



# TVM 7675 (PRO) Series

## Full Installation Guide

Everything you need to get your TV safely on the wall, in no time

### Before you start

...we just wanted to say thanks for choosing Vogel's. Smart choice.

And you're already making another smart choice – reading the manual! Keep reading to learn all about safe, efficient installation, and how to use your new mount.

# Stay safe



## Warning

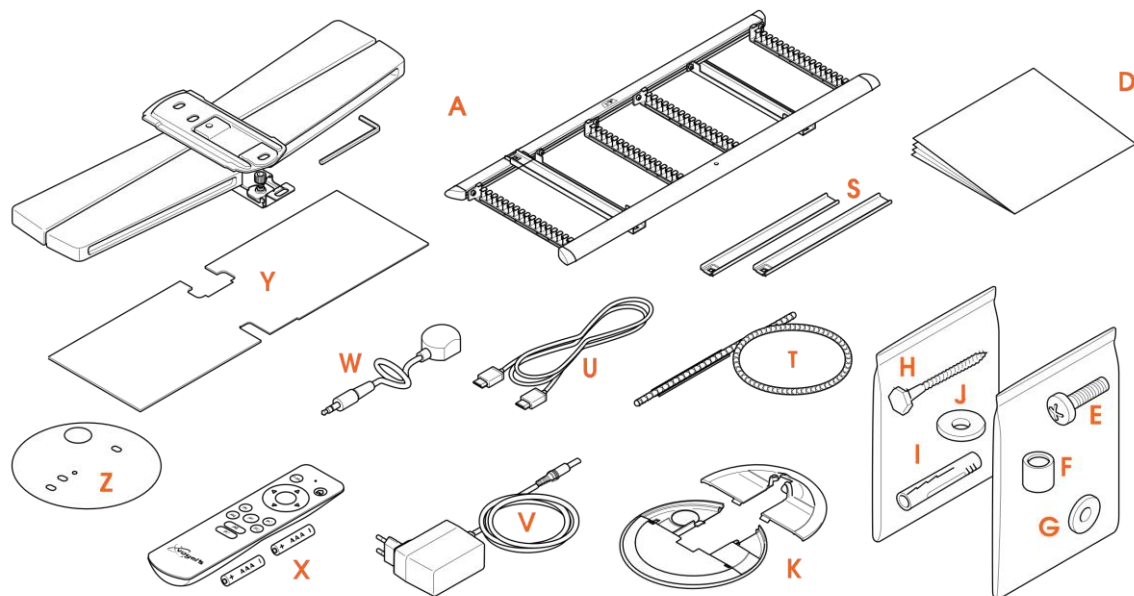
Always read these safety instructions carefully before installing and using this product.

Following these instructions is strictly required. Incorrect mounting and/or installation could put you, your TV, and your family at substantial risk.

## Don't dare risk it... Read all

- Vogel's recommends that the mounting and/or installation of this product should be carried out by a suitably qualified expert.
- Vogel's cannot be held responsible for any injury and/or damage caused by incorrect installation.
- Please consult the manual for your TV and ensure that the weight and size of the TV is within the maximum weight and size limits specified for this product, and that the TV mounting bolts used are of a suitable length and diameter. Note that not all the TV mounting accessories provided are required for the installation of any one TV.
- The wall mounting accessories provided are exclusively intended for installation on walls made of solid brick, solid concrete or solid wood columns.
- Any material covering the wall must not exceed 3 mm/ 0.12 inch.
- For mounting on walls made of other materials, such as hollow bricks, wood panels or plasterboard, please consult your installer and/or specialist supplier.
- Clean the product with a dry, lint-free cloth. Do not use detergents or other solvents to clean the product.
- Only qualified, certified personnel may repair the product. Use only original spare parts. The use of other parts will result in voiding the warranty, and could lead to injuries.
- Alterations to the product and technical modifications are not permitted. This will void the warranty, and could lead to injuries.
- Always store the product in a dry and safe place with a temperature between -10°C to +50°C.
- Handle and transport the product with care.
- Repack the product when transporting or not using it for a longer period of time.

# What's in your box?



- Something missing? Make sure your packaging has everything in place:
  - A. Wall mount, with interface attached
  - D. Safety instructions
  - E. Bolts for fastening strips on TV (see contents below)
  - F. Spacers
  - G. Washers  $\varnothing$  26mm
  - H. Screws
  - I. Plugs
  - J. Washers  $\varnothing$  26mm
  - K. Wall plate cover
  - S. Interface extension strips
  - T. Cable sleeve
  - U. HDMI cable – 2m
  - V. Power cable and adaptor including international socket attachments
  - W. Infra-red receiver
  - X. Infra-red remote control – including 2x AAA batteries
  - Y. Interface cover
  - Z. Drilling template

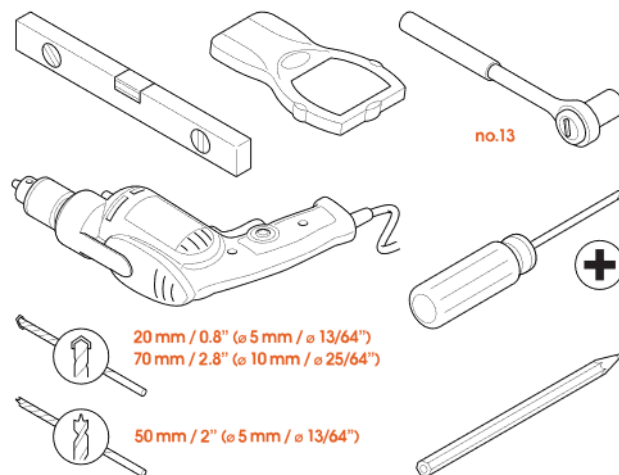
- Contents of the TV fasteners kit:

- 4x M6x12mm
- 4x M6x25mm
- 4x M6x35mm
- 4x M8x12mm
- 4x M8x25mm
- 4x M8x45mm
- 4x M6x18mm washer
- 4x spacer 10mm
- 4x spacer 5mm



Need a long HDMI cable? Or a Cable Cover to hide your wall cables? Visit us online and order the right accessories directly through our website.

# Got your tools ready?



- Don't start without all the necessary tools:
  - Spirit level
  - Stud finder
  - Socket wrench no.13
  - Crosshead screwdriver
  - Drilling machine
  - For stone walls:
    - 20 mm / 0.8" (∅ 5 mm / ∅ 13/64") masonry drill bit (for predrilling)
    - 70 mm / 2.8" (∅ 10 mm / ∅ 25/64") masonry drill bit
  - For wooden walls:
    - 50 mm / 2" (∅ 5 mm / ∅ 13/64") wood drill bit
  - Pencil

# Take care of your safety




- Who cares about looking cool? Always wear personal protective equipment:
  - Eye protection
  - Ear protection
  - Safety shoes

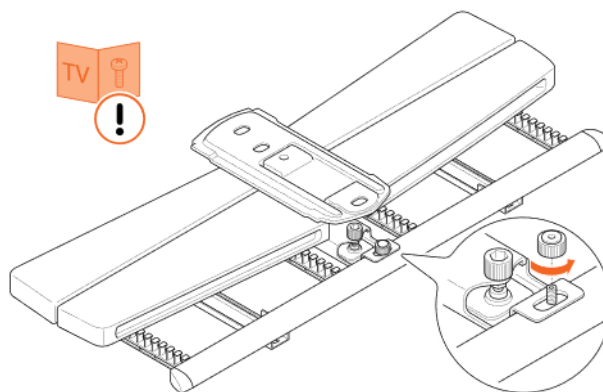


Lifting your TV is a two-person job. Don't be bold!

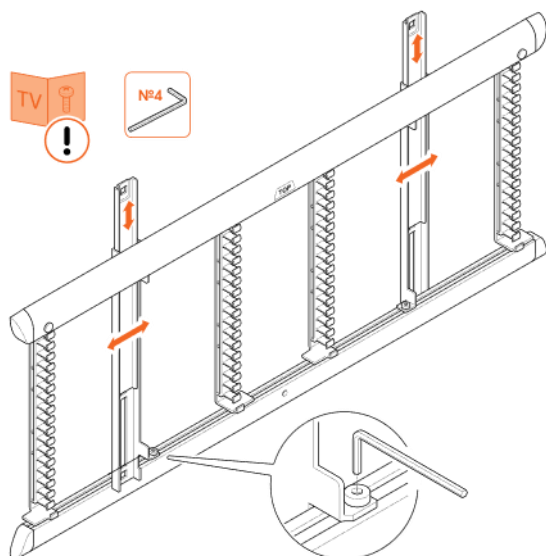
## Ready... set... get installing!

### Step 1: Attach the interface to the TV

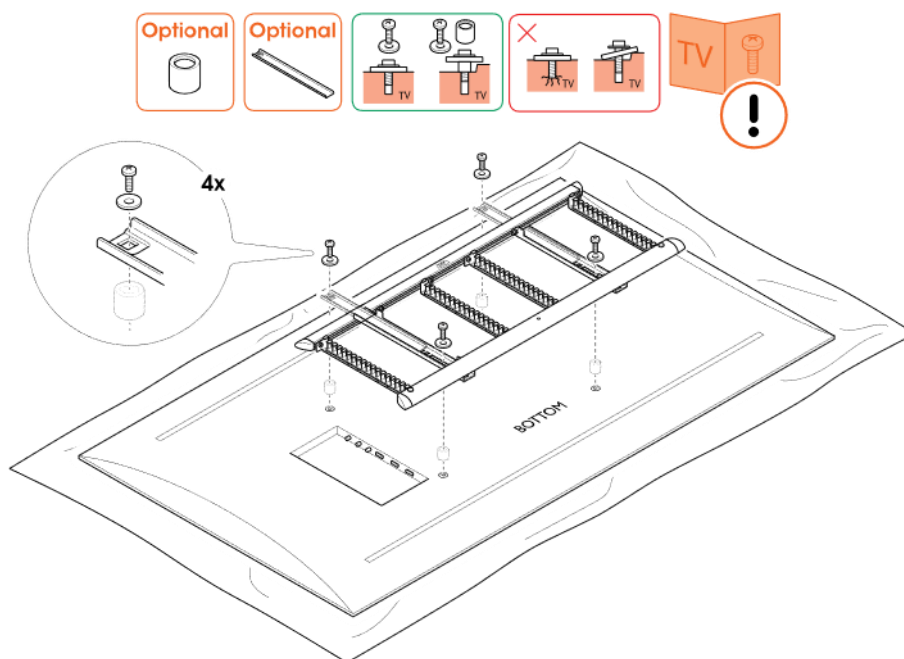
1. Carefully place the **wall mount**  with the attached **interface**, and the TV face down on a clean surface without any obstacles.



2. Remove the **thumbnut** and detach the **wall mount**  from the **interface**. Keep the **thumbnut** for later use.



3. Check the mounting holes on the TV screen. Adjust the dimensions of the **interface** accordingly, after loosening the **pre-attached bolts** with the **Allen key**.
4. Additionally, **interface extension strips** ⑤ can be inserted into the top or bottom side of the vertical strips to increase the height of the **interface**. Make sure both **interface extension strips** ⑤ are at the same height and do not stick out.



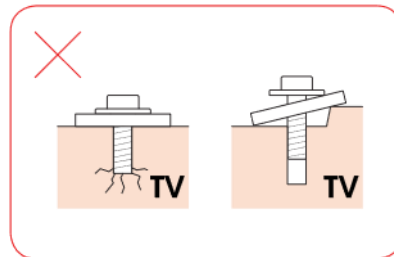
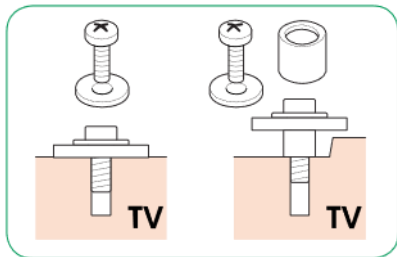
5. Attach the **interface** to the TV screen with the **bolts** ⑥ and **spacers** ⑦. Make sure the top side of the frame is positioned correctly, as indicated by the word 'top' on the **interface**.
6. After adjusting the dimensions of the **interface**, make sure to tighten the **pre-attached bolts** with the **Allen key**.



Are you missing any bolts? Or need different ones? The friendly team at Vogel's Consumer Care are waiting to help: [vogels.com/contact](https://www.vogels.com/contact)



Make sure bolts and spacers are positioned correctly.



Refer to the user manual of your TV for the correct mounting material.



## Step 2: Attach the wall mount to the wall

How well do you know your walls? What they're made of matters more than you think...

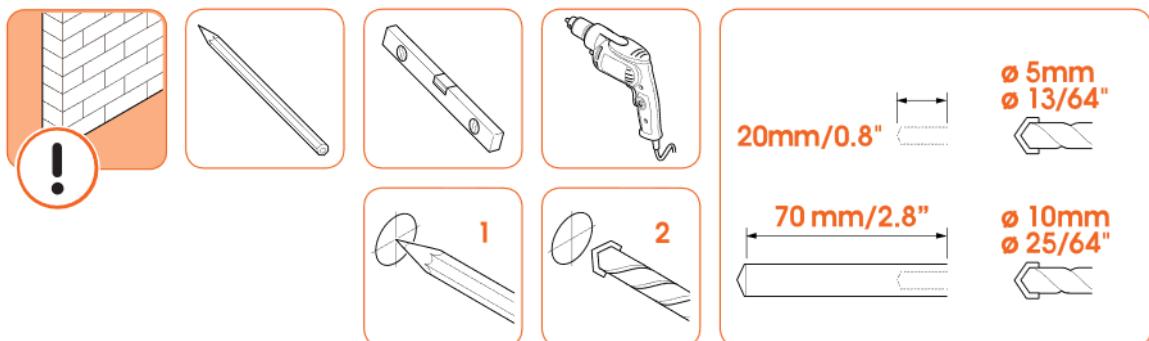
### Concrete / Brick wall



If you are mounting your TV screen onto a wooden wall, please follow the instructions in the *Wooden wall* section.

For this step you will need:

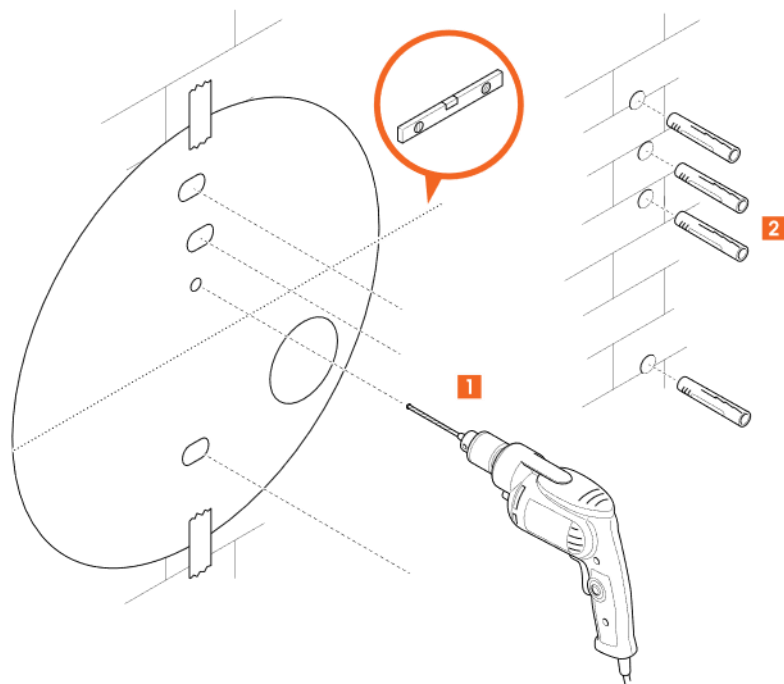
- Drilling template ②
- Drilling machine
- 20 mm / 0.8" (∅ 5 mm / ∅ 13/64") masonry drill bit (for predrilling)
- 70 mm / 2.8" (∅ 10 mm / ∅ 25/64") masonry drill bit
- The contents of the wall mounting kit ④ ① ③
- Spirit level
- Pencil



1. Determine where to mount your TV screen.

Use the **drilling template** ② to mark the correct position on the wall if you're using the TVA 7000 cable column or if the connecting cables protrude from the wall. The **drilling template** ② can be found on the back of the inlay card provided in the package.

In other situations, download and use our free DrillRight™ AR App to find the perfect mounting height and mark the first drilling hole. Always use the **drilling template** ② to mark the other drill holes.



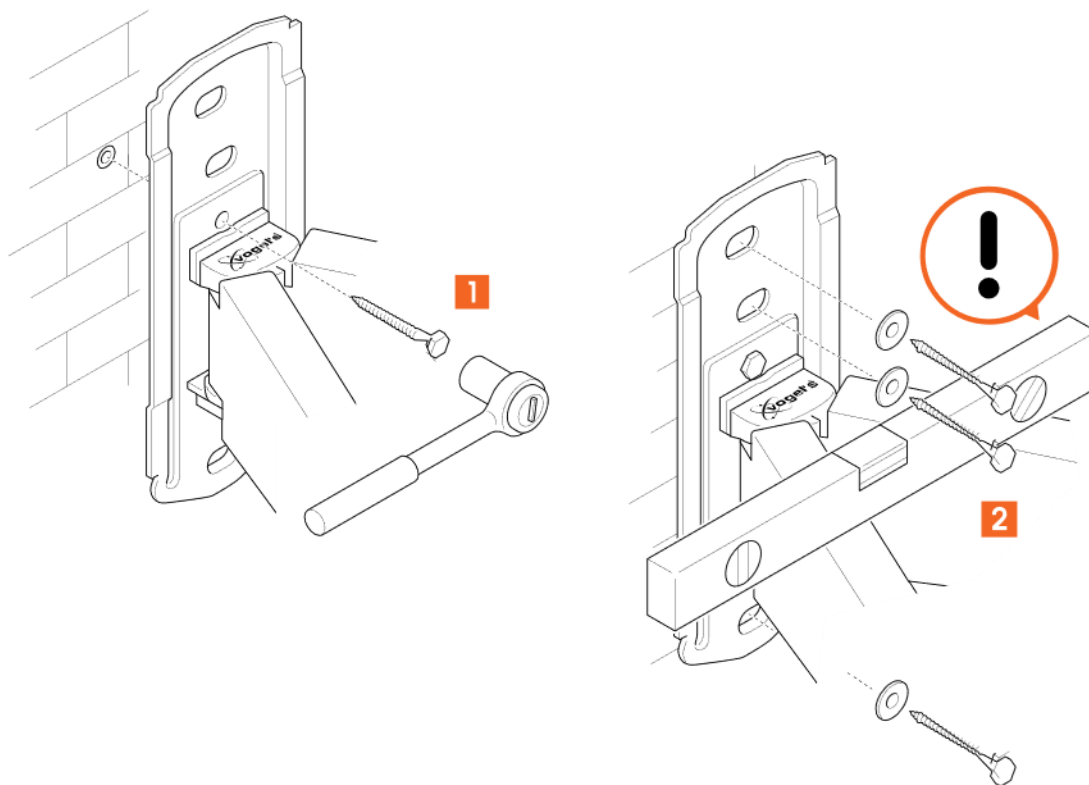
2. Drill the holes. Make sure to drill the positioning hole first.
3. Put the **plugs** ① in the holes.



How deep do you drill? Check the length of the **screw** (not the plug!) to find the right depth – this stops things from breaking.



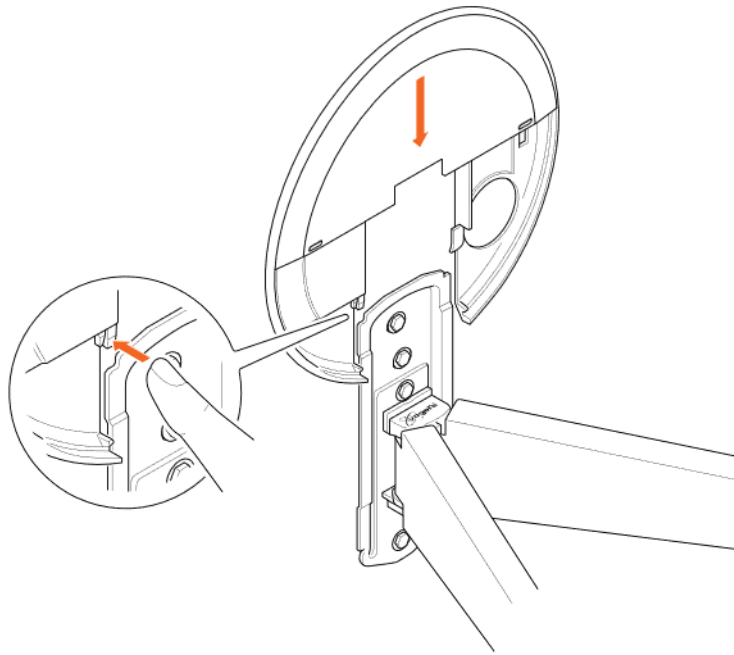
The cable hole should only be used to lead cables that come out of the wall through the wall mount. Do not use the cable hole to attach the wall mount to the wall.



4. Attach the wall mount to the wall while making sure to:
  - a. begin with the hole directly above the Vogel's logo on the **wall mount** Ⓐ
  - b. use the spirit level to level the wall mount
  - c. attach the **wall mount** Ⓐ to the wall with the provided **screws** Ⓜ and **washers** Ⓝ



Lubricate the screws for easy screwing in.



5. Slide the **wall plate cover** (K) onto the **wall mount** (A). To remove the cover plate, press the left tab and slide it off the wall mount.

## Wall with wooden studs



If you are mounting your TV screen onto a concrete/brick wall, please follow the instructions in the Concrete/Brick wall section.

For this step you will need:

- Drilling template (Z)
- Drilling machine
- 50 mm / 2" (∅ 5 mm / ∅ 13/64") wood drill bit
- The contents of the wall mounting kit (H) (J)
- Spirit level
- TVA 6950 Stud adapter (optional, available on [www.vogels.com](http://www.vogels.com))

- Stud finder
- Pencil

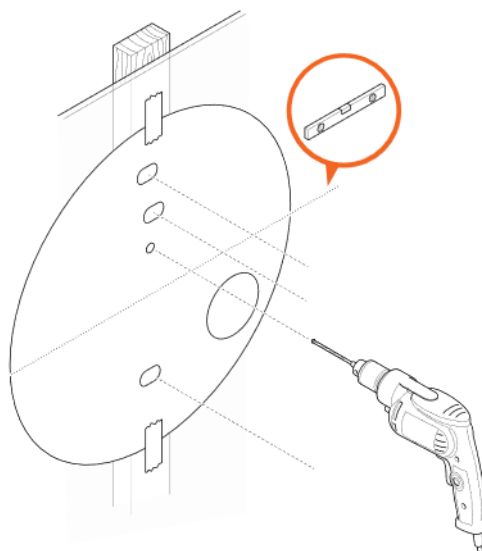


Don't just guess! The wall mount must always be attached to the studs. Always use a stud finder to determine the position of studs. Don't destroy your belongings!

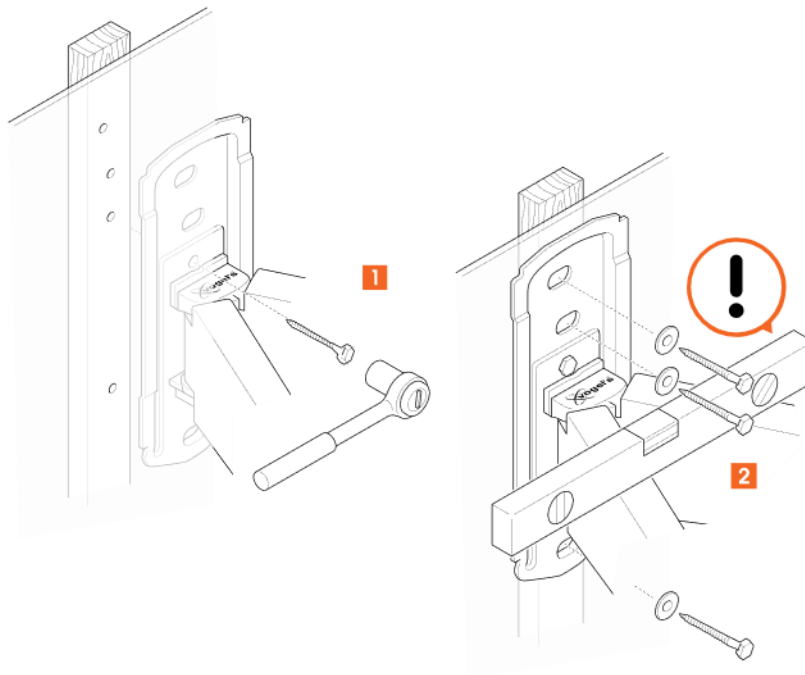
1. Determine where to hang your TV screen.

Use the **drilling template** ② to mark the correct position on the wall if you're using the TVA 7000 cable column or if the connecting cables protrude from the wall. The **drilling template** ② can be found on the back of the inlay card provided in the package.

In other situations, download and use our free DrillRight™ AR App to find the perfect mounting height and mark the first drilling hole. Always use the **drilling template** ② to mark the other drill holes.



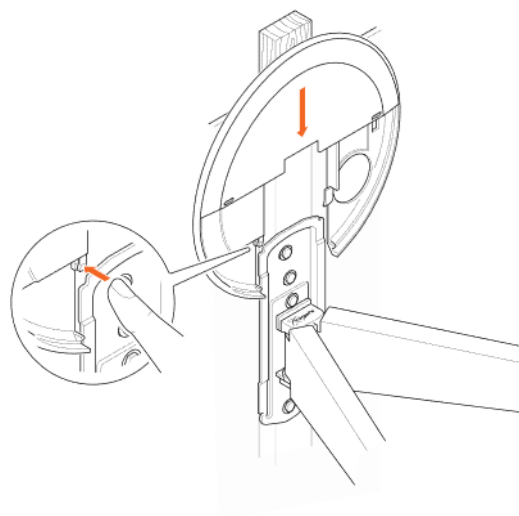
2. Now for the fun part... drilling the holes. Make sure to drill the positioning hole first.



3. Attach the wall mount to the wall while making sure to:
  - a. begin with the hole directly above the Vogel's logo on the **wall mount** Ⓐ
  - b. use the spirit level to level the wall mount
  - c. attach the **wall mount** Ⓐ to the wall with the provided **screws** Ⓗ and **washers** Ⓙ



Lubricate the screws for easy screwing in.



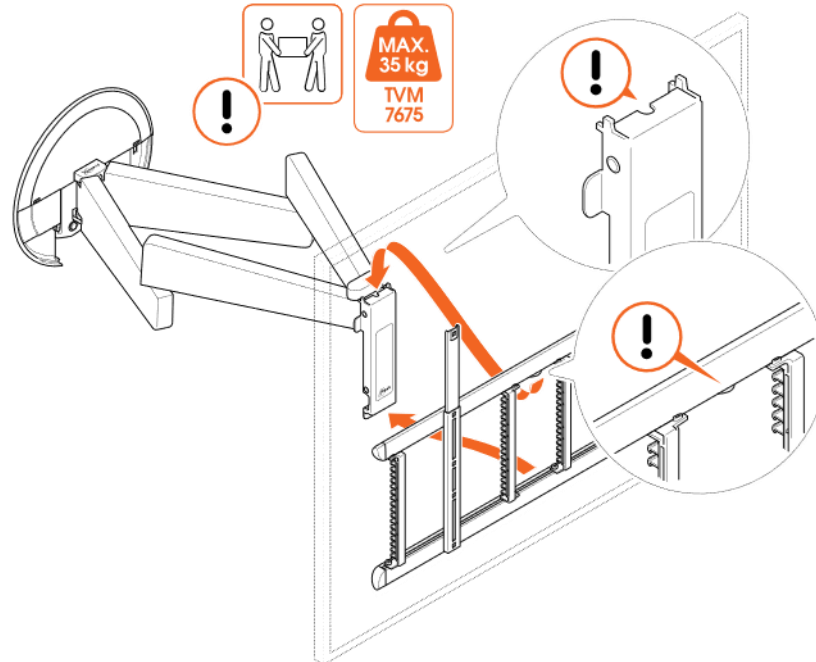
- Slide the **wall plate cover** (K) onto the **wall mount** (A). To remove the cover plate, press the left tab and slide it off the wall mount.

## Other wall type / I don't know my wall type



If your wall is a little special – for example, hollow bricks, metal stud walls, wood panels or plasterboard – or you simply aren't sure, don't worry! Just ask your Vogel's Consumer Care team at [www.vogels.com/contact](http://www.vogels.com/contact).

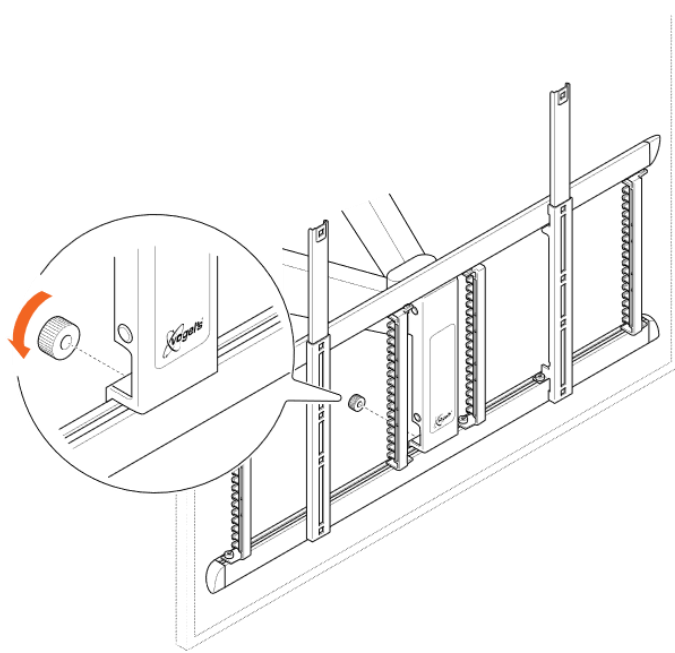
## Step 3: Attach the TV to the wall mount



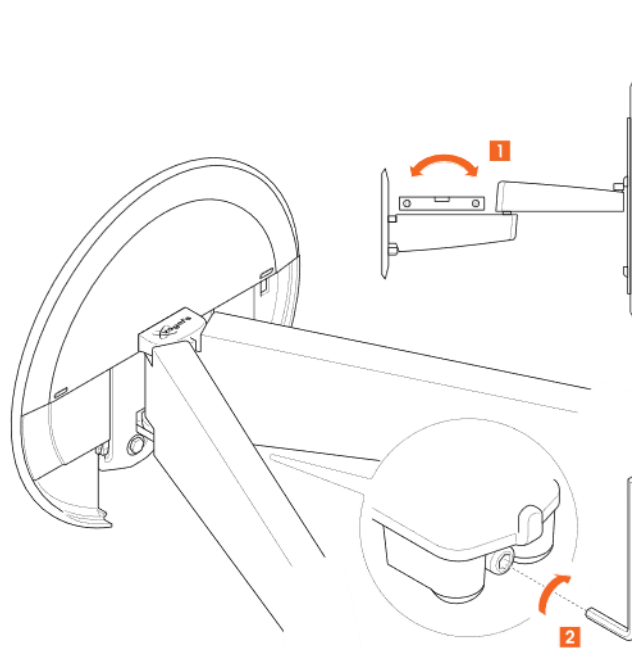
- Carefully lift and attach the TV onto the interface bracket on the **wall mount** (A). Make sure the plug on the interface falls into the notch on the wall mount.



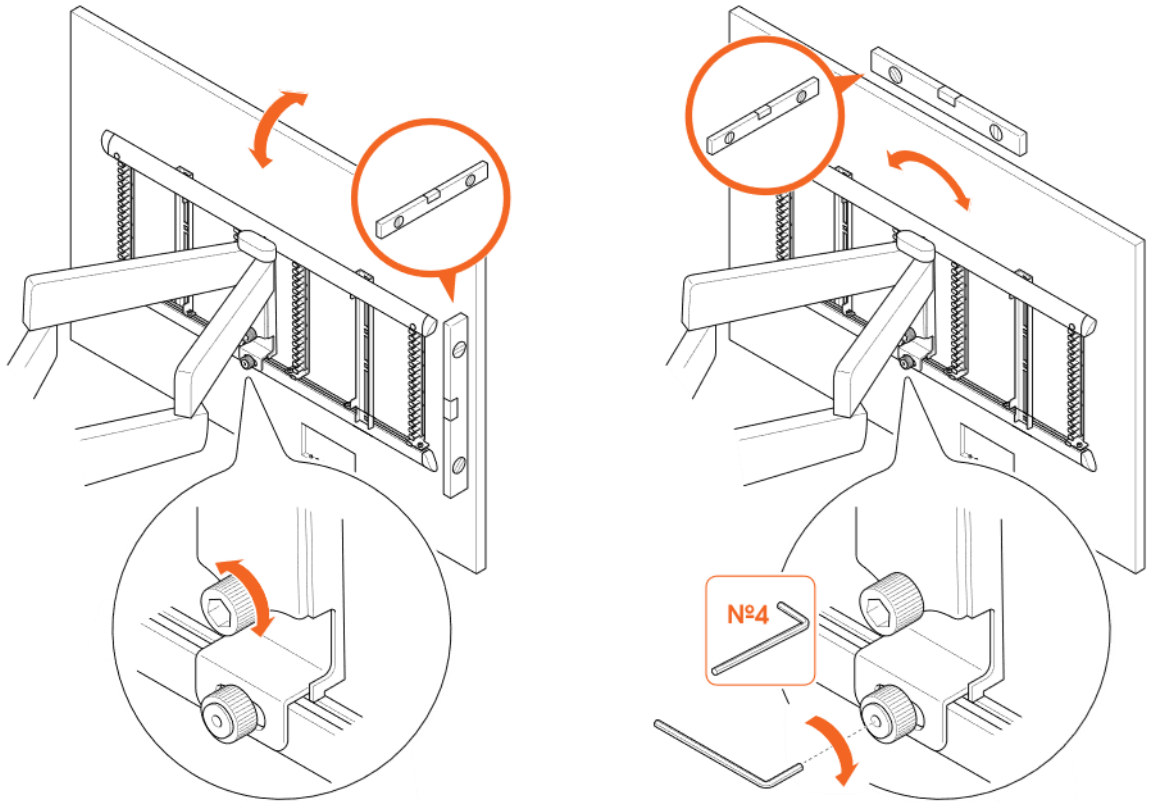
Lifting your TV is a two-person job. Don't be bold!



2. Secure the interface to the **wall mount** with the saved **thumbnut** from step 1.





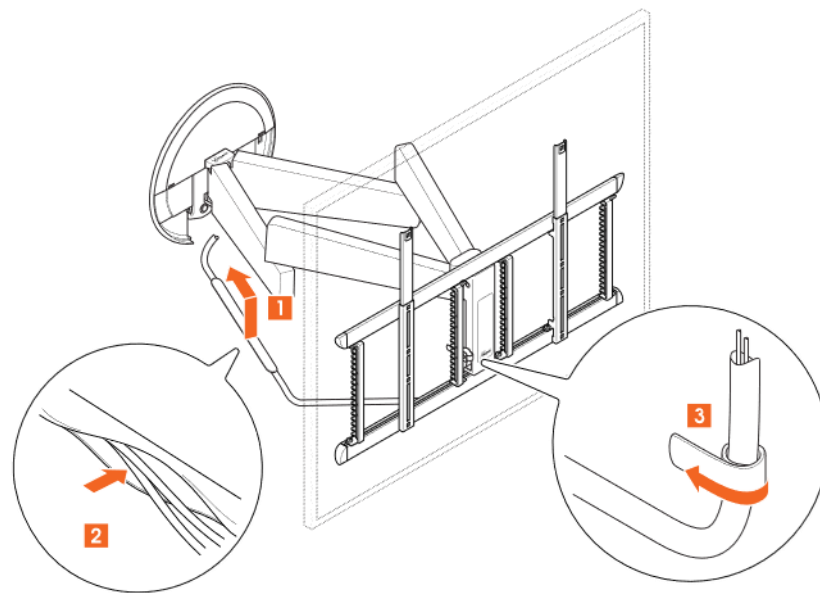


3. Level the **wall mount** and the TV screen. Use a spirit level and the **Allen key** to correct the position. Tighten the **thumbnut** and the **thumb bolt** with the **Allen key** when finished.

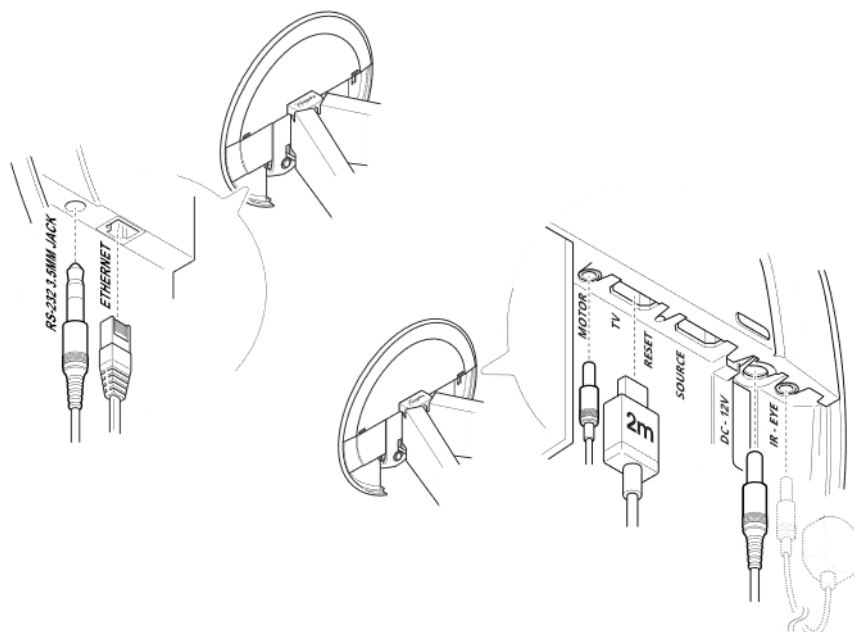


The wall mount and TV must be leveled vertically and horizontally before using the wall mount!

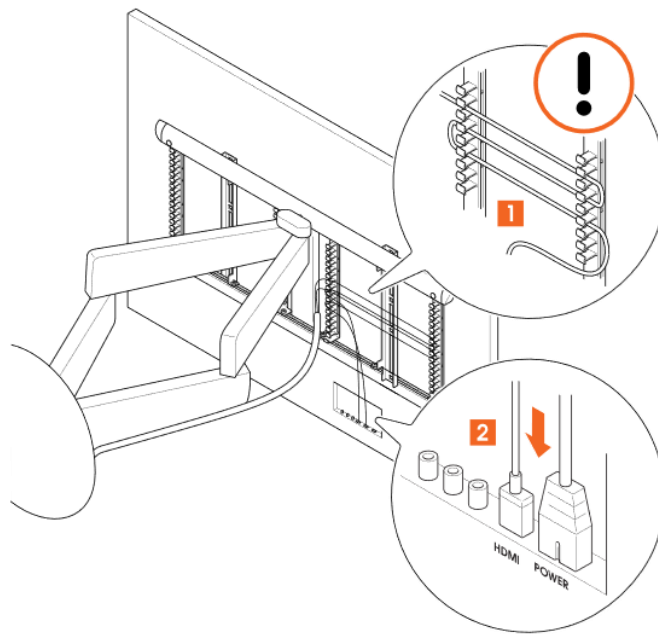
## Step 4: Attach the cables to the wall mount



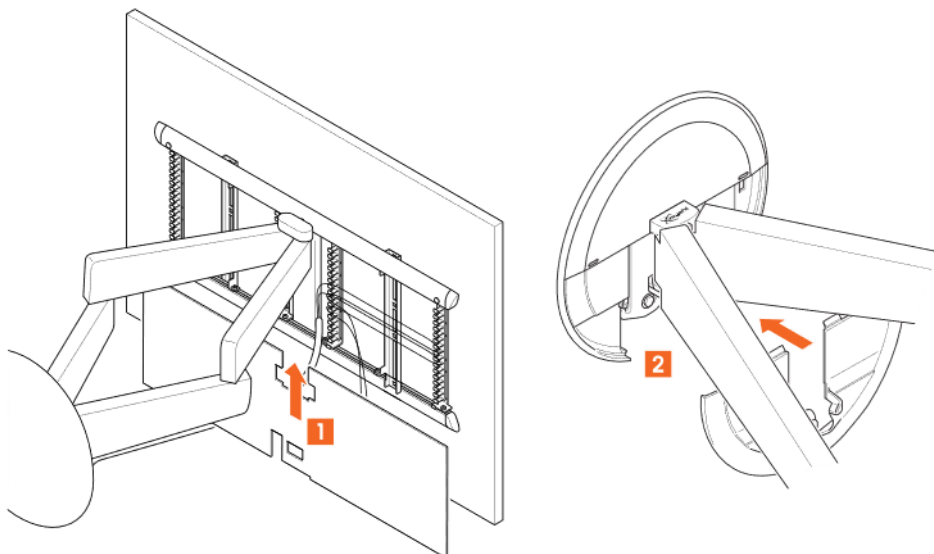
1. Attach the **cable sleeve** ① to the **wall mount** ②, by sliding it into the holes on the bottom side of the right arm.
2. Put the TV power cable and the provided **HDMI 2.0 (2 meter)** cable into the **cable sleeve** ①. Note that if you use a connectbox you need a **4.5 meter HDMI cable** (available on [www.vogels.com](http://www.vogels.com), art. no. 999985).
3. Secure one end of the **cable sleeve** ① to the frame by using the velcro strip.



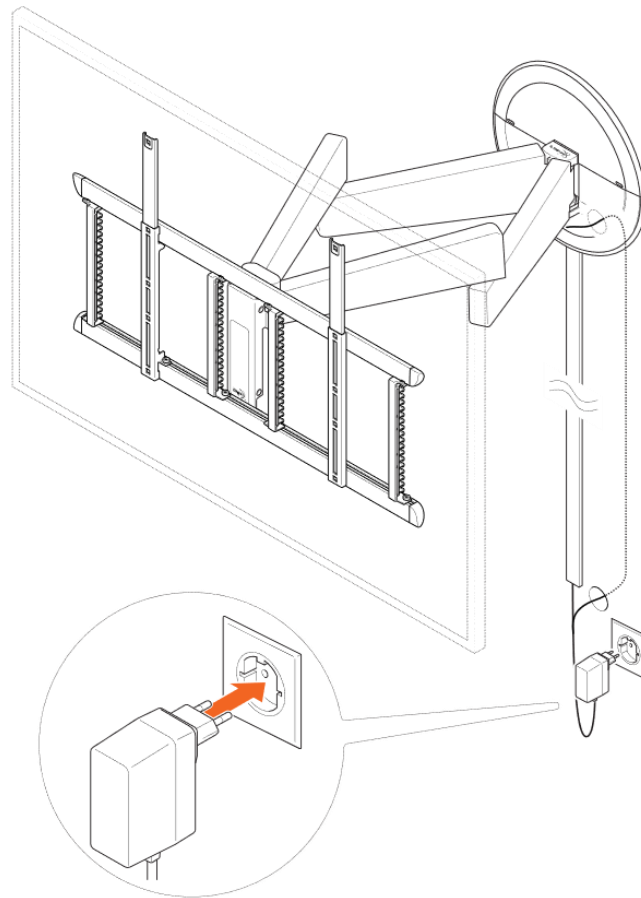
4. Connect the following cables to the wall mount:
  - a. Internal motor cable (attached to the bottom side of the wall mount arm)
  - b. HDMI 2.0 (2 meter) cable
  - c. Power adapter cable
  - d. Infra-red eye cable (optional, when using the remote control)
  - e. RS-232 3,5 mm Jack (TVM 7675 PRO only; cable not included)
  - f. Ethernet cable (TVM 7675 PRO only; cable not included)



5. Connect the power cable and the **HDMI 2.0 (2 meter) cable** to the TV. Make sure all other cables are neatly stowed away by using the vertical cable clip strips on the interface.



- Put the **wall plate cover** (K) onto the wall mount and the **interface cover** (Y) onto the back of the interface.



- Connect the **power cable** (V) to the power outlet.
- Your MotionMount is now ready to be used!



Need a long HDMI cable? Or a Cable Cover to hide your wall cables? Visit us online and order the right accessories directly through our website.

## Step 5: Connect to the MotionMount SIGNATURE app

The Vogel's MotionMount SIGNATURE app functions as a remote control for the Vogel's TVM 7675 (PRO). It features:

- 7 memory positions for your TV
- Automatic motion management
- Analysis & support
- Sliders for forward/backward and left/right motion

### Set-up the MotionMount SIGNATURE app

1. Make sure your MotionMount is connected to your TV with the provided HDMI cable and that HDMI-CEC is enabled on your TV.



Automatic operation of the MotionMount when the TV is turned on or off is controlled by the HDMI (CEC) setting on the TV.

Note that some TV manufacturers have different names for HDMI-CEC:

- Samsung – AnyNet(+)
  - Sharp – Aquos Link
  - Sony – BRAVIA Link and/or BRAVIA Sync
  - Toshiba – CE-Link and Regza Link
  - LG – SimpLink
  - Panasonic – HDAVI Control, EZ-Sync and VIERA Link
  - Phillips – EasyLink
2. Download and install the MotionMount SIGNATURE app to your tablet or smartphone in the Google Play Store (Android) or Apple App Store (iOS). Make sure you are always using the latest version of the app.

## Configure your MotionMount

1. Open the MotionMount SIGNATURE app.  
Make sure Bluetooth® is activated on your tablet or smartphone.
2. Select the desired MotionMount.  
The MotionMount SIGNATURE app connects to the selected MotionMount.
3. Follow the set-up procedure to configure your new MotionMount.
4. Add presets by using the **Remote Control button** or the **(+) symbol** from the main menu of the selected MotionMount.
5. Edit the options of a preset by using the **(...) symbol** on the presets panel.  
Pro tip: iOS users can create a Siri command for even greater convenience!

## Manage your settings

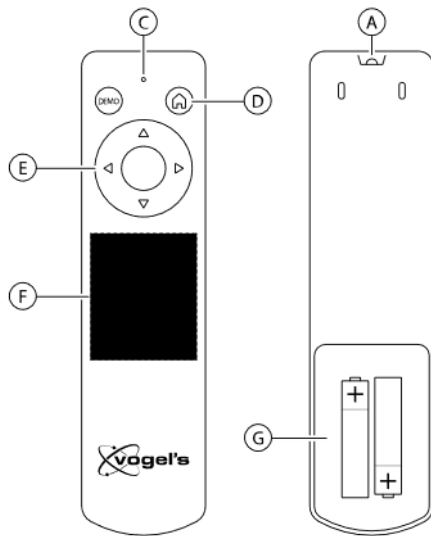
To access and manage your settings choose **Settings** from the main menu of the selected MotionMount. From this menu you can:

- Change the name of your MotionMount
- Remove your MotionMount
- Change the configuration of your MotionMount
- Change the HDMI settings
- Manage access to your MotionMount
- Receive support for your MotionMount

## Step 6: Set up the remote control

The infrared remote control (IRC) is specially designed for Vogel's TVM 7675 (PRO). It features:

- 7 memory positions for your TV that match the preset positions in your MotionMount SIGNATURE app
- a home button to bring the MotionMount into a safe position against the wall
- a 4-way touchpad for forward/backward and left/right motion



- A. IR transmitter
- 2. Demo button
- 3. Red LED
- 4. Home button
- 5. 4-way touchpad
- 6. Preset buttons 1-7
- 7. Battery compartment for 2x AAA

To set up the IRC:

1. Connect the provided **infrared eye cable** to your TV. Make sure its **infrared eye** is in view.
2. Put the 2 AAA batteries in the battery compartment of the IRC.

To configure a memory position:

1. Put the MotionMount to the preferred position using the **4-way touchpad** on the IRC.
2. Push and hold one of the seven **preset buttons** (P1-P7) for 5 seconds.

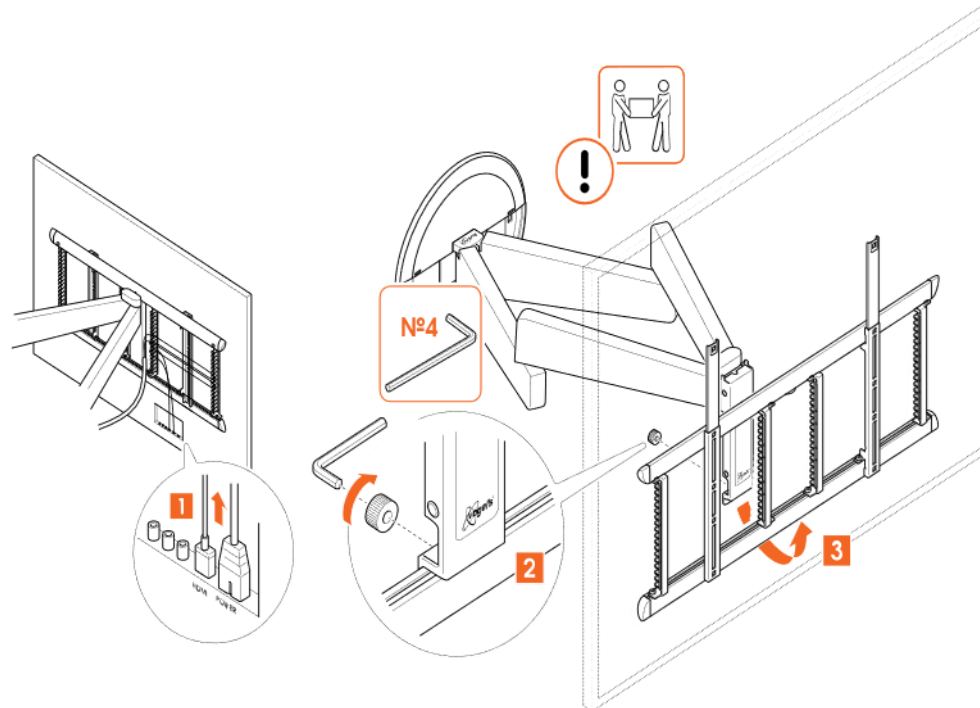
#### Precautions concerning batteries

- When the remote control is not going to be used for a long time, remove the batteries from the remote control to prevent them from leaking.
- If the batteries leak, wipe away the leakage inside the battery compartment and replace the batteries with new ones.
- Do not use any batteries other than those specified.
- Do not heat or disassemble batteries.
- Never throw them in fire or water.
- Do not carry or store batteries with other metallic objects as this may cause the batteries to short-circuit, leak or explode.
- Never recharge a battery unless it is confirmed to be rechargeable.

#### WEEE disposal instructions

Do not dispose of this remote control or its batteries with unsorted household waste. Improper disposal may be harmful to the environment and human health. Please refer to your local waste authority for information on return and collection services in your area.

# Removing your TV



1. Remove all cables from your TV and **interface**.
2. Remove the bottom thumbnut from the **interface**.
3. Lift your TV off of the **interface** bracket, and put it down somewhere safe.



Again, lifting your TV is a two-person job. Always get help.



# Overview of LED states

If the MotionMount is	The status light
On	Is green
Off	Is off
In an error condition	Is red
Accepting a command from the infrared remote	Flashes once
Accepting a 'store preset' command from the infrared remote	Flashes 2 times
Rejecting a command from the infrared remote	Flashes 5 times
Identifying itself	Pulsates green
Applying a firmware update	Pulsates red
Waiting in the bootloader	Is greenish white
Receiving a firmware update	Is purplish
Preparing for reset	Is yellow
Preparing for a network reset	Flashes slowly in yellow
Preparing for a factory reset	Flashes quickly in yellow
Wholly missing a bootloader and firmware	Is faint red

Note: After connecting and switching on the MotionMount for the first time, it is possible that the LED will pulsate red for about 15 seconds. This is the case if a firmware update has become available in the meantime. The firmware is then updated. After this the LED should glow green.

# Technical specifications

	BLE	WiFi (2.4 GHz)
Frequency	2402-2480 MHz	2412-2472 MHz
Power output	-0.4 dBm	19.98 dBm
Antenna gain	2 dBi	3.7 dBi



Please keep separation distance between the antenna and human body of at least 20cm. Operation is prohibited while within this range of exposure.

## Tell us how you feel!





Your opinion matters more than you might think. It helps us make better products, and helps other customers make informed choices.

Share your feedback, and sign up to win Vogel's products!

Simply visit [vogels.com/review](https://vogels.com/review) for sharing or the Terms and Conditions.

# Confused? Unsure? Going crazy?

There's plenty of help waiting for you, online:

	<p><a href="mailto:info@vogels.com">info@vogels.com</a>  <a href="http://www.vogels.com/contact">www.vogels.com/contact</a></p>
	<p><a href="https://facebook.com/VogelsForSure/">facebook.com/ VogelsForSure/</a></p>
	<p><a href="https://instagram.com/vogels_official/">instagram.com/ vogels_official/</a></p>
	<p><a href="http://www.youtube.com/c/VogelsForSure">www.youtube.com/ c/VogelsForSure</a></p>

## Troubleshooting

Found a problem you can't fix? Don't panic... try these!

Problem	Cause	Solution
<p>I don't have the right bolts for my TV!</p>	<p>The world of TV technology is always changing – it can be hard to keep up sometimes. So, it might be the case that the correct bolt size is not included... you're just too advanced!</p>	<p>Just ask Vogel's Consumer Care to request a service kit, and we'll send everything you need. <a href="#">Click here</a> to contact Vogel's Consumer Care.</p>



<p>The MotionMount does not return all the way to the wall and/or does not turn completely to the desired position. What is the problem?</p>	<ul style="list-style-type: none"> <li>• The cable sleeve is not properly installed.</li> <li>• The wall to which the MotionMount is mounted is not perpendicular.</li> <li>• The TV has not been specified</li> </ul>	<ul style="list-style-type: none"> <li>• Install cable sleeve according to the mounting instructions and make sure that all cables to the TV are routed through the cable sleeve.</li> <li>• Any slope to the wall must not exceed half a degree. If the wall is sloped more than half a degree, the mount must still be suspended vertically. This can be done by setting the slanted wall correction mechanism in the wall plate of the MotionMount. See mounting instructions.</li> <li>• In case the correct TV has not been specified (or correct TV width has not been entered during installation/onboarding in the MotionMount app), the turn angle could be limited.</li> </ul>
<p>The automatic movement of the MotionMount when turning on and off the TV is not working. What is the cause of this?</p>	<p>The HDMI socket in the wall plate is not connected to one of the HDMI sockets on your TV.</p>	<p>This connection is necessary to make the Automatic movement feature work (via HDMI-CEC). And further it is necessary that the HDMI-CEC (Consumer Electronics Control) function is activated in the setup menu of your TV. This function has different name for each TV brand: Anynet+ (Samsung), Aquos Link (Sharp), Bravia Link / Bravia Sync (Sony), CE-Link / Regza Link (Toshiba), Simplink (LG), HDAVI Control / EZ-Sync / VIERA Link (Panasonic), EZ-Sync (JVC), Easylink (Philips), Netcommand (Mitsubishi), Digital Link HD (Loewe).</p> <p>If all works well, when the TV is turned on/off, the LED in the wall plate will flash twice when the MotionMount detects that the TV is turned on, and will flash 3 times when the TV is turned off. Given the latency of HDMI-CEC, this may take a while.</p>



<p>I bought the MotionMount Bluetooth remote control (article number 999965) in the Vogel's webshop, but it is not working with my SIGNATURE MotionMount. What should I do?</p>	<p>The name of your MotionMount in the MotionMount app is not correct.</p>	<p>The Bluetooth remote control can only work with the SIGNATURE MotionMount in case the MotionMount name is Vogel's MotionMount. You can change the name of your MotionMount in the MotionMount app: Presets &gt; Settings &gt; Change MotionMount Name &gt; change to: "Vogel's MotionMount"</p>
<p>The MotionMount does not turn the full range of 120°. What is the matter?</p>	<p>To prevent the TV from hitting the wall, the MotionMount is set at the factory for the largest TV allowed (77 inch TV with width of 170 cm)</p>	<p>As a result, the total angle of rotation is less than 120 degrees. By specifying the correct TV (or entering the correct TV width) during installation/onboarding in the app, the angle of rotation will increase (up to 120 degrees for screens of 65 inches and smaller).</p>

In case of other issues / questions, please contact: [consumercare@vogels.com](mailto:consumercare@vogels.com)

## FAQs

<p>Where can I request the correct bolts for my TV (a service kit)?</p>	<p>Whatever you need, simply contact your local Vogel's dealer or Vogel's. <a href="#">Click here</a> to contact Vogel's Consumer Care.</p>
<p>Where can I find installation videos?</p>	<p>Click or tap the button on the front page of this manual. The installation video can be found at the product page of your product on our website. It can also be found on our YouTube channel: <a href="http://www.youtube.com/c/VogelsForSure">www.youtube.com/c/VogelsForSure</a></p>
<p>What if I need spare parts?</p>	<p>If you require a spare part, please contact your local dealer or Vogel's. <a href="#">Click here</a> to contact Vogel's Consumer Care.</p>
<p>Where can I find the drilling template?</p>	<p>The drilling template is printed on the inlay card in the box. You can cut it out for your convenience.</p>

<p>How high do I need to hang my TV?</p>	<p>The centre of your TV should ideally be positioned at eye level, while seated. Download and use the free <a href="#">DrillRight™ AR app</a> to determine the height of the TV and to mark the first hole.</p>
<p>How high do I need to hang my TV in case of a tilt mount?</p>	<p>When a wall mount with tilt function is used, your TV can be mounted above eye level.</p>
<p>Which bolts or screws do I need to use?</p>	<p>Vogel's offers a complete assembly kit with all mounting materials included in the box, for both your TV and wall. Vogel's offers a complete assembly kit with all mounting materials included in the box. Do you miss the correct bolts for your TV? Please contact your local Vogel's dealer. <a href="#">Click here</a> to contact Vogel's Consumer Care.</p>
<p>Why do you use Fischer® plugs?</p> <p>What is VESA?</p>	<p>The Fischer® DuoPower plug is widely regarded as the best standard in plugs. Don't settle for less!</p> <p>VESA is a standard pattern of mounting location holes on the back of a TV which allows many standard TV mounts to be easily fitted to your TV.</p>
<p>What is the minimum screen size of the TV in combination with the wall mount?</p> <p>What is the maximum screen size and weight of the TV in combination with the tv wall mount?</p>	<p>The minimum screen size is 40 inch (102 cm).</p> <p>The maximum screen size is 77 inch (196 cm) and maximum weight is 35 kg (77 lbs). The Electronic Screen Protection System (ESPS®) prevents your TV bumping onto the wall.</p>
<p>Does this product have a tilt function?</p> <p>Can the DesignMount TVM 7655 be upgraded to MotionMount?</p>	<p>There is no tilt in this product.</p> <p>No, that's not possible.</p>



<p>What is the guarantee of this wall mount?</p>	<p>Vogel's gives you a lifelong guarantee for defects in materials and manufacturing of the wall mount. The guarantee is 2 years for the motor units and electronics.</p>
<p>What is the standby power consumption of this wall mount?</p>	<p>The standby power consumption is less than 0.5 Watt.</p>
<p>Is it possible to turn the TV manually ('manual override')?</p> <p>What is the maximum turn angle?</p>	<p>Yes, it is possible to turn the TV manually.</p> <p>The maximum turn angle is 120° (2x 60°).</p>
<p>What is the maximum distance the TV can move from the wall?</p> <p>Is there any risk for trapping, squeezing or injury to people while the mount is moving automatically?</p> <p>Is there also a special OLED version of the MotionMount?</p>	<p>The maximum distance from the wall is 72 cm.</p> <p>The integrated slip-hinge and electronic protection circuit (which switches off the motors in case of too much friction), pinching will be prevented.</p> <p>No, there is no dedicated OLED version. The VESA interface is also optimized for OLED.</p>
<p>Do I need to adjust settings to my TV after installation?</p>	<p>Yes. To make the Automatic movement feature working, it is important that the HDMI-CEC (Consumer Electronics Control) function is activated in the setup menu of your TV. This function has different name for each TV brand: Anynet+ (Samsung), Aquos Link (Sharp), Bravia Link / Bravia Sync (Sony), CE-Link / Regza Link (Toshiba), Simplink (LG), HDAVI Control / EZ-Sync / VIERA Link (Panasonic), EZ-Sync (JVC), Easylink (Philips), Netcommand (Mitsubishi), Digital Link HD (Loewe).</p>

<p>Do I need to connect my TV to the MotionMount?</p>	<p>Yes. To make the Automatic movement feature working, an HDMI cable needs to be connected between the HDMI connector in the wall plate of the MotionMount and one of the HDMI connectors of your TV. A 2m HDMI cable is included in the MotionMount packaging.</p>
<p>Can I use the MotionMount in combination with a TV with 'connect box' (f.e. Samsung TV with One Connect Box)?</p>	<p>Yes, the MotionMount can be used with TV and connect box. Vogel's offers a 4,5m thin white colored HDMI cable which can be connected between the HDMI connector in the wall plate of the MotionMount and one of the HDMI connectors of the TV connect box. This long HDMI cable is available in the Vogel's Webshop (Vogel's article number 999985).</p>
<p>Is the MotionMount provided with a remote control?</p>	<p>Yes. An infrared remote control is included in the packaging of the MotionMount. The MotionMount can also be controlled by Bluetooth remote control. This Bluetooth remote control is available in the Vogel's Webshop (Vogel's article number 999965).</p>
<p>Which devices support the SIGNATURE MotionMount app?</p>	<ul style="list-style-type: none"> <li>• Apple iOS 13 and newer / iPhone 6S and newer</li> <li>• Apple iPadOS 13 and newer / iPad Pro, iPad Air 2 and newer, iPad mini 2019, iPad mini 4, 9.7-inch iPad 2017 and newer</li> <li>• Android OS 9.0 and newer</li> </ul> <p>Note: Only the latest iOS and Android OS version is actively supported and tested by Vogel's.</p>
<p>How many preset positions can be stored with the app and remote control?</p> <p>Does the app control make use of Bluetooth connection with the MotionMount?</p> <p>What does the 'Freeze position' function do?</p>	<p>Up to seven preset positions can be stored.</p> <p>Indeed, the app control makes use of Bluetooth ('low energy') 5.0 connection. The Bluetooth of your smartphone / tablet needs to be switched on while using the app.</p> <p>The Freeze position function can be found in the app (Settings – Automatic Motion Management). In case Freeze position is disabled, your TV will return to last used position when TV is switched on. In case Freeze position is enabled, your TV will always return to the same position when TV is switched on.</p>

<p>Is it possible to control the MotionMount by voice?</p>	<p>Yes, this is possible for Apple users. With iPhone and iPad it is possible to move your TV to one of the presets by voice. This is based on Siri Shortcuts.</p>
<p>Is it possible to control the MotionMount via RS-232 and/or Ethernet connection?</p>	<p>With the MotionMount PRO (TVM 7675 PRO), it is possible to control the MotionMount by RS-232 and Ethernet commands.</p>
<p>How many wall sockets for powering the TV and this product do I need?</p>	<p>You need two wall sockets. One for your TV and one for the MotionMount (mains adapter).</p>
<p>Why are there 2 HDMI sockets in the wall plate of the Signature MotionMount?</p>	<p>One of the HDMI sockets is for the connection of the MotionMount with your TV. The HDMI socket in the wall plate needs to be connected with one of the HDMI sockets on your TV. This connection is necessary to make the Automatic movement feature work (via HDMI-CEC). The second HDMI socket in the wall-plate allows you to connect a peripheral device to your TV without having to route an HDMI cable through the mount to the TV. This second connector is a so-called 'HDMI loop-through' connection. Your digital set-top box, Blu-ray player, etc. can therefore be connected in the wall plate.</p>
<p>Can a soundbar or AV receiver be connected to the second HDMI connector in the wall plate?</p>	<p>Yes. In this case, the HDMI cable between MotionMount and TV must be connected to the HDMI ARC (Audio Return Channel) socket on your TV (or TV connect box).</p>
<p>Can I use the Vogel's cable cover TVA 7000 together with this product?</p>	<p>Yes, the TVA 7000 cable cover is specially developed for the SIGNATURE MotionMount (and DesignMount). This cable cover fits seamlessly with the wall plate of your Signature wall mount. The cable cover is available in black and white. Please mount the wall mount at a height of 115 cm from the floor.</p>
<p>Are all cables and mounting materials included?</p>	<p>Yes, all cables and mounting materials are included.</p>

<p>Is the drilling template of the SIGNATURE MotionMount (TVM 7675) the same as of the DesignMount (TVM 7655)?</p>	<p>Yes, the drilling template is the same for all SIGNATURE Series products.</p>
<p>Are the drilling holes of the Signature TV wall mounts (wall plate) in the same position as those of the NEXT TV wall mounts?</p>	<p>Yes, although the wall plate has a different shape, the positioning of the four holes has remained the same.</p>
<p>What mains voltage range and frequency are suitable for the MotionMount?</p>	<p>The mains (AC) voltage range of the adapter is 100 – 240 Volt, 50 / 60 Hz.</p>
<p>Can I level this mount both in horizontal and vertical direction?</p>	<p>Yes, with 3D-LEVELING™ you always get your TV level. This feature includes slanting wall correction and precise after-installation leveling (horizontally and vertically).</p>

In case of other issues / questions, please contact: [consumercare@vogels.com](mailto:consumercare@vogels.com)

## Go green!

We care about the planet. If you're getting rid of the packaging or the TV mount itself, please visit your local recycling facility, or contact your municipal office. Recycling matters!



# Guarantee

Thanks again for choosing Vogel's! Just like every product we make, your new purchase is made of durable materials and is based on a meticulous design. That is why Vogel's gives you a 15-year guarantee for defects in materials and manufacturing and a 2-year guarantee for defects in electronic parts.

1. Vogel's guarantees that if during the guarantee period of a product, faults arise due to defects in manufacturing and/or materials, it will, at its discretion, repair or if necessary replace the product, free of charge. A guarantee for normal wear and tear is hereby expressly excluded.
2. If the guarantee is invoked, the product should be sent to Vogel's, together with the original purchase document (invoice, sales slip or cash receipt). The purchase document should clearly show the name of the supplier and the date of purchase.
3. Vogel's guarantee shall lapse in the following cases:
  - If the product has not been drilled, installed and used in accordance with the Instructions for Use;
  - If the product has been altered or repaired by someone other than Vogel's;
  - If a fault arises due to external causes (outside the product) such as for example lightning, water nuisance, fire, scuffing, exposure to extreme temperatures, weather conditions, solvents or acids, wrong use or negligence;
  - If the product is used for different equipment than is mentioned on or in the packing.

Vogel's Products BV - Hondsruglaan 93 - 5628 DB Eindhoven - The Netherlands

Vogel's Products BV 2022 © All rights reserved.