



# TVM 7655 Series

## Full Installation Guide

Everything you need to get your TV safely on the wall, in no time

### Before you start

...we just wanted to say thanks for choosing Vogel's. Smart choice.

And you're already making another smart choice – reading the manual! Keep reading to learn all about safe, efficient installation, and how to use your new mount.

# Stay safe



## Warning

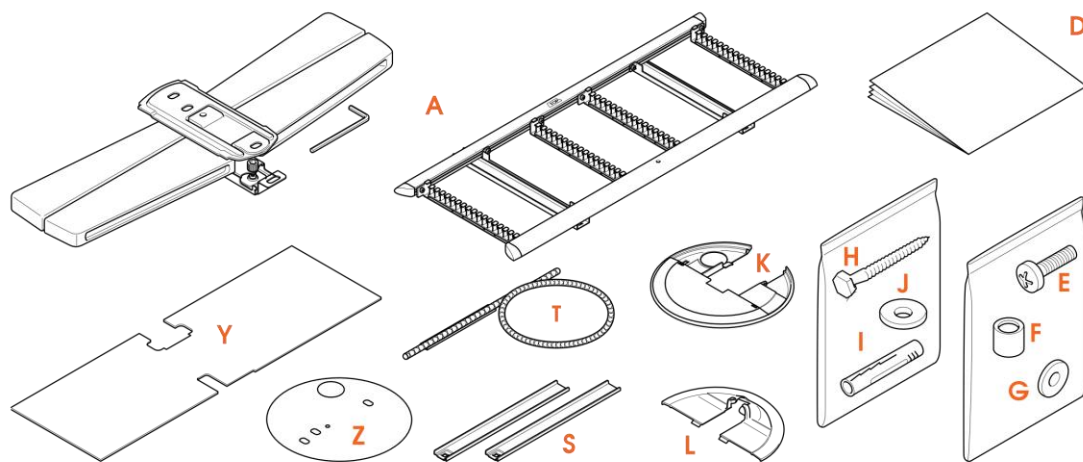
Always read these safety instructions carefully before installing and using this product.

Following these instructions is strictly required. Incorrect mounting and/or installation could put you, your TV, and your family at substantial risk.

## Don't dare risk it... Read all

- Vogel's recommends that the mounting and/or installation of this product should be carried out by a suitably qualified expert.
- Vogel's cannot be held responsible for any injury and/or damage caused by incorrect installation.
- Please consult the manual for your TV and ensure that the weight and size of the TV is within the maximum weight and size limits specified for this product, and that the TV mounting bolts used are of a suitable length and diameter. Note that not all the TV mounting accessories provided are required for the installation of any one TV.
- The wall mounting accessories provided are exclusively intended for installation on walls made of solid brick, solid concrete or solid wood columns.
- Any material covering the wall must not exceed 3 mm/ 0.12 inch.
- For mounting on walls made of other materials, such as hollow bricks, wood panels or plasterboard, please consult your installer and/or specialist supplier.
- Clean the product with a dry, lint-free cloth. Do not use detergents or other solvents to clean the product.
- Only qualified, certified personnel may repair the product. Use only original spare parts. The use of other parts will result in voiding the warranty, and could lead to injuries.
- Alterations to the product and technical modifications are not permitted. This will void the warranty, and could lead to injuries.
- Always store the product in a dry and safe place with a temperature between -10°C to +50°C.
- Handle and transport the product with care.
- Repack the product when transporting or not using it for a longer period of time.

# What's in your box?



- Something missing? Make sure your packaging has everything in place:

- A. Wall mount, with interface attached
- D. Safety instructions
- E. Bolts for fastening strips on TV (see contents below)
- F. Spacers
- G. Washers  $\varnothing$  26mm
- H. Screws
- I. Plugs
- J. Washers  $\varnothing$  26mm
- K. Upper wall plate cover
- L. Lower wall plate cover
- S. Interface extension strips
- T. Cable sleeve
- Y. Interface cover
- Z. Drilling template

- Contents of the TV fasteners kit:

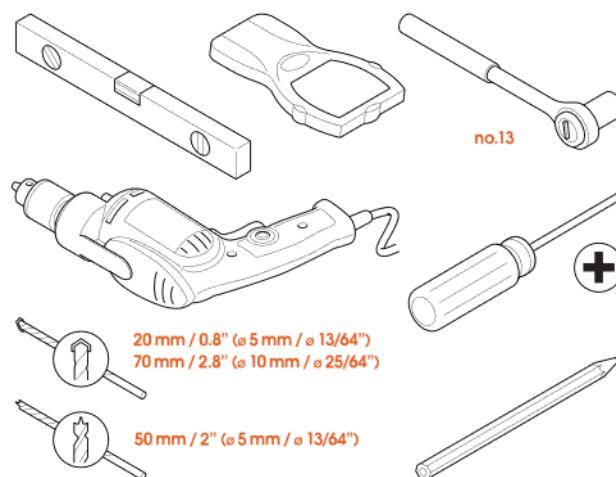
- 4x M6x12mm
- 4x M6x25mm
- 4x M6x35mm
- 4x M8x12mm
- 4x M8x25mm

- 4x M8x45mm
- 4x M6x18mm washer
- 4x spacer 10mm
- 4x spacer 5mm



Need a long HDMI cable? Or a Cable Cover to hide your wall cables? Visit us online and order the right accessories directly through our website.

## Got your tools ready?



- Don't start without all the necessary tools:
  - Spirit level
  - Stud finder
  - Socket wrench no.13
  - Crosshead screwdriver
  - Drilling machine
  - For stone walls:
    - 20 mm / 0.8" (ø 5 mm / ø 13/64") masonry drill bit (for predrilling)
    - 70 mm / 2.8" (ø 10 mm / ø 25/64") masonry drill bit

- For wooden walls:
  - 50 mm / 2" (∅ 5 mm / ∅ 13/64") wood drill bit
- Pencil

## Take care of your safety



- Who cares about looking cool? Always wear personal protective equipment:
  - Eye protection
  - Ear protection
  - Safety shoes

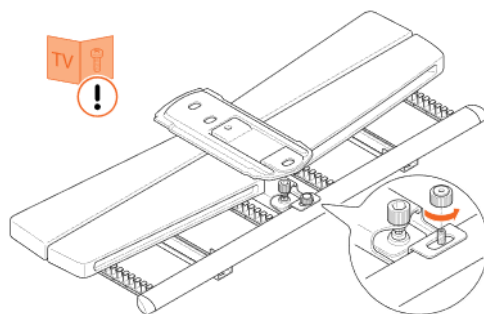


Lifting your TV is a two-person job. Don't be bold!

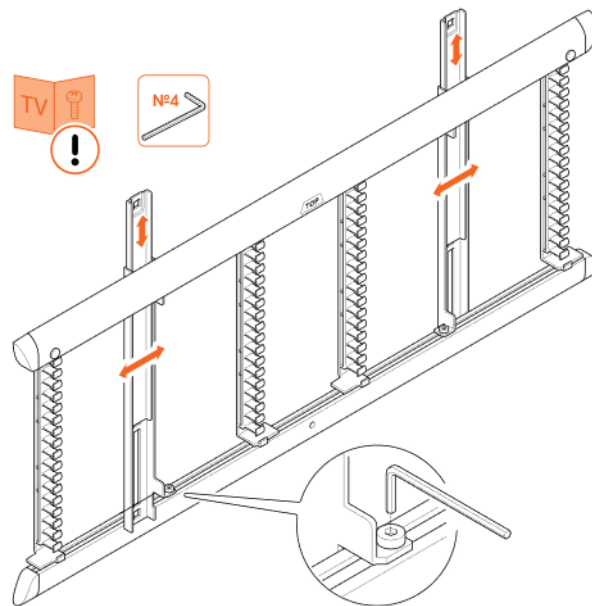
## Ready... set... get installing!

### Step 1: Attach the interface to the TV

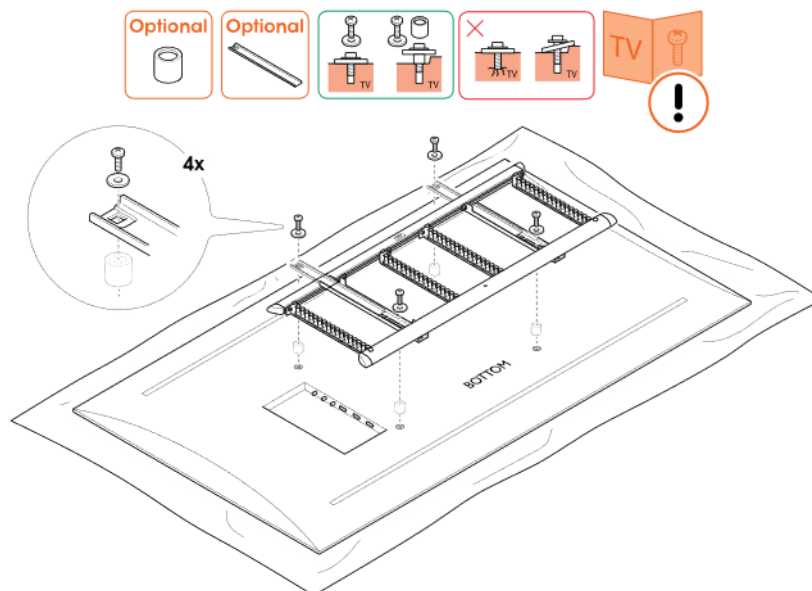
1. Carefully place the wall mount **A** with the attached interface, and the TV face down on a clean surface without any obstacles.



- Remove the **thumbnut** and detach the **wall mount** (A) from the **interface**. Keep the **thumbnut** for later use.



- Check the mounting holes on the TV screen. Adjust the dimensions of the **interface** accordingly, after loosening the **pre-attached bolts** with the **Allen key**.
- Additionally, **interface extension strips** (C) can be inserted into the top or bottom side of the vertical strips to increase the height of the **interface**. Make sure both **interface extension strips** (C) are at the same height and do not stick out.



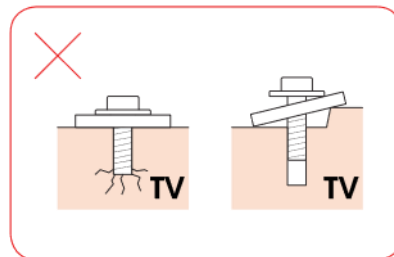
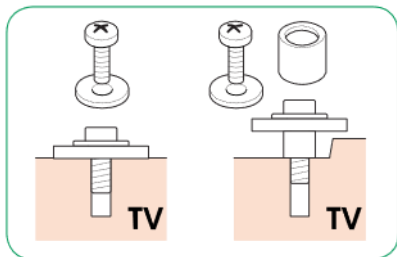
- Attach the **interface** to the TV screen with the **bolts** (E) and **spacers** (F). Make sure the top side of the frame is positioned correctly, as indicated by the word 'top' on the **interface**.
- After adjusting the dimensions of the **interface**, make sure to tighten the **pre-attached bolts** with the **Allen key**.



Are you missing any bolts? Or need different ones? The friendly team at Vogel's Consumer Care are waiting to help: [vogels.com/contact](https://www.vogels.com/contact)



Make sure bolts and spacers are positioned correctly.



Refer to the user manual of your TV for the correct mounting material.

## Step 2: Attach the wall mount to the wall

How well do you know your walls? What they're made of matters more than you think...

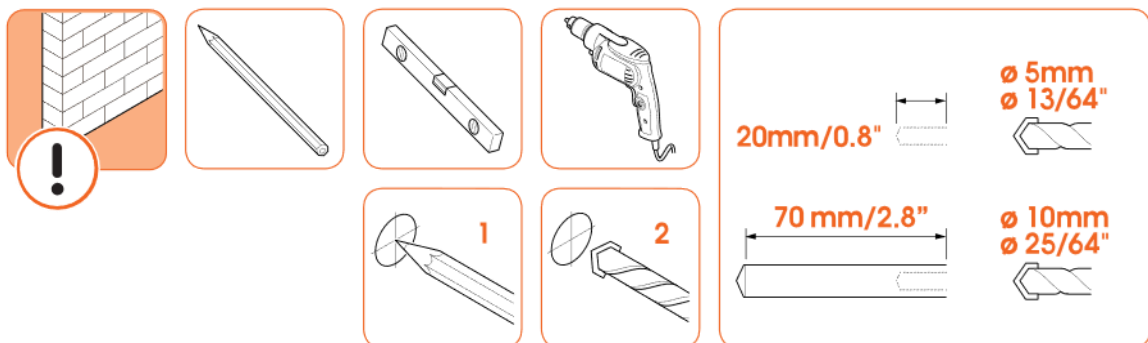
### Concrete / Brick wall



If you are mounting your TV screen onto a wooden wall, please follow the instructions in the *Wooden wall* section.

For this step you will need:

- Drilling template ②
- Drilling machine
- 20 mm / 0.8" (∅ 5 mm / ∅ 13/64") masonry drill bit (for predrilling)
- 70 mm / 2.8" (∅ 10 mm / ∅ 25/64") masonry drill bit
- The contents of the wall mounting kit ④ ① ③
- Spirit level
- Pencil

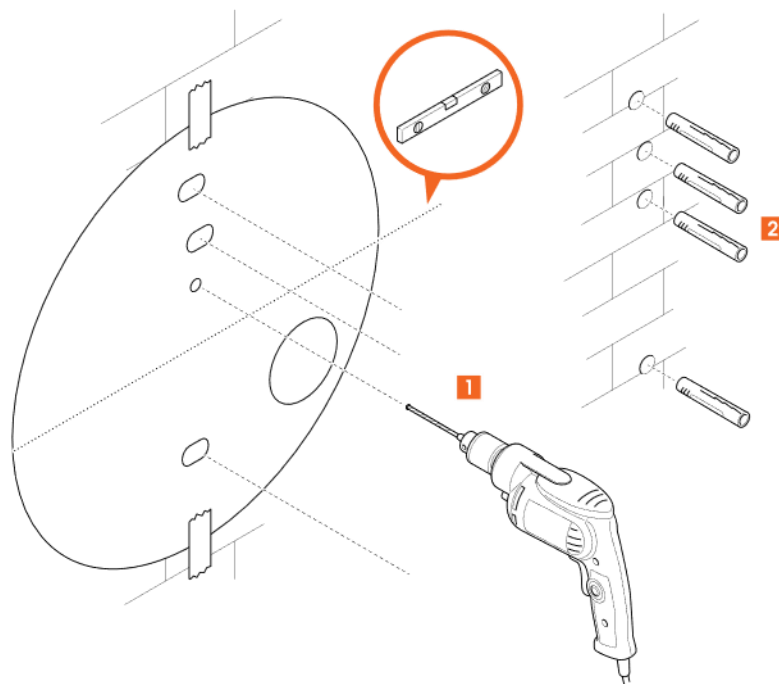


1. Determine where to mount your TV screen.

Use the **drilling template** ② to mark the correct position on the wall if you're using the TVA 7000 cable column or if the connecting cables protrude from the wall. The **drilling template** ② can be found on the back of the inlay card provided in the package.

In other situations, download and use our free DrillRight™ AR App to find the perfect mounting height and mark the first drilling hole. Always use the **drilling template** ② to mark the other drill holes.





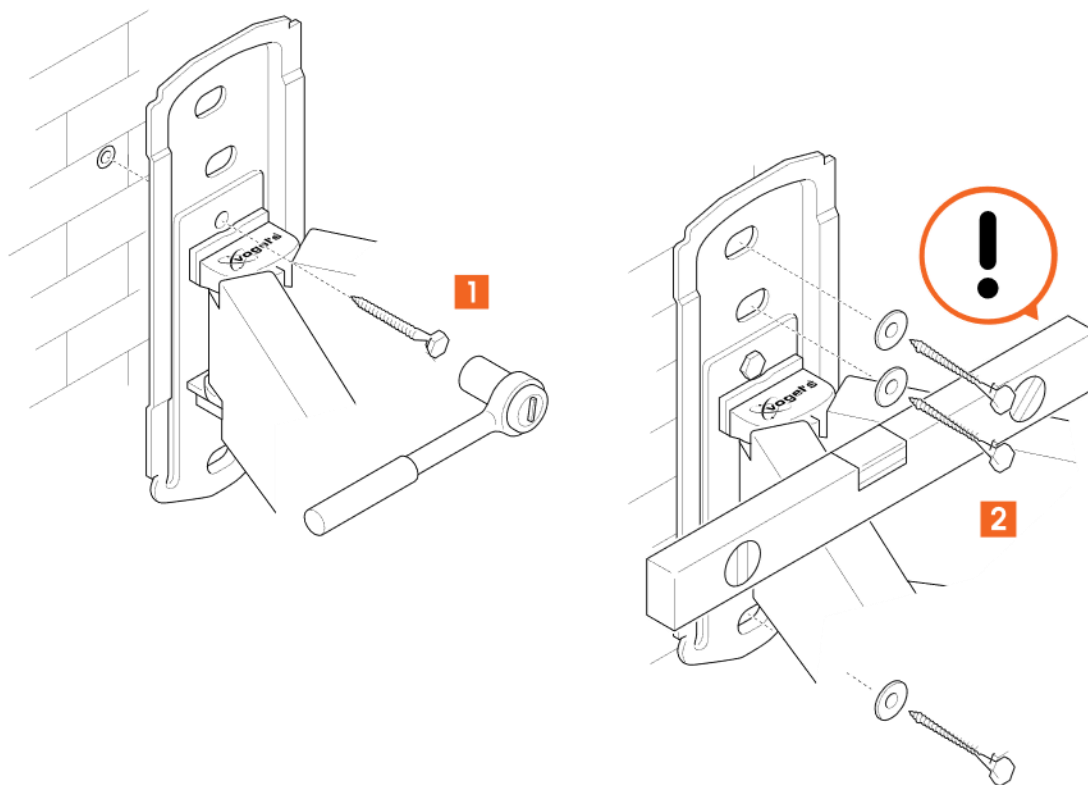
2. Drill the holes. Make sure to drill the positioning hole first.
3. Put the **plugs** ① in the holes.



How deep do you drill? Check the length of the **screw** (not the plug!) to find the right depth – this stops things from breaking.



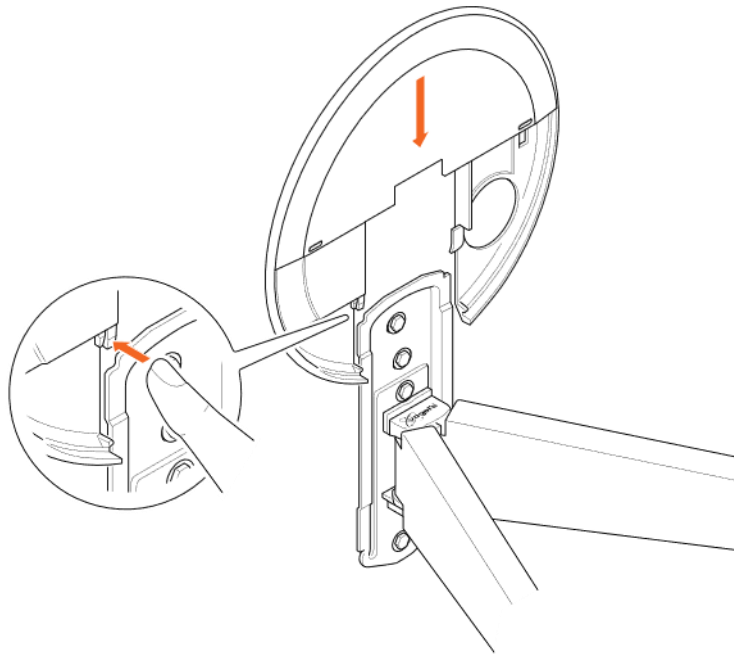
The cable hole should only be used to lead cables that come out of the wall through the wall mount. Do not use the cable hole to attach the wall mount to the wall.



4. Attach the wall mount to the wall while making sure to:
  - a. begin with the hole directly above the Vogel's logo on the **wall mount** Ⓐ
  - b. use the spirit level to level the wall mount
  - c. attach the **wall mount** Ⓐ to the wall with the provided **screws** ⒣ and **washers** Ⓐ



Lubricate the screws for easy screwing in.



5. Slide the **upper wall plate cover** (K) onto the **wall mount** (A). To remove the cover plate, press the left tab and slide it off the wall mount.

## Wall with wooden studs



If you are mounting your TV screen onto a concrete/brick wall, please follow the instructions in the Concrete/Brick wall section.

For this step you will need:

- Drilling template (Z)
- Drilling machine
- 50 mm / 2" (∅ 5 mm / ∅ 13/64") wood drill bit
- The contents of the wall mounting kit (H) (J)
- Spirit level
- TVA 6950 Stud adapter (optional, available on [www.vogels.com](http://www.vogels.com))

- Stud finder
- Pencil

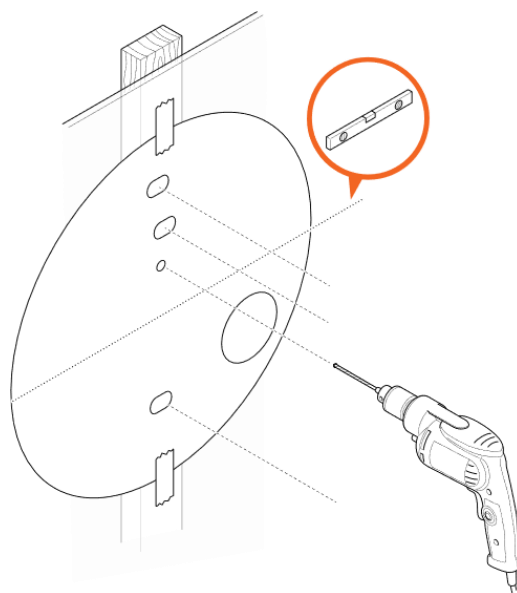


Don't just guess! The wall mount must always be attached to the studs. Always use a stud finder to determine the position of studs. Don't destroy your belongings!

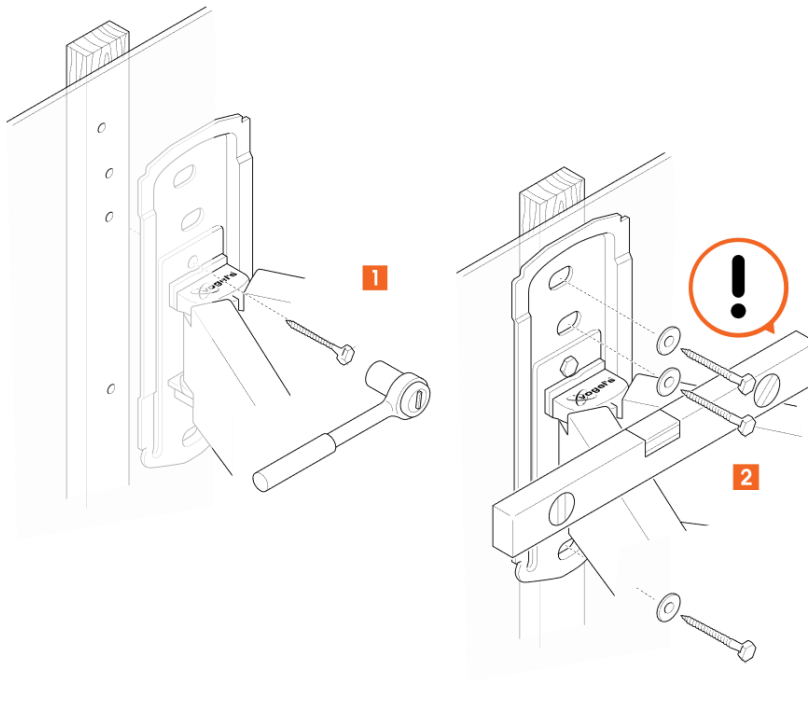
1. Determine where to hang your TV screen.

Use the **drilling template** ② to mark the correct position on the wall if you're using the TVA 7000 cable column or if the connecting cables protrude from the wall. The **drilling template** ② can be found on the back of the inlay card provided in the package.

In other situations, download and use our free DrillRight™ AR App to find the perfect mounting height and mark the first drilling hole. Always use the **drilling template** ② to mark the other drill holes.



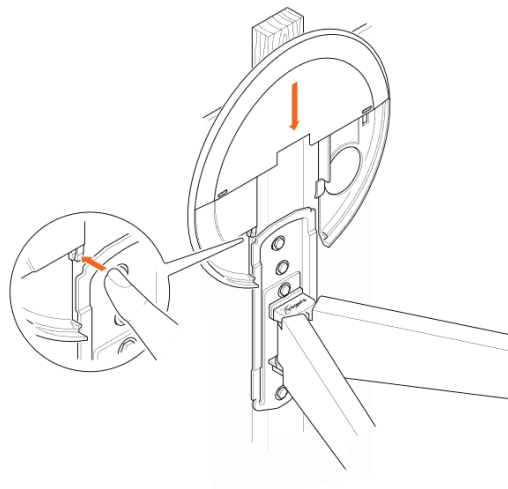
2. Now for the fun part... drilling the holes. Make sure to drill the positioning hole first.



3. Attach the wall mount to the wall while making sure to:
- begin with the hole directly above the Vogel's logo on the **wall mount** Ⓐ
  - use the spirit level to level the wall mount
  - attach the **wall mount** Ⓐ to the wall with the provided **screws** Ⓗ and **washers** Ⓙ



Lubricate the screws for easy screwing in.



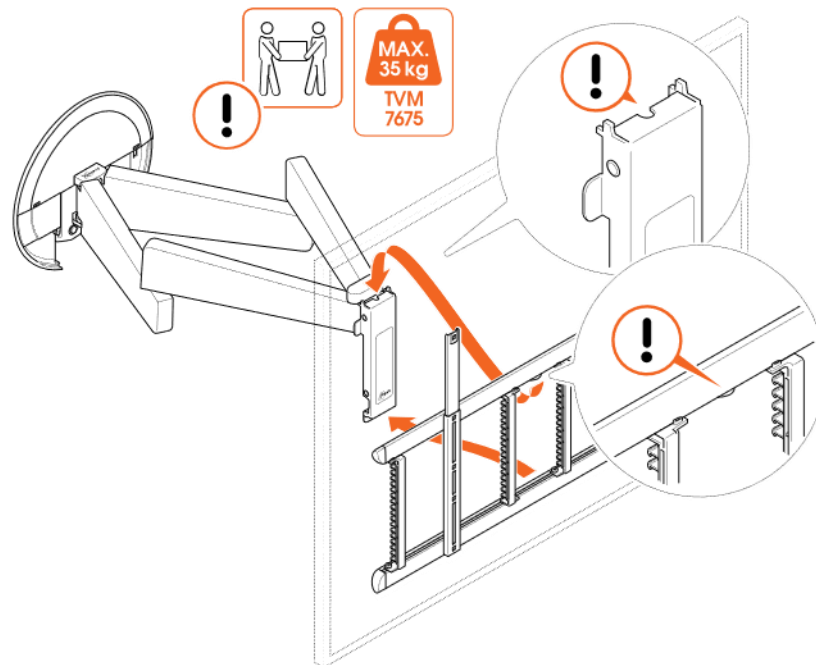
4. Slide the **upper wall plate cover** (K) onto the **wall mount** (A). To remove the cover plate, press the left tab and slide it off the wall mount.

## Other wall type / I don't know my wall type



If your wall is a little special – for example, hollow bricks, metal stud walls, wood panels or plasterboard – or you simply aren't sure, don't worry! Just ask your Vogel's Consumer Care team at [www.vogels.com/contact](http://www.vogels.com/contact).

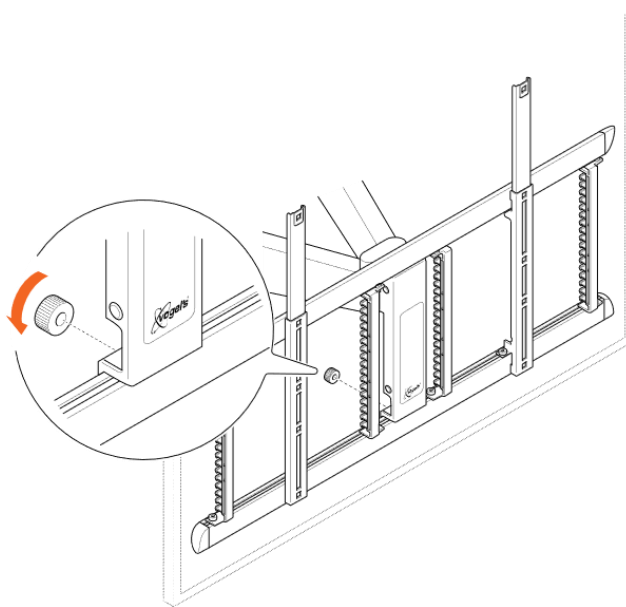
## Step 3: Attach the TV to the wall mount



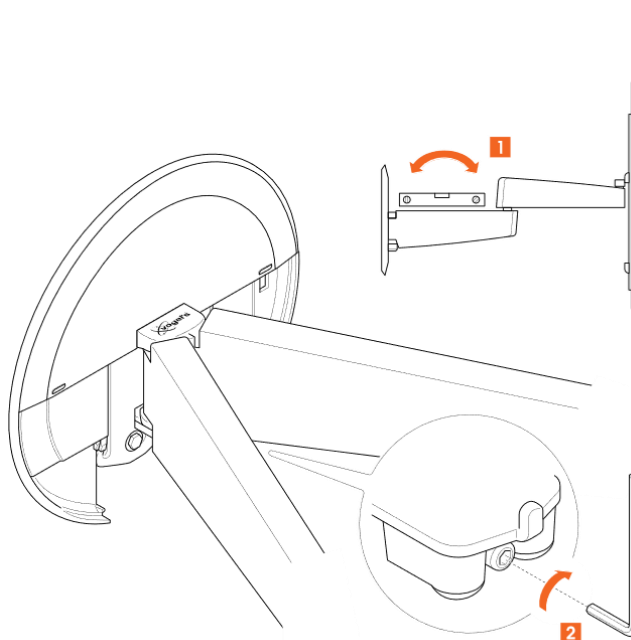
1. Carefully lift and attach the TV onto the interface bracket on the **wall mount** (A). Make sure the plug on the interface falls into the notch on the wall mount.

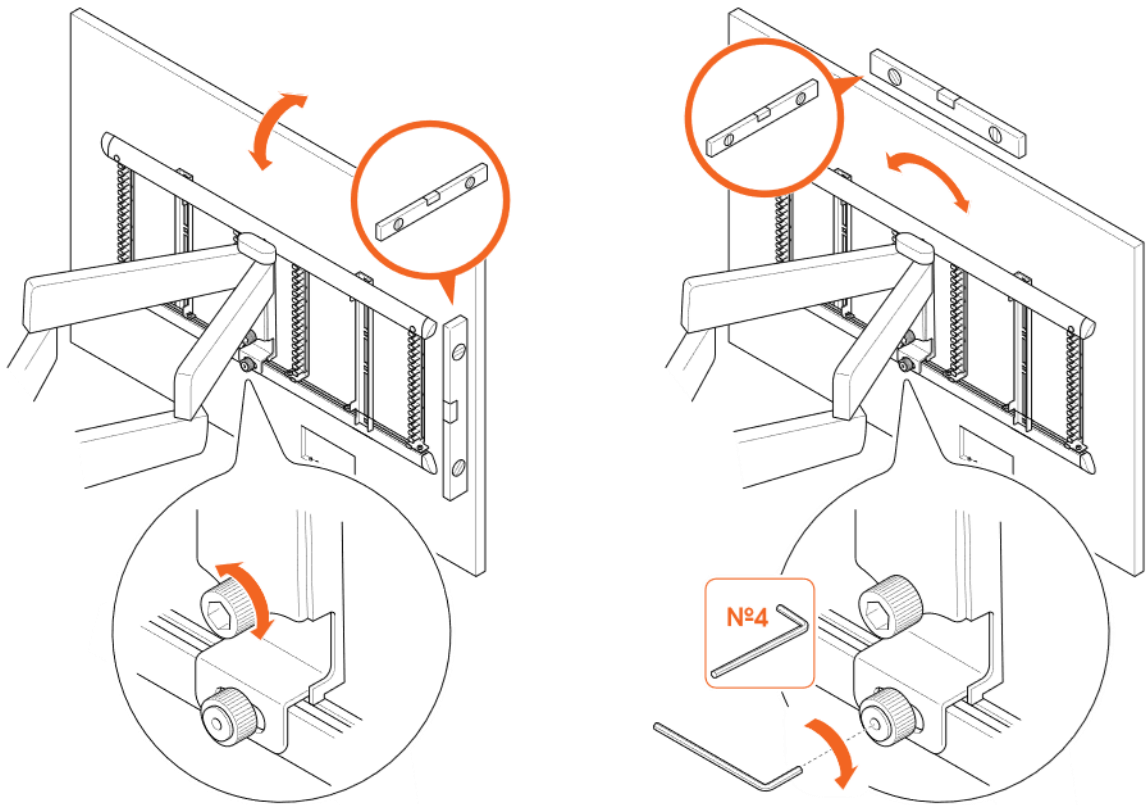


Lifting your TV is a two-person job. Don't be bold!



2. Secure the interface to the **wall mount** with the saved **thumbnut** from step 1.





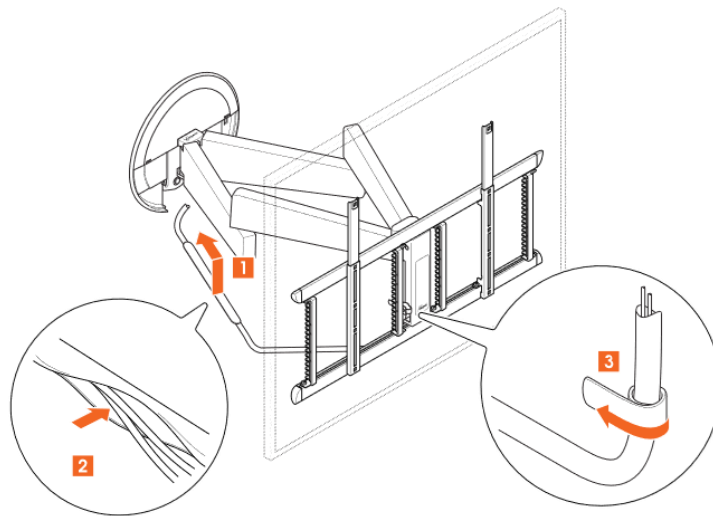
3. Level the **wall mount** *and* the TV screen. Use a spirit level and the **Allen key** to correct the position. Tighten the **thumbnut** and the **thumb bolt** with the **Allen key** when finished.



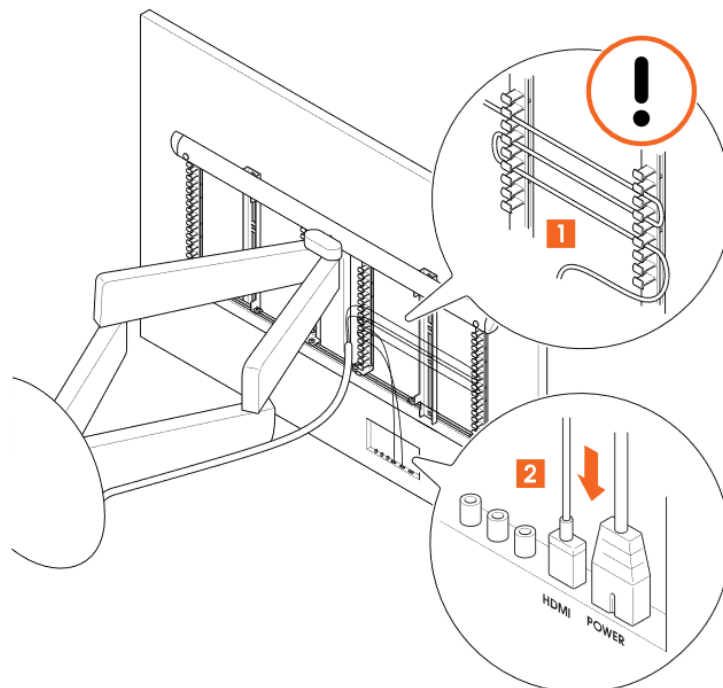
The wall mount and TV must be leveled vertically and horizontally before using the wall mount!



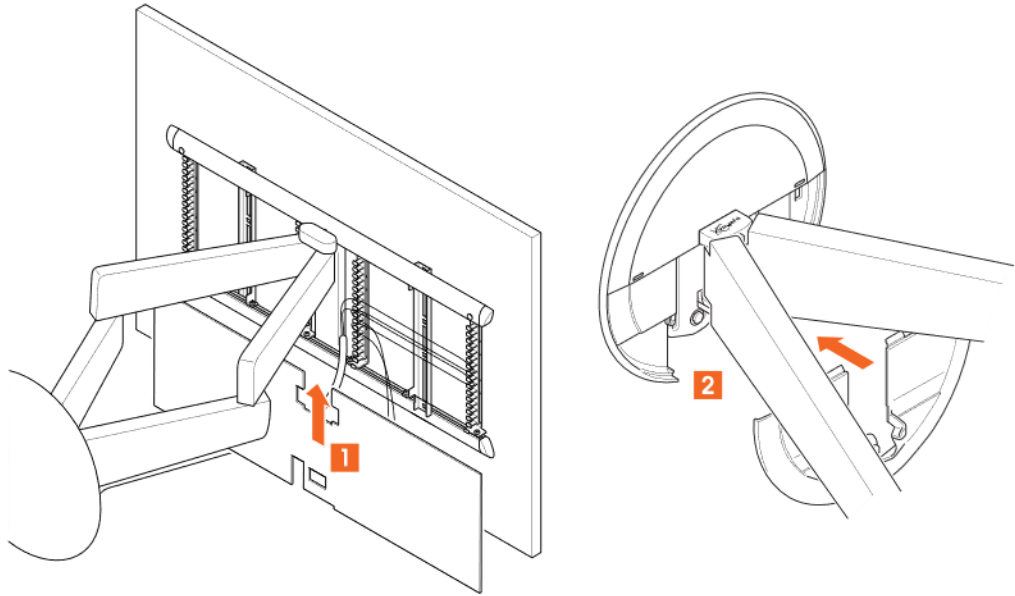
## Step 4: Attach the cables to the wall mount



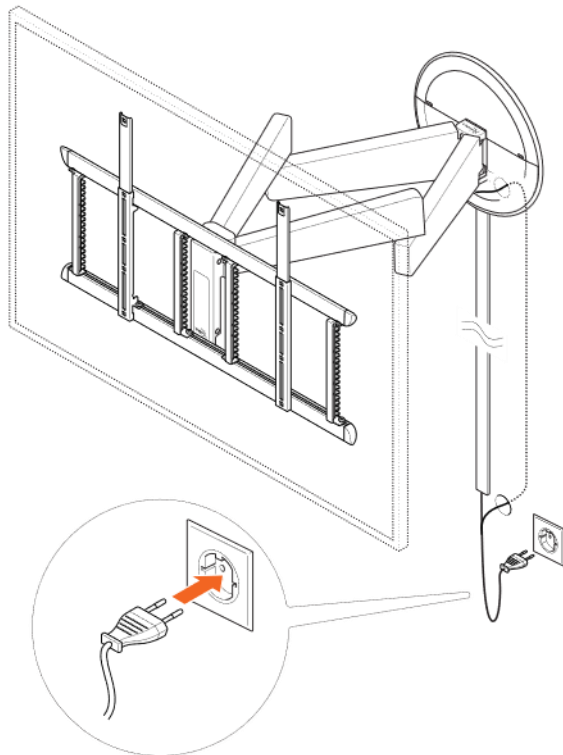
1. Attach the **cable sleeve** ① to the **wall mount** ②, by sliding it into the holes on the bottom side of the right arm.
2. Put the TV power cable and the other cables into the **cable sleeve** ①.
3. Secure one end of the **cable sleeve** ① to the frame by using the velcro strip.



4. Connect the power cable and the other cables to the TV. Make sure all other cables are neatly stowed away by using the vertical cable clip strips on the **interface**.



5. Put the **lower wall plate cover** ① onto the wall mount and the **interface cover** ② onto the back of the **interface**.

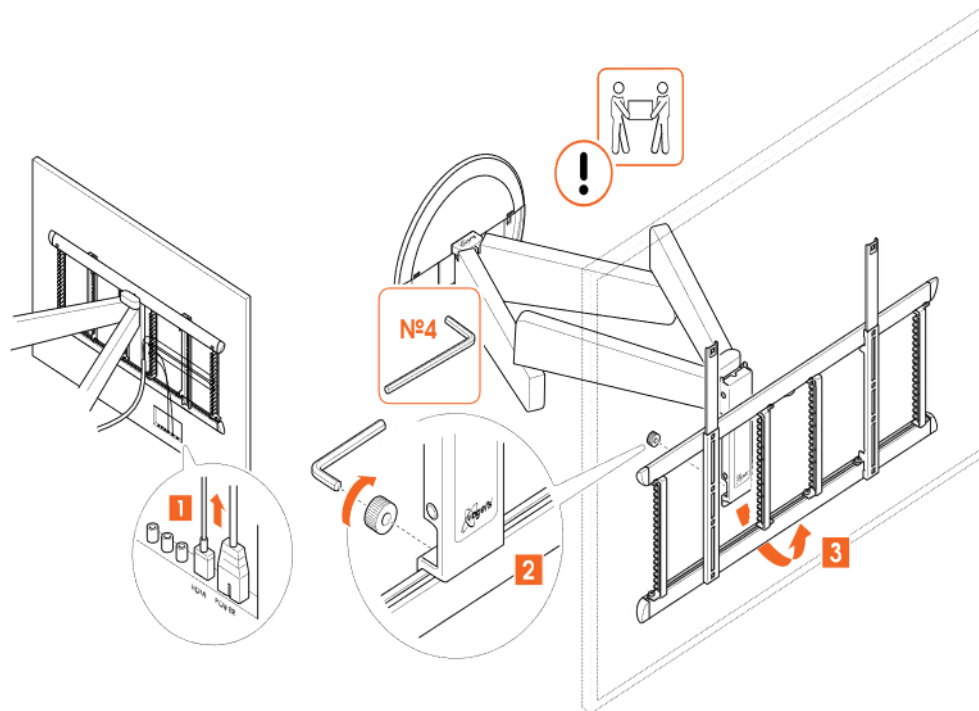


6. Connect the TV power cable to the power outlet.
7. Your DesignMount is now ready to be used!



Need a long HDMI cable? Or a Cable Cover to hide your wall cables? Visit us online and order the right accessories directly through our website.

## Removing your TV



1. Remove all cables from your TV and **interface**.
2. Remove the bottom thumbnut from the **interface**.
3. Lift your TV off of the **interface** bracket, and put it down somewhere safe.



Again, lifting your TV is a two-person job. Always get help.

# Tell us how you feel!





Your opinion matters more than you might think. It helps us make better products, and helps other customers make informed choices.

Share your feedback, and sign up to win Vogel's products!

Simply visit [vogels.com/review](http://vogels.com/review) for sharing or the Terms and Conditions.

# Confused? Unsure? Going crazy?

There's plenty of help waiting for you, online:

	<a href="mailto:info@vogels.com">info@vogels.com</a> <a href="http://www.vogels.com/contact">www.vogels.com/contact</a>
	<a href="https://facebook.com/VogelsForSure/">facebook.com/ VogelsForSure/</a>
	<a href="https://instagram.com/vogels_official/">instagram.com/ vogels_official/</a>
	<a href="http://www.youtube.com/c/VogelsForSure">www.youtube.com/ c/VogelsForSure</a>

# Troubleshooting

Found a problem you can't fix? Don't panic... try these!

Problem	Cause	Solution
I don't have the right bolts for my TV!	The world of TV technology is always changing – it can be hard to keep up sometimes. So, it might be the case that the correct bolt size is not included... you're just too advanced!	Just ask Vogel's Consumer Care to request a service kit, and we'll send everything you need. <a href="#">Click here</a> to contact Vogel's Consumer Care.
My wall screws have snapped!	You might not be drilling deep enough... or your drill could be too blunt, so that the hole is too narrow and the screw gets stuck.	Use another hole in the wall mount to fix the wall mount to the wall. Make sure you use a sharp drill of the correct size. Use the size of the screw as indication of the depth to be drilled.

In case of other issues / questions, please contact: [consumercare@vogels.com](mailto:consumercare@vogels.com)

## FAQs

Where can I request the correct bolts for my TV (a service kit)?	Whatever you need, simply contact your local Vogel's dealer or Vogel's. <a href="#">Click here</a> to contact Vogel's Consumer Care.
Where can I find installation videos?	Click or tap the button on the front page of this manual. The installation video can be found at the product page of your product on our website. It can also be found on our YouTube channel: <a href="http://www.youtube.com/c/VogelsForSure">www.youtube.com/c/VogelsForSure</a>
What if I need spare parts?	If you require a spare part, please contact your local dealer or Vogel's. <a href="#">Click here</a> to contact Vogel's Consumer Care.
Where can I find the drilling template?	The drilling template is printed on the inlay card in the box. You can cut it out for your convenience.

<p>How high do I need to hang my TV?</p> <p>How high do I need to hang my TV in case of a tilt mount?</p>	<p>The centre of your TV should ideally be positioned at eye level, while seated. Download and use the free <a href="#">DrillRight™ AR app</a> to determine the height of the TV and to mark the first hole.</p> <p>When a wall mount with tilt function is used, your TV can be mounted above eye level.</p>
<p>Which bolts or screws do I need to use?</p> <p>Why do you use Fischer® plugs?</p>	<p>Vogel's offers a complete assembly kit with all mounting materials included in the box, for both your TV and wall. Vogel's offers a complete assembly kit with all mounting materials included in the box. Do you miss the correct bolts for your TV? Please contact your local Vogel's dealer. <a href="#">Click here</a> to contact Vogel's Consumer Care.</p> <p>The Fischer® DuoPower plug is widely regarded as the best standard in plugs. Don't settle for less!</p>
<p>What is VESA?</p> <p>What is the minimum screen size of the TV in combination with the wall mount?</p> <p>What is the maximum screen size and weight of the TV in combination with the tv wall mount?</p> <p>Does this product have a tilt function?</p> <p>Can the DesignMount TVM 7655 be upgraded to MotionMount?</p>	<p>VESA is a standard pattern of mounting location holes on the back of a TV which allows many standard TV mounts to be easily fitted to your TV.</p> <p>The minimum screen size is 40 inch (102 cm).</p> <p>The maximum screen size is 77 inch (196 cm) and maximum weight is 35 kg (77 lbs). The Electronic Screen Protection System (ESPS®) prevents your TV bumping onto the wall.</p> <p>There is no tilt in this product.</p> <p>No, that's not possible.</p>

<p>What is the guarantee of this wall mount?</p>	<p>Vogel's gives you a lifelong guarantee for defects in materials and manufacturing of the wall mount. The guarantee is 15 years.</p>
<p>What is the maximum turn angle?</p>	<p>The maximum turn angle is 120° (2x 60°).</p>
<p>What is the maximum distance the TV can move from the wall?</p> <p>Is there also a special OLED version of the MotionMount?</p> <p>Do I need to connect my TV to the MotionMount?</p> <p>Can I use the Vogel's cable cover TVA 7000 together with this product?</p> <p>Are all mounting materials included?</p> <p>Is the drilling template of the SIGNATURE DesignMount (TVM 7655) the same as of the MotionMount (TVM 7675)?</p> <p>Are the drilling holes of the Signature TV wall mounts (wall plate) in the same position as those of the NEXT TV wall mounts?</p>	<p>The maximum distance from the wall is 72 cm.</p> <p>No, there is no dedicated OLED version. The VESA interface is also optimized for OLED.</p> <p>Yes. To make the Automatic movement feature working, an HDMI cable needs to be connected between the HDMI connector in the wall plate of the MotionMount and one of the HDMI connectors of your TV. A 2m HDMI cable is included in the MotionMount packaging.</p> <p>Yes, the TVA 7000 cable cover is specially developed for the SIGNATURE MotionMount (and DesignMount). This cable cover fits seamlessly with the wall plate of your Signature wall mount. The cable cover is available in black and white. Please mount the wall mount at a height of 115 cm from the floor.</p> <p>Yes, all mounting materials are included.</p> <p>Yes, the drilling template is the same for all SIGNATURE Series products.</p> <p>Yes, although the wall plate has a different shape, the positioning of the four holes has remained the same.</p>

Can I level this mount both in horizontal and vertical direction?

Yes, with 3D-LEVELING™ you always get your TV level. This feature includes slanting wall correction and precise after-installation leveling (horizontally and vertically).

In case of other issues / questions, please contact: [consumercare@vogels.com](mailto:consumercare@vogels.com)

## Go green!

We care about the planet. If you're getting rid of the packaging or the TV mount itself, please visit your local recycling facility, or contact your municipal office. Recycling matters!





# Guarantee



Thanks again for choosing Vogel's! Just like every product we make, your new purchase is made of durable materials and is based on a meticulous design. That is why Vogel's gives you a 15-year guarantee for defects in materials and manufacturing.

1. Vogel's guarantees that if during the guarantee period of a product, faults arise due to defects in manufacturing and/or materials, it will, at its discretion, repair or if necessary replace the product, free of charge. A guarantee for normal wear and tear is hereby expressly excluded.
2. If the guarantee is invoked, the product should be sent to Vogel's, together with the original purchase document (invoice, sales slip or cash receipt). The purchase document should clearly show the name of the supplier and the date of purchase.
3. Vogel's guarantee shall lapse in the following cases:
  - If the product has not been drilled, installed and used in accordance with the Instructions for Use;
  - If the product has been altered or repaired by someone other than Vogel's;
  - If a fault arises due to external causes (outside the product) such as for example lightning, water nuisance, fire, scuffing, exposure to extreme temperatures, weather conditions, solvents or acids, wrong use or negligence;
  - If the product is used for different equipment than is mentioned on or in the packing.

Vogel's Products BV - Hondsruglaan 93 - 5628 DB Eindhoven - The Netherlands

Vogel's Products BV 2022 © All rights reserved.