



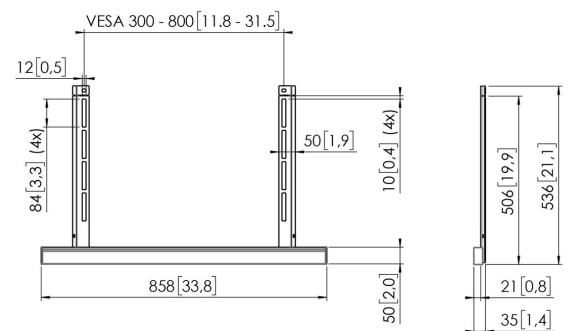
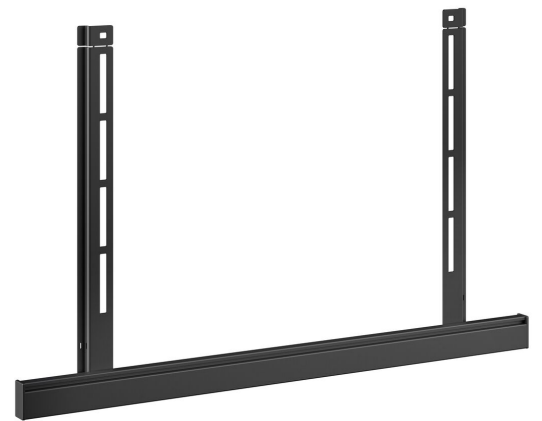
RISE A 111 Accessory Mounting Kit for RISE Motorized Display Lifts (black)

Key Benefits

- Complete your RISE Display lift with handy accessories
- Quick and easy installation
- TÜV-5 certified

RISE Accessory Mounting Kit

With the RISE A 111 Accessory Mounting Kit, you can quickly and easily attach accessories to any RISE motorized display lift. This mounting kit is particularly suitable for the A 121 sound bar mount, A 131 laptop support and A 141 video conferencing camera platform. Easy to install The strips are simply attached to the motorized display lift together with the VESA strips when mounting to the display. Mount the accessory above or below a display as required.





RISE A111 Accessory Mounting Kit for RISE Motorized Display Lifts (black)



Specifications

Article number (SKU)	7301110
Colour	Black
EAN single box	8712285356766
Height	536
Width	858
Depth	35
TÜV certified	Yes
Guarantee	5 years
Max. weight load (kg)	15
Max. width of interface (mm)	800
Adjustable depth	True
Adjustable height	True

VOGEL'S HOLDING BV (©)

All rights reserved.
Subject to printing errors,
technical and price
amendments.

Date: 2022-04-27



Vogel's. For Sure.