



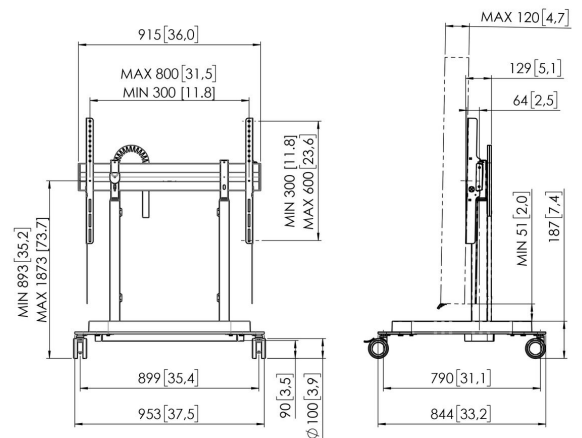
## RISE 5308 Motorized Display Lift Trolley 80 mm/s (black, EU)

### Key Benefits

- Height adjustment range of no less than 980 mm
- Movement speed of 80 mm/s for the heaviest screens with QuickRise™
- TÜV, CE, UL and GS certified
- Specially designed foot for extra safety
- Anti-collision on the display lift prevents damage

### Screen moved smoothly and safely to the correct height

A RISE 5308 motorized display and TV lift trolley is suitable for displays of up to 98" and 120 kg max. The lift raises the screen smoothly, quickly and safely at a speed of 80 mm/s with QuickRise™. With a 980 mm travel range the lift is suitable for both very low and high positions. The top-down assembly ensures quick installation. We offer a 5 year guarantee. Safety first Vogel's display lift systems comply with the highest international safety standards of TÜV, CE, UL and GS. Although they are programmed for 86-inch screens, these motorized lift systems can be used for most 98" monitors. A small software adjustment (height adjustment) may occasionally be required (see user manual).





## RISE 5308 Motorized Display Lift Trolley 80 mm/s (black, EU)



### Specifications

Article number (SKU)	7353080
Colour	Black
EAN single box	8712285358142
Height	1205
Width	955
Depth	846
TÜV certified	Yes
Guarantee	5 years
Min. screen size (inch)	43
Max. screen size (inch)	98
Cable management	CIS® Cable Inlay System
Certifications	CE
Max. distance to floor - center display (mm)	1873
Max. horizontal hole pattern (mm)	800
Max. screen size (inch)	98
Max. vertical hole pattern (mm)	600
Min. distance to floor - center display (mm)	893
Min. horizontal hole pattern (mm)	300
Min. screen size (inch)	65
Min. vertical hole pattern (mm)	300
Motorized	Yes
Height adjustment (mm)	980

VOGEL'S HOLDING BV (©)

All rights reserved.  
Subject to printing errors,  
technical and price  
amendments.

Date: 2023-07-04



**Vogel's. For Sure.**