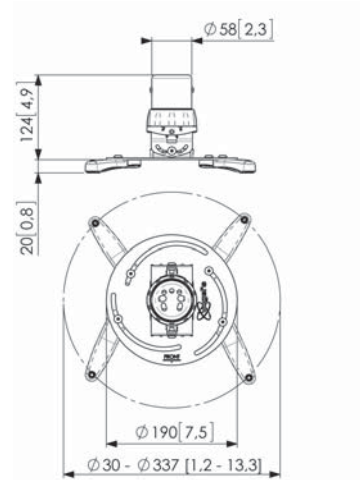


## PPC 1500 PROJECTOR CEILING MOUNT

THE PPC 1500 PROJECTOR MOUNT IS SPECIALLY DESIGNED FOR THE NEW GENERATION PROJECTORS UP TO 15 KG. THIS PROJECTOR INTERFACE IS EQUIPPED WITH A UNIQUE FINE TUNE ADJUSTABILITY FOR PRECISE ALIGNMENT WITH THE PROJECTION SURFACE. ONCE ALIGNED, THE PROJECTOR STAYS IN POSITION.

TURN (°)	360
TILT (°)	15
SUPPLEMENTAL COLORS	WHITE
GUARANTEE	5 YEARS



### PPC 1500 PROJECTOR CEILING MOUNT

TURNING THE SPECIAL FRICTION RING WILL ELIMINATE ALL PLAY FROM THE INTERFACE CONNECTIONS, MAKING THE MOUNT A STIFF AND VERY STABLE SOLUTION.

### FEATURES

- EASY MOUNTING

### LOGISTIC INFORMATION

EAN CODE PRODUCT	8712285325069
NET WEIGHT (KG)	1.96
SINGLE BOX WIDTH (MM)	255
SINGLE BOX LENGTH (MM)	265
SINGLE BOX HEIGHT (MM)	128

