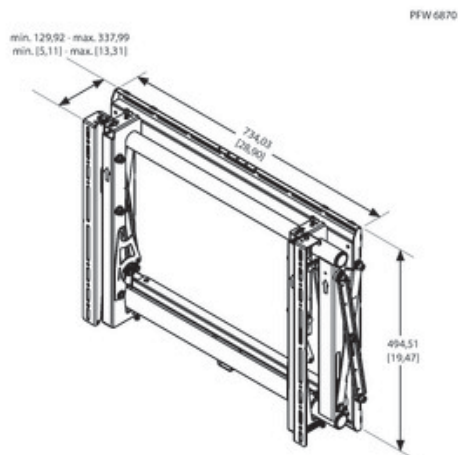


PFW 6870 Video wall pop-out module

PFW 6870 is a customizable video wall framing system for displays weighing up to 72 kg / 160 lbs. with a mounting pattern of 200 x 200 to 600 x 400mm. It features multi-monitor stacking, spring-loaded release, open design, custom spacers, top adjustable mounting brackets and straight scissor-style extension.

Min. TV size (Inch)	37"
Max. TV size (Inch)	65"
Max. weight of TV (kg)	72
Guarantee	5 years



PFW 6870 Video wall pop-out module

Optional dedicated spacers dramatically reduce installation time. Spacers are available for the most used video wall displays or monitors.

Features

- Leveling, height, lateral and depth adjustment
- Optional custom display spacers, see our website for the latest list of available spacers
- Spring loaded pop-out mechanism
- VESA fitment min. 200x200 mm, max 600x400 mm

Logistic information

EAN Code Product	8712285323461
Net weight (kg)	20.41
Single Box Width (mm)	889
Single Box Length (mm)	596
Single Box Height (mm)	139