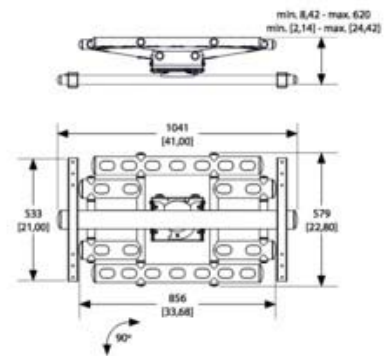


PFW 6855 Display wall mount - turn & tilt, 227 kg

PFW 6855 is an articulating wall mount for displays up to 227 kg / 500 lb. PFW 6855 holds displays with a vertical VESA mounting pattern of 300-400-500 mm and horizontal max. 907 mm.

Min. TV size (Inch)	65"
Max. TV size (Inch)	82"
Turn (°)	90
Tilt (°)	4
Guarantee	5 years



PFW 6855 Display wall mount - turn & tilt, 227 kg

The positive and negative tilt adjustment allows the mount to be installed level and plumb. The dual articulating arms allow even the heaviest display to be pulled away from the wall for service or alignment. The mount features a 90 degree rotation which allows the display to be installed in landscape, portrait or any other position inbetween. Also see PFW 6856 for Panasonic 85 inch displays and PFW 6857 for Panasonic 103 inch displays.

Features

Logistic information

EAN Code Product	8712285323201
Net weight (kg)	41