

## PFW 4710 Display wall mount tilt

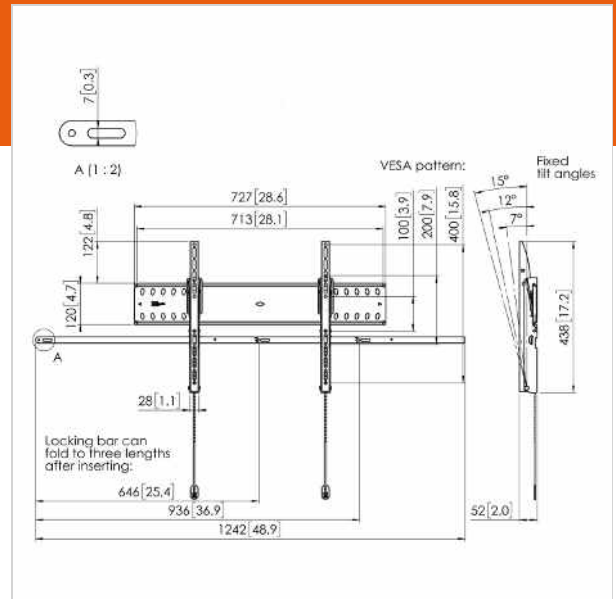
Article number (SKU) 7047100  
 Colour Black

### Key Benefits

- Theft prevention
- TÜV certified
- Stylish design
- Easy to install

This locking tilting wall mount helps protect large flat panel displays in public areas against theft. The PFW 4000 series is designed for public areas that cannot be continuously supervised. The Vogel's Autolock® mechanism securely locks the display in place, and the slim design creates a clean, elegant look. The PFW 4710 wall mount is suitable for 55 to 65 inch displays weighing up to 75 kg.

For displays mounted high on the wall, tilting the display forward helps create a better viewing angle. The PFW 4710 wall mount, 52 mm deep, can tilt up to 15°, in 0°, 7°, 12° and 15° increments. The PFW 4710 wall mount features a unique wall plate that allows installers to very precisely compensate for drilling tolerances to ensure level mounting. Mounting hardware is included. A solid security bar and padlock provide theft prevention while still allowing easy access to the display for servicing. All Vogel's products are TÜV5 certified for maximum safety.





# PFW 4710 Display wall mount tilt

VOGEL'S HOLDING BV 2018 (c) All rights reserved  
 Subject to printing errors, technical and price  
 amendments  
 Date: 18-04-2018

[www.vogels.com](http://www.vogels.com)

## Specifications

### Product specifications

Product type number	PFW 4710
Article number (SKU)	7047100
Colour	Black
EAN single box	8712285338663
TÜV certified	Yes
Tilt	Tilt up to 15°
Guarantee	5 years
Min. screen size (inch)	55
Max. screen size (inch)	65
Max. weight load (kg)	75
Min. hole pattern	100mm x 100mm
Max. hole pattern	600mm x 400mm
Max. bolt size	M8
Max. height of interface (mm)	438
Max. width of interface (mm)	727

Min. distance to the wall (mm) 52

### Features

Functionality	Tilt
Professional features	Fischer inside Lockable
Orientation	Landscape
Service position	No

