

PFT 2505
Display trolley

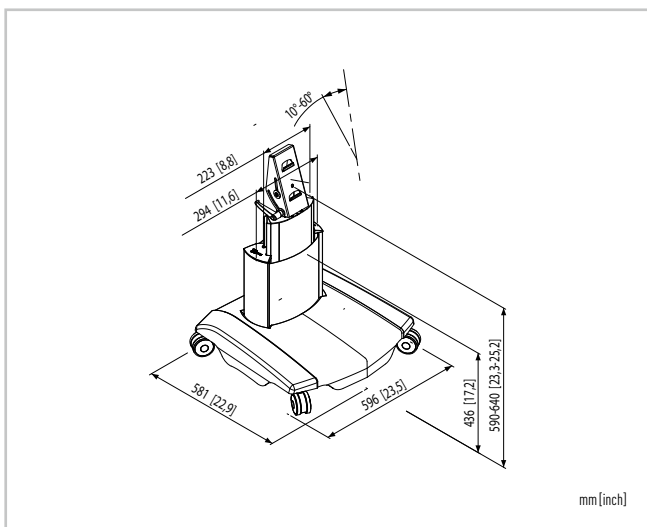


SIZE 81-165 cm / 32-65"

MAX. 70 kg / 154 lbs



- Height adjustable (59-64 cm)
- Autolock® locking system
- 10-60° tilting
- Cable storage under the base cover
- CIS® Cable Inlay System
- Mounting hole for anti theft cable
- NOT INCLUDING interface FAU 3125 / FAU 3150 (see page 11)



mm [inch]

PFT 2510
Display trolley

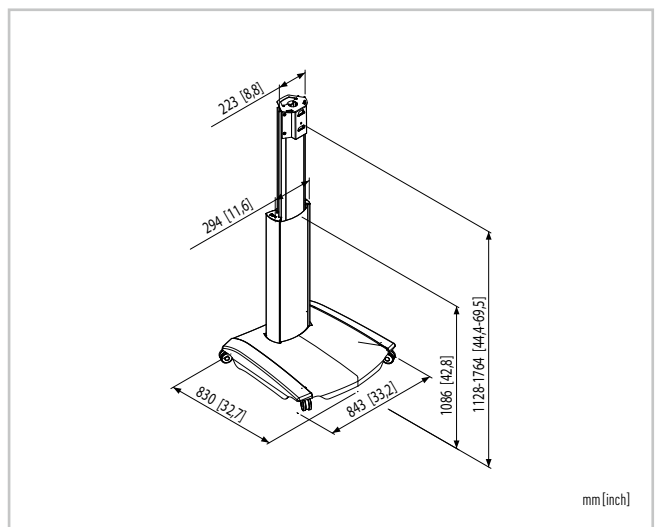


81-140 cm / 32-55"

55 kg / 121 lbs



- "Brand your Stand" front (easy customizable front)
- Height adjustable (113-177 cm)
- Autolock® locking system
- Cable storage under the base cover
- CIS® Cable Inlay System
- Mounting hole for anti theft cable
- NOT INCLUDING interface FAU 3125 / 3150 (see page 11)



mm [inch]

Type nr.	SIZE	Max.	Colour	Adjustability			TUV	Interface
				Tilt	Turn	Height		
PFT 2505	81-165 cm / 32-65"	70 kg / 154 lbs	●	✓	✓	✓	✓P	-
PFT 2510	81-140 cm / 32-55"	55 kg / 121 lbs	●	-	✓	✓	✓P	-

✓P = TUV for Professional use, ✓ = TUV
Visit www.vogels.com for more information.