

Interface bar PFB 3405

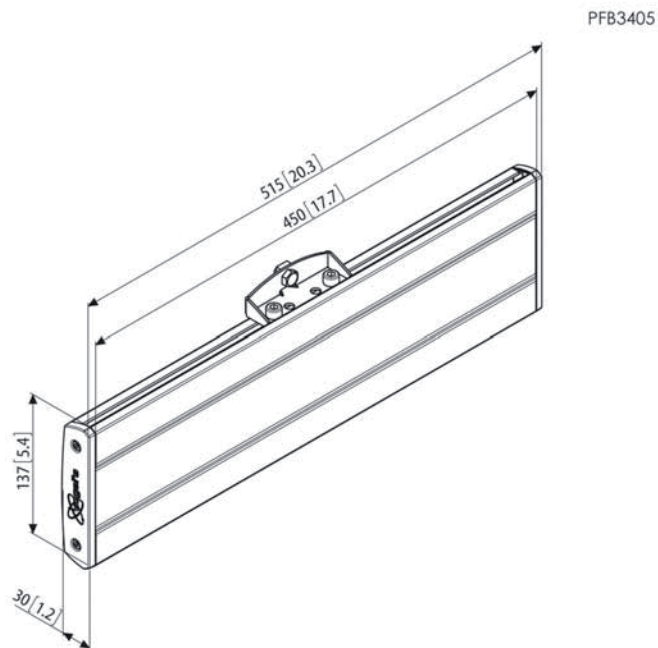


Specifications

The PFB 3405 interface bar is a part of the modular Connect-it system with which you can create your own ceiling solution for medium- to large-sized displays.



Interface bar PFB 3405



The PFB 3405 is suitable for medium- to large-sized displays up to 80 kg with a max. horizontal fitment of 450 mm. Combine this interface bar with one of the Connect-it ceiling plates (PUC 1060/ 1070/ 1080/ 1090), a Connect-it pole (PUC 2508/ 2515/ 2530) and Connect-it interface display strips (PFS 3303/ 3304/ 3305/ 3306/ 3308/ 3311) for a complete ceiling solution.

Features

- Interface bar PFB 34xx Series in 4 different lengths to exactly match the display
- Max. horizontal fitment: 450 mm
- Stylish aluminium design

Logistic information

- Packaging size: 198x535x74 mm
- Max. weight: 1 kg / 3 lbs
- EAN Code: 8712285318764

Interface bar
PFB 3407

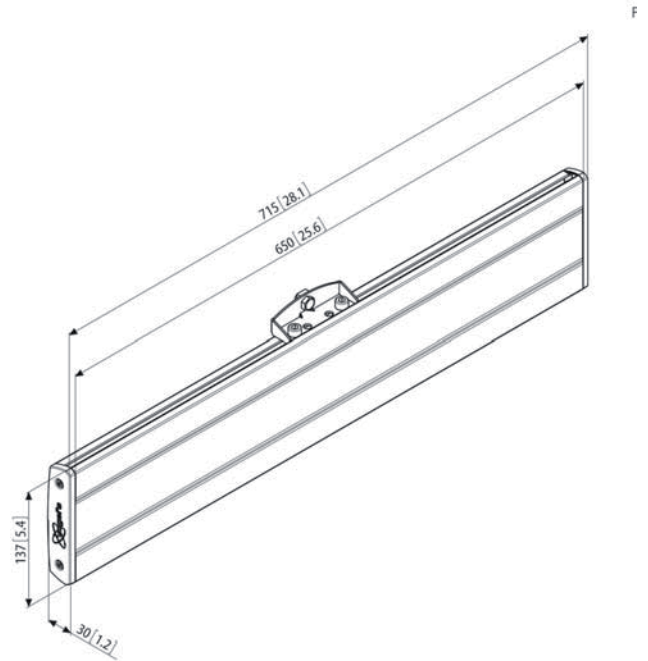


Specifications

The PFB 3407 interface bar is a part of the modular Connect-it system with which you can create your own ceiling solution for medium- to large-sized displays.



Interface bar PFB 3407



The PFB 3407 is suitable for medium- to large-sized displays up to 80 kg with a max. horizontal fitment of 650 mm. Combine this interface bar with one of the Connect-it ceiling plates (PUC 1060/ 1070/ 1080/ 1090), a Connect-it pole (PUC 2508/ 2515/ 2530) and Connect-it interface display strips (PFS 3303/ 3304/ 3305/ 3306/ 3308/ 3311) for a complete ceiling solution.

Features

- Interface bar PFB 34xx Series in 4 different lengths to exactly match the display
- Max. horizontal fitment: 650 mm
- Stylish aluminium design

Logistic information

- Packaging size: 198x735x74 mm
- Max. weight: 2 kg / 5 lbs
- EAN Code: 8712285318788

Interface bar
PFB 3409

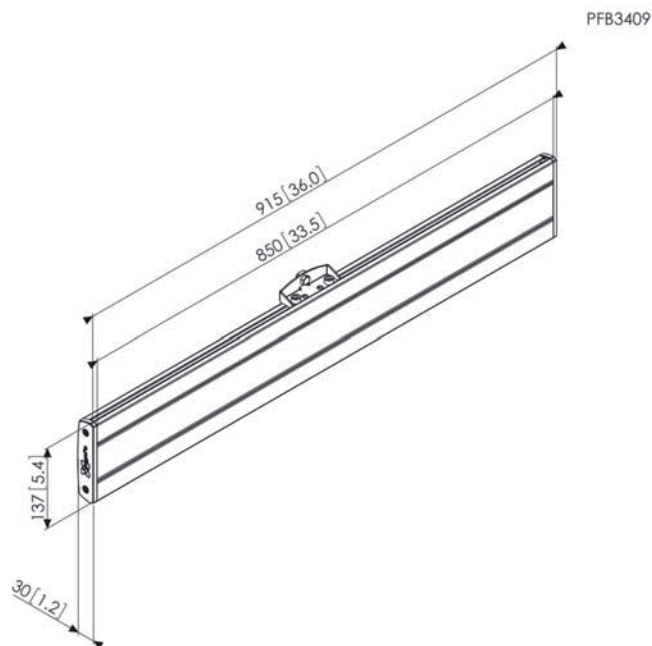


Specifications

The PFB 3409 interface bar is a part of the modular Connect-it system with which you can create your own ceiling solution for medium- to large-sized displays.



Interface bar PFB 3409



The PFB 3409 is suitable for medium- to large-sized displays up to 80 kg with a max. horizontal fitment of 850 mm. Combine this interface bar with one of the Connect-it ceiling plates (PUC 1060/ 1070/ 1080/ 1090), a Connect-it pole (PUC 2508/ 2515/ 2530) and Connect-it interface display strips (PFS 3303/ 3304/ 3305/ 3306/ 3308/ 3311) for a complete ceiling solution.

Features

- Interface bar PFB 34xx Series in 4 different lengths to exactly match the display
- Max. horizontal fitment: 850 mm
- Stylish aluminium design

Logistic information

- Packaging size: 198x935x74 mm
- Max. weight: 2 kg / 5 lbs
- EAN Code: 8712285318801

Interface bar PFB 3411

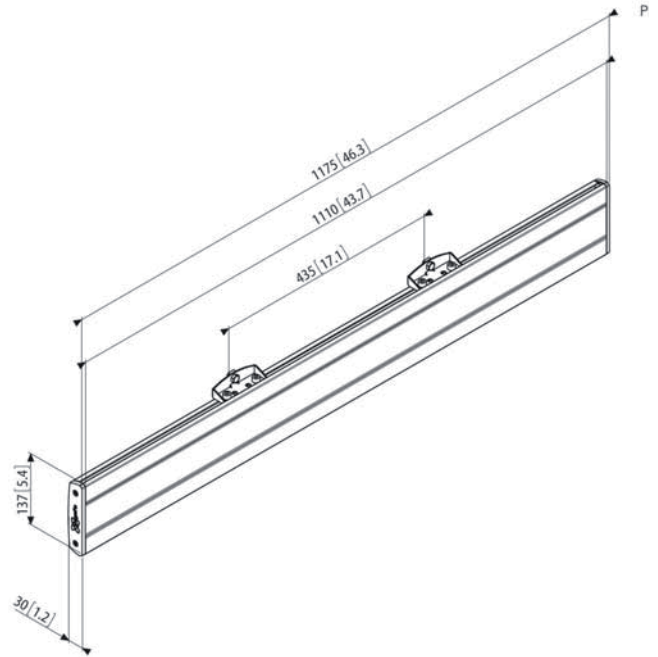


Specifications

The PFB 3411 interface bar is a part of the modular Connect-it system with which you can create your own ceiling solution for medium- to large-sized displays.



Interface bar PFB 3411



The PFB 3411 is suitable for medium- to large-sized displays up to 80 kg with a max. horizontal fitment of 1110 mm. Combine this interface bar with one of the Connect-it ceiling plates (PUC 1060/ 1070/ 1080/ 1090), a Connect-it pole (PUC 2508/ 2515/ 2530) and Connect-it interface display strips (PFS 3303/ 3304/ 3305/ 3306/ 3308/ 3311) for a complete ceiling solution.

Features

- Interface bar PFB 34xx Series in 4 different lengths to exactly match the display
- Max. horizontal fitment: 1110 mm
- Stylish aluminium design

Logistic information

- Packaging size: 198x1200x74 mm
- Max. weight: 4 kg / 8 lbs
- EAN Code: 8712285318825

Interface display strips PFS 3303

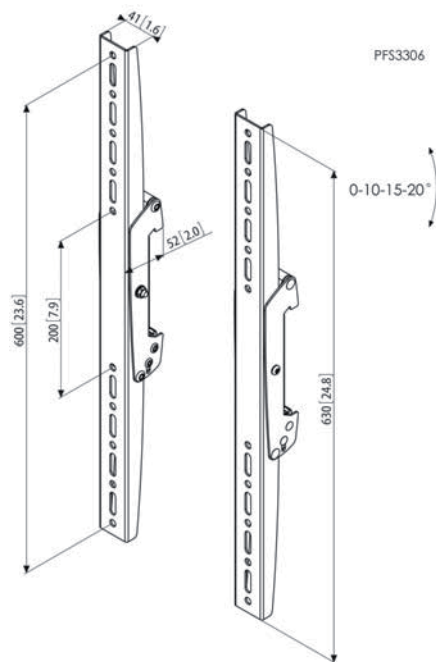


Specifications

The PFS 3303 interface display strips are a part of the modular Connect-it system with which you can create your own ceiling solution for medium- to large-sized displays.



Interface display strips PFS 3303



The PFS 3303 is suitable for medium- to large-sized displays up to 80 kg with a max. vertical fitment of 350 mm. Combine these interface display strips with one of the Connect-it ceiling plates (PUC 1060/ 1070/ 1080/ 1090), a Connect-it pole (PUC 2508/ 2515/ 2530) and a Connect-it interface bar (PFB 3405/ 3407/ 3409/ 3411) for a complete ceiling solution.

Features

- Interface display strips PFS 33xx Series in 6 different lengths to exactly match the display
- Max. vertical fitment: 350 mm
- Autolock locking system
- Stylish design

Logistic information

- Packaging size: 133x410x81 mm
- Max. weight: 2 kg / 5 lbs
- EAN Code: 8712285318849

Interface display strips PFS 3304

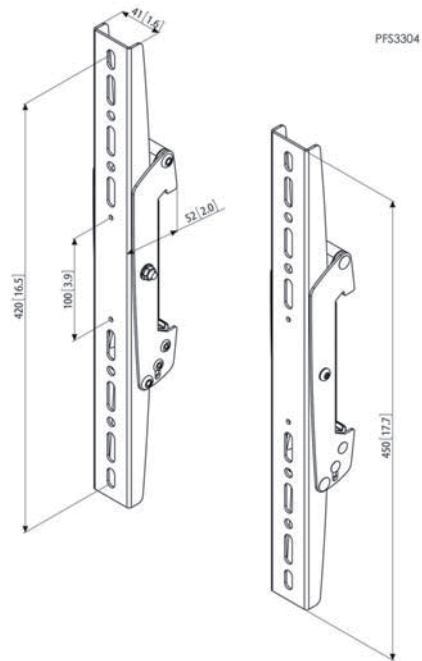


Specifications

The PFS 3304 interface display strips are a part of the modular Connect-it system with which you can create your own ceiling solution for medium- to large-sized displays.



Interface display strips PFS 3304



The PFS 3304 is suitable for medium- to large-sized displays up to 80 kg with a max. vertical fitment of 420 mm. Combine these interface display strips with one of the Connect-it ceiling plates (PUC 1060/ 1070/ 1080/ 1090), a Connect-it pole (PUC 2508/ 2515/ 2530) and a Connect-it interface bar (PFB 3405/ 3407/ 3409/ 3411) for a complete ceiling solution.

Features

- Interface display strips PFS 33xx Series in 6 different lengths to exactly match the display
- Incremental tilt function 10-15-20
- Autolock locking system
- Stylish design

Logistic information

- Packaging size: 133x480x81 mm
- Max. weight: 3 kg / 6 lbs
- EAN Code: 8712285318863

Interface display strips PFS 3305

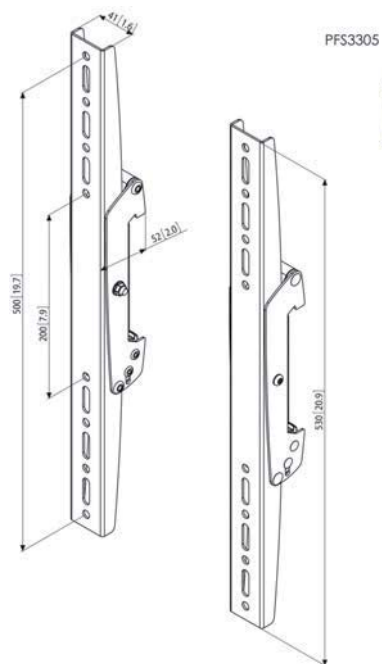


Specifications

The PFS 3305 interface display strips are a part of the modular Connect-it system with which you can create your own ceiling solution for medium- to large-sized displays.



Interface display strips PFS 3305



The PFS 3305 is suitable for medium- to large-sized displays up to 80 kg with a max. vertical fitment of 500 mm. Combine these interface display strips with one of the Connect-it ceiling plates (PUC 1060/ 1070/ 1080/ 1090), a Connect-it pole (PUC 2508/ 2515/ 2530) and a Connect-it interface bar (PFB 3405/ 3407/ 3409/ 3411) for a complete ceiling solution.

Features

- Interface display strips PFS 33xx Series in 6 different lengths to exactly match the display
- Max. vertical fitment: 500 mm
- Autolock locking system
- Stylish design

Logistic information

- Packaging size: 133x560x81 mm
- Max. weight: 3 kg / 6 lbs
- EAN Code: 8712285318887

Interface display strips PFS 3306

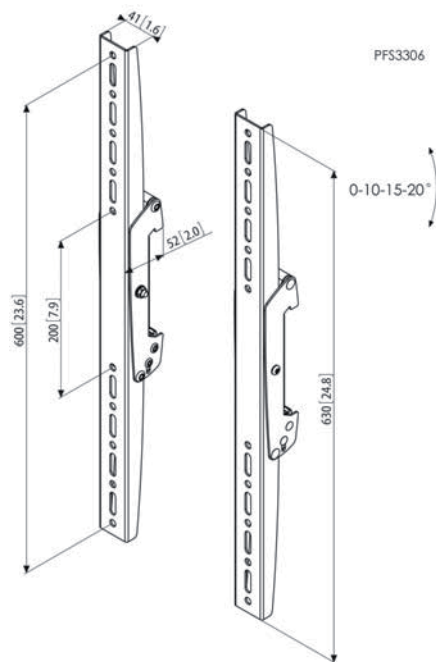


Specifications

The PFS 3306 interface display strips are a part of the modular Connect-it system with which you can create your own ceiling solution for medium- to large-sized displays.



Interface display strips PFS 3306



The PFS 3306 is suitable for medium- to large-sized displays up to 80 kg with a max. vertical fitment of 600 mm. Combine these interface display strips with one of the Connect-it ceiling plates (PUC 1060/ 1070/ 1080/ 1090), a Connect-it pole (PUC 2508/ 2515/ 2530) and a Connect-it interface bar (PFB 3405/ 3407/ 3409/ 3411) for a complete ceiling solution.

Features

- Interface display strips PFS 33xx Series in 6 different lengths to exactly match the display
- Max. vertical fitment: 600 mm
- Autolock locking system
- Stylish design

Logistic information

- Packaging size: 133x660x81 mm
- Max. weight: 3 kg / 7 lbs
- EAN Code: 8712285318900

Interface display strips
PFS 3308

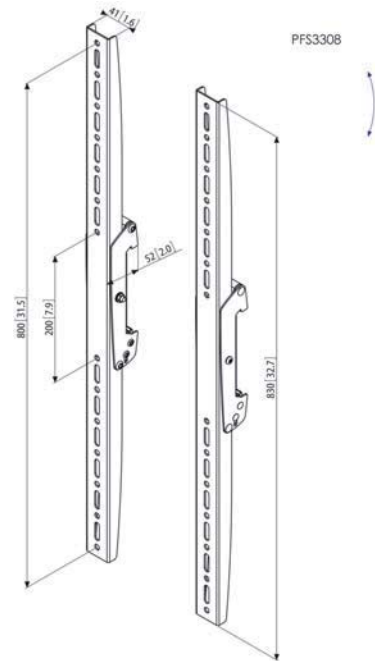


Specifications

The PFS 3308 interface display strips are a part of the modular Connect-it system with which you can create your own ceiling solution for medium- to large-sized displays.



Interface display strips PFS 3308



The PFS 3308 is suitable for medium- to large-sized displays up to 80 kg with a max. vertical fitment of 800 mm. Combine these interface display strips with one of the Connect-it ceiling plates (PUC 1060/ 1070/ 1080/ 1090), a Connect-it pole (PUC 2508/ 2515/ 2530) and a Connect-it interface bar (PFB 3405/ 3407/ 3409/ 3411) for a complete ceiling solution.

Features

- Interface display strips PFS 33xx Series in 6 different lengths to exactly match the display
- Max. vertical fitment: 800 mm
- Autolock locking system
- Stylish design

Logistic information

- Packaging size: 133x860x81 mm
- Max. weight: 4 kg / 8 lbs
- EAN Code: 8712285318924



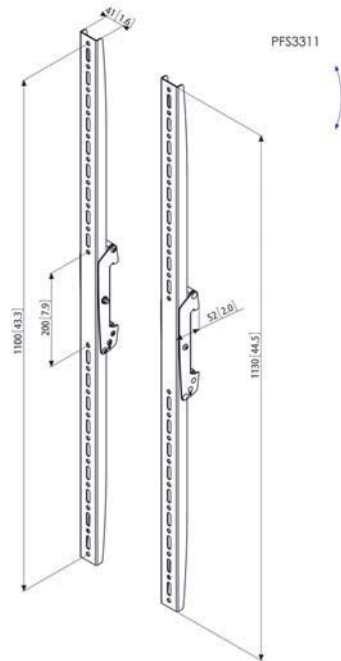
Interface display strips PFS 3311

Specifications

The PFS 3311 interface display strips are a part of the modular Connect-it system with which you can create your own ceiling solution for medium- to large-sized displays.



Interface display strips PFS 3311



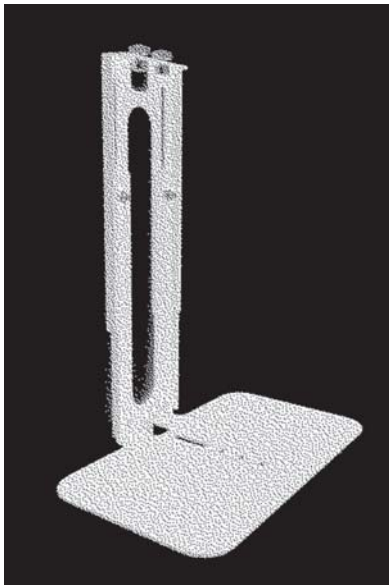
The PFS 3311 is suitable for medium- to large-sized displays up to 80 kg with a max. vertical fitment of 1100 mm. Combine these interface display strips with one of the Connect-it ceiling plates (PUC 1060/ 1070/ 1080/ 1090), a Connect-it pole (PUC 2508/ 2515/ 2530) and a Connect-it interface bar (PFB 3405/ 3407/ 3409/ 3411) for a complete ceiling solution.

Features

- Interface display strips PFS 33xx Series in 6 different lengths to exactly match the display
- Max. vertical fitment: 1100 mm
- Autolock locking system
- Stylish design

Logistic information

- Packaging size: 133x1160x81 mm
- Max. weight: 4 kg / 9 lbs
- EAN Code: 8712285318948



PFA 9110 Camera loudspeaker holder

Specifications

- Max. weight: 10 kg / 22 lbs
- Guarantee: 10 years

With the PFA 9110, a video conferencing camera and/or a loudspeaker can be mounted on any Connect-it interface bar. As a result, the PFA 9110 is also easy to use in combination with other Connect-it applications.

PFA 9110 is suitable for the PFF 5100 video conferencing furniture.

Camera or loudspeaker can be positioned above or below the display.



PFA 9110 Camera loudspeaker holder

Features

Logistic information

- Packaging size: 295x190x52 mm
- Max. weight: 2 kg / 5 lbs
- EAN Code: 8712285322761

PFA 9111 Video conferencing loudspeaker



Specifications

The PFA 9111 (RS232-485) loudspeaker is especially developed for video conferencing. The loudspeaker is equipped with patented technology which produces unparalleled, clear (vocal) sound reproduction. Because of this special filter technology the sound reaches much further into the room, even at low volumes, than conventional loudspeakers.

The PFA 9111 loudspeaker exactly matches the PFF 5100 video conferencing furniture.



PFA 9111 Video conferencing loudspeaker

In addition to the usual audio input, the built-in digital amplifier has a port for RS232-485 communication. This makes it possible to operate and control the loudspeaker remotely in larger installations.

Features

- Loudspeaker system: stereo 1,5 way basreflex with 4 drivers
- Output power: 2 x 25 Watt
- Class-D amplifier
- Frequentie bereik: 40-20.000 Hz
- Inputs: 1 x stereo cinch, 1 x RS232-485
- Power supply: 110-230 V

Logistic information

- Packaging size: 708x208x115 mm
- Max. weight: 4 kg / 8 lbs
- EAN Code: 8712285322747