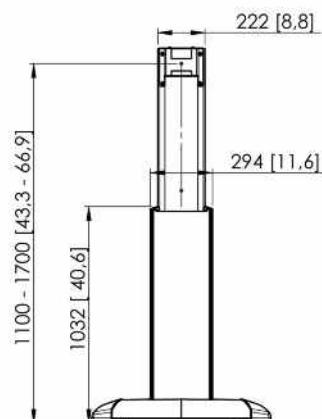




PFF 2420 DISPLAY FLOOR STAND

With the PFF 2420 flat display floor stand Vogel's sets a new reference in AV trolleys/stands. Superb quality and design in combination with features as full cable management, height adjustment and autolock makes this new display floorstand one of a kind.

Main Color	Black
Guarantee	5 years
Adjustable height	Yes
Min. screen size (inch)	32"
Max. screen size (inch)	65"
Max. screen weight (kg)	70



PFF 2420 DISPLAY FLOOR STAND

The new series of AV trolleys/stands are designed to provide maximum communication power or design integration. The trolley needs to be combined with the Connect-it interface bars and interface display strips.

To create a complete video conferencing solution use the Vogel's camera/loudspeaker holders and loudspeakers. PFF 2420 is the floor stand without wheels in this series. Leveling feet are included.

Features

- Cable management
- Cable storage under the base cover
- Height adjustable

Logistic information

EAN Code Product	8712285331107
Net weight including packaging (kg)	25.4
Single Box Width (mm)	1016
Single Box Length (mm)	1076
Single Box Height (mm)	242