

**PFF 2410**  
Display floor stand

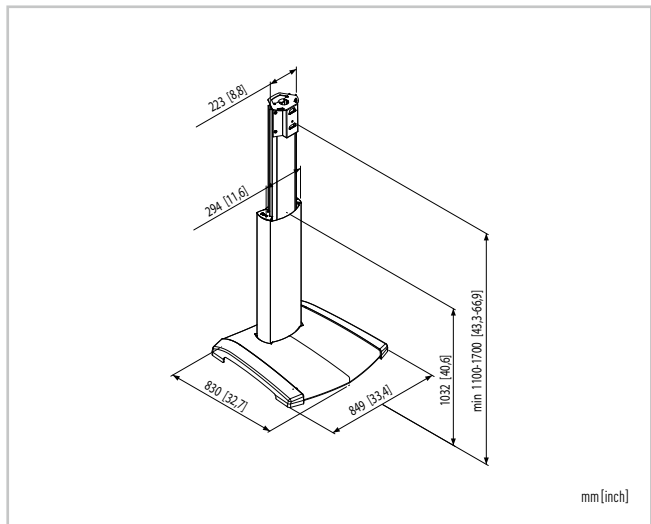


SIZE 81-165 cm / 32-65"

MAX. 70 kg / 154 lbs



- "Brand your Stand" front (easy customizable front)
- Height adjustable (110-170 cm)
- Autolock® locking system
- Cable storage under the base cover
- CIS® Cable Inlay System
- Mounting hole for anti theft cable
- NOT INCLUDING interface FAU 3125 / FAU 3150 (see page 11)



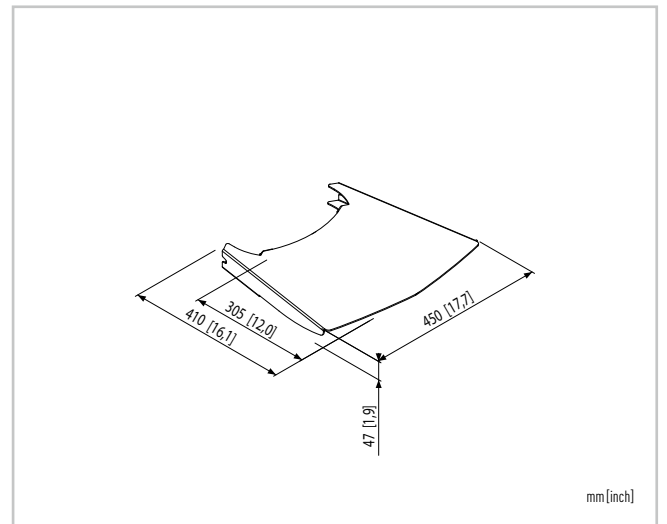
**PFA 9033**  
Accessory shelf



10 kg / 22 lbs



- Optional accessory shelf for PPT 2300 / PFF 2410 / PFT 2510
- Variable height positioning
- Multiple shelves per trolley / stand possible
- Can be mounted on front or back



| Type nr. | SIZE               | Max.            | Colour | Tilt | Adjustability | Turn | Height | TUV | Interface |
|----------|--------------------|-----------------|--------|------|---------------|------|--------|-----|-----------|
| PFF 2410 | 81-165 cm / 32-65" | 70 kg / 154 lbs | ●      | -    | ✓             | ✓    | ✓      | ✓P  | -         |
| PFA 9033 | -                  | 10 kg / 22 lbs  | ●      | -    | -             | ✓    | ✓      | ✓P  | -         |

✓P = TUV for Professional use, ✓ = TUV  
Visit [www.vogels.com](http://www.vogels.com) for more information.