

PFA 9030
Turn & tilt unit



SIZE $\leq 26''$

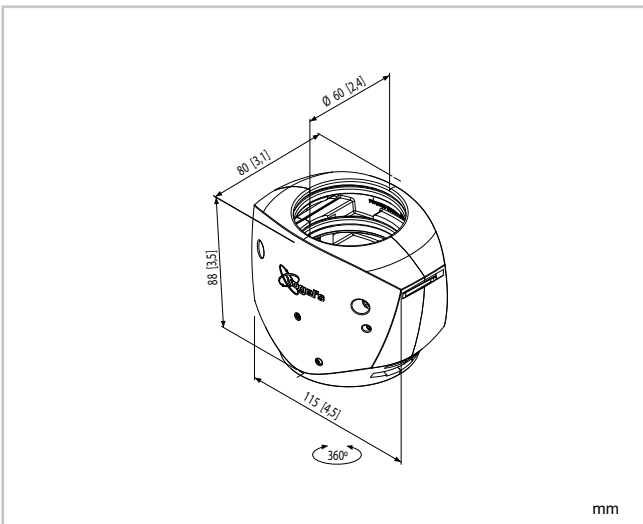
MAX. 20 kg / 44 lbs

●

Fits on PFA extension tubes (see page 15) or standard $\varnothing 60$ mm tube

- Turn and 15° tilt function
- Suitable for:
 - 1 x FAU-D interface for single display
 - 2 x FAU-D interface for 2 displays back-to-back
 - 1 x FAU-E interface for sky mounting*

* Not every display may be suitable for sky mounting. Check the manual.



Type nr.	SIZE	Max.	Colour	Adjustability			TUV
				Tilt	Turn	Height	
PFW 9030	$\leq 26''$	20 kg / 44 lbs	●	✓	✓	✓	✓P

✓P = TUV for Professional use, ✓ = TUV
Visit www.vogels.com for more information.