

PFF 1500
Display floor stand

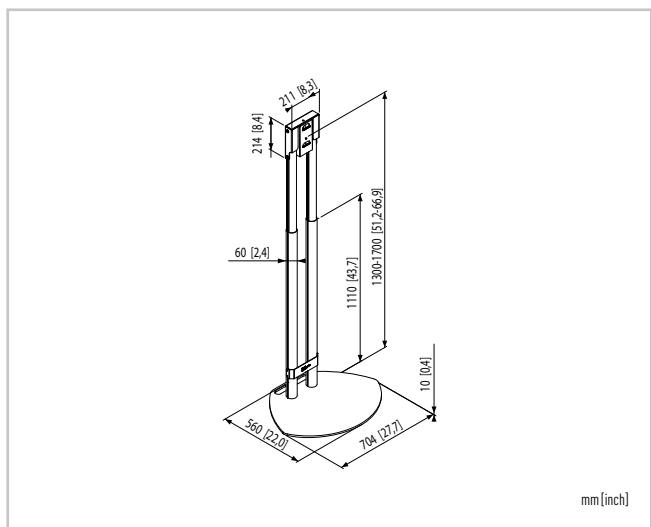


SIZE 78-107 cm / 31-42"

MAX. 40 kg / 88 lbs



- Sturdy design
- CIS® Cable Inlay System
- Adjustable height 1300-1700 mm (center display)
- Easy and compact in transport (only 2 components)
- NOT INCLUDING universal interface FAU 3125 / FAU 3150 (see page 11)



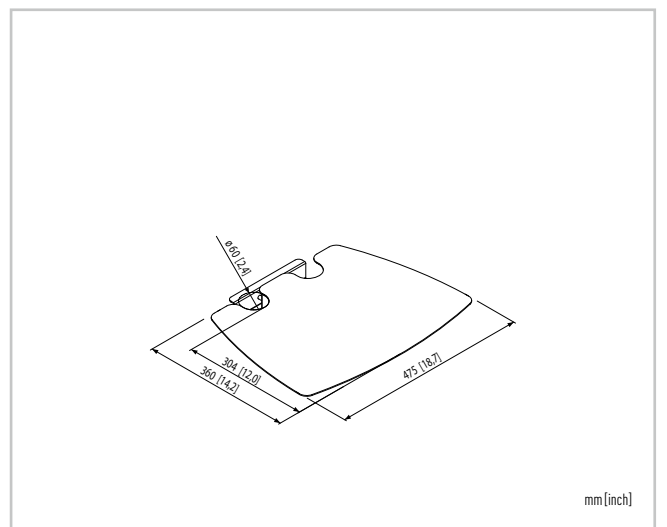
PFA 9027
Accessory shelf for PFF 1500



10 kg / 22 lbs



- Optional accessory shelf for PFF 1500
- Variable height positioning
- Multiple shelves per stand possible



Type nr.	SIZE	Max.	Colour	Adjustability			TUV	Interface
				Tilt	Turn	Height		
PFF 1500	78-107 cm / 31-42"	40 kg / 88 lbs	●	-	-	✓	✓P	-
PFA 9027	-	10 kg / 22 lbs	●	-	-	✓	✓P	-

✓P = TUV for Professional use, ✓ = TUV
 Visit www.vogels.com for more information.