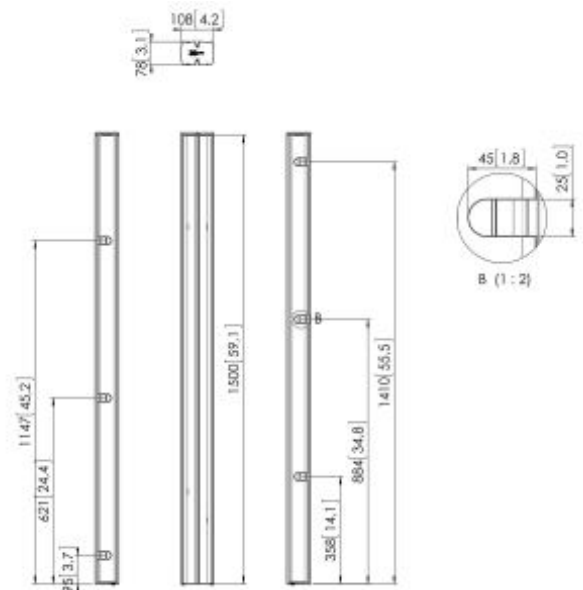




## PUC 2715 Pole black

The poles are the connection between the floor base and display interface and are available in 3 different lengths, 150cm, 180cm and 200 cm. The poles are provided with a multiple cable management (CIS®) and can be combined with all Connect-it accessories. The PUC 27xx Series can only be used in combination with the floor solutions.





## **PUC 2715 Pole black**



# **Specifications**

<i>Article number (SKU)</i>	7227150
<i>Colour</i>	Black
<i>EAN single box</i>	8712285323621
<i>Length</i>	1500
<i>TÜV certified</i>	Yes
<i>Guarantee</i>	5 years
<i>Back-to-back displays</i>	True
<i>Connect It exceptions</i>	2x if inches gte 65

VOGEL'S HOLDING BV (c)

All rights reserved.  
Subject to printing errors,  
technical and price  
amendments.

Date: 2022-02-11



**Vogel's.** For Sure.