

PUC 2430 Pole 300 cm black

Article number (SKU)
Colour

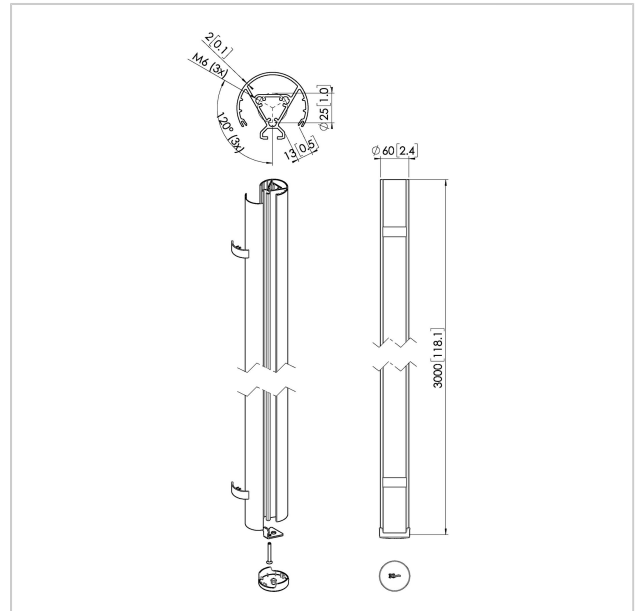
7224300
Black

Key Benefits

- Stylish high-end design
- Modular components
- Cable management
- Also suitable for sloped ceilings
- Easy install

The PUC 2430 is an 300 cm pole and is a part of the modular Connect-it system with which you can create your own ceiling solution for small- to medium-sized displays.

The PUC 2430 is equipped with a double cable duct system with which you can quickly and simply ensure that all cables are concealed. The pole is made of aluminum and, therefore, it can be easily cut at the required length. Therefore, combine a pole with one of the Connect-it ceiling plates and a Connect-it interface for a complete ceiling solution.



PUC 2430 Pole 300 cm black

www.vogels.com



VOGEL'S HOLDING BV 2019 (c) All rights reserved.
Subject to printing errors, technical and price amendments.
Date:2020-03-25

Specifications

Product type number	PUC 2430
Article number (SKU)	7224300
Colour	Black
EAN single box	8712285344541
Length	3000
Width	60
TÜV certified	Yes
Guarantee	5 years
Max. weight load (kg)	40
Back-to-back displays	False

