

PUC 2422 Pole 220 cm silver

Article number (SKU)
Colour

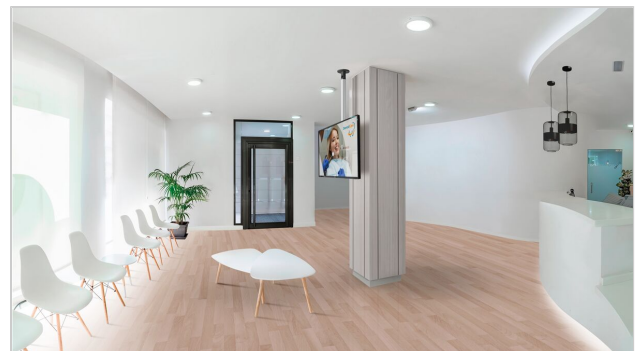
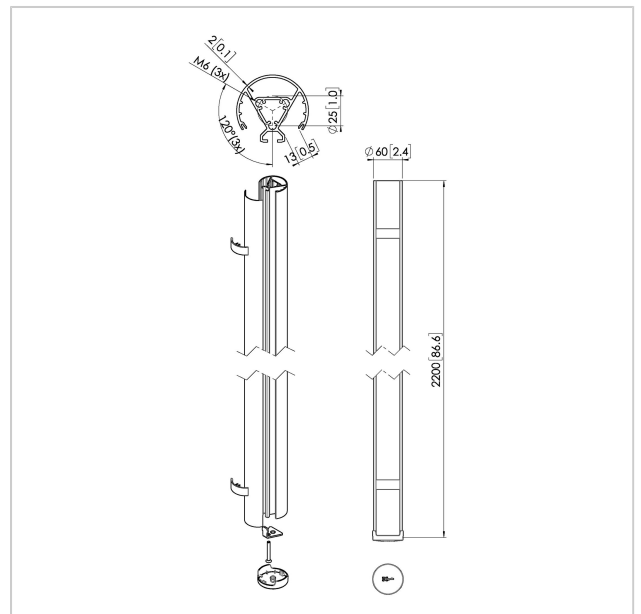
7224224
Silver

Key Benefits

- Stylish high-end design
- Modular components
- Cable management
- Also suitable for sloped ceilings
- Easy install

The PUC 2422 is an 220 cm pole and is a part of the modular Connect-it system with which you can create your own ceiling solution for small- to medium-sized displays.

The PUC 2422 is equipped with a double cable duct system with which you can quickly and simply ensure that all cables are concealed. The pole is made of aluminum and, therefore, it can be easily cut at the required length. Therefore, combine a pole with one of the Connect-it ceiling plates and a Connect-it interface for a complete ceiling solution.



PUC 2422 Pole 220 cm silver

www.vogels.com



VOGEL'S HOLDING BV 2019 (c) All rights reserved.
Subject to printing errors, technical and price amendments.
Date:2020-03-25

Specifications

Product type number	PUC 2422
Article number (SKU)	7224224
Colour	Silver
EAN single box	8712285344527
Length	2200
Width	60
TÜV certified	Yes
Guarantee	5 years
Max. weight load (kg)	40
Back-to-back displays	False

