

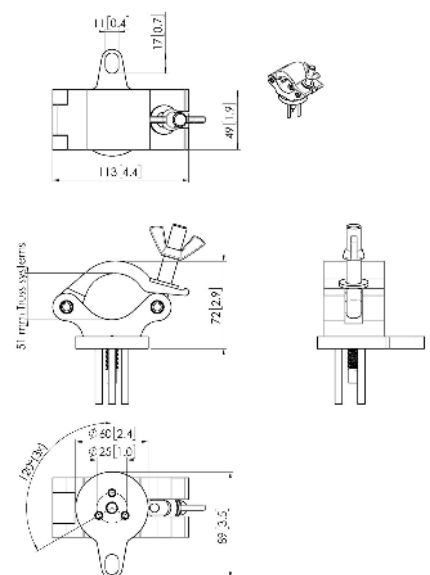


## PUC 1051 Truss adapter PUC 24xx

### Key Benefits

- Easy to install
- Solid construction

The PUC 1051 truss adapter is part of the modular Connect-it system with which you can create your own truss solution for small- to medium-sized displays. The PUC 1051 can be combined with the PUC 24xx





## PUC 1051 Truss adapter PUC 24xx

# Specifications

Article number (SKU)	7210514
Colour	Stainless Steel
EAN single box	8712285344404
Height	72
Width	113
Depth	49
TÜV certified	Yes
Guarantee	5 years
Max. weight load (kg)	40
Ceiling plate options	Truss system
Ceiling types	Truss system

VOGEL'S HOLDING BV (c)

All rights reserved.  
Subject to printing errors,  
technical and price  
amendments.

Date: 2021-10-27



**Vogel's.** For Sure.