

Ceiling plate PUC 1080



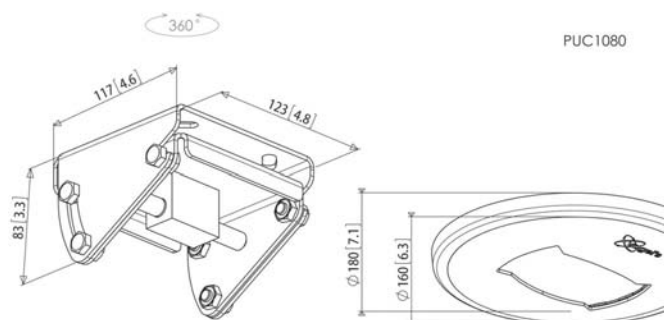
Specifications

- Max. weight: 80 kg / 176 lbs
- Guarantee: 5 years

The PUC 1080 ceiling plate is a part of the modular Connect-it system with which you can create a ceiling solution for medium- to large-sized displays.



Ceiling plate PUC 1080



"This ceiling plate is suitable for flat and inclined ceilings (up to 60°). The display can be turned in any required position. Combine this ceiling plate with one of the poles from the Connect-it Series (PUC 2508/ 2515/ 2530), Connect-it interface bar (PFB 3405/ 3407/ 3409/ 3411) and Connect-it interface display strips (PFS 3303/ 3304/ 3305/ 3306/ 3308/ 3311) for a complete ceiling solution.

Features

- Ceiling plate suitable for inclined and flat ceilings (up to 60°)
- Multi directional

Logistic information

- Packaging size: 160x262x149 mm
- Max. weight: 2 kg / 4 lbs
- EAN Code: 8712285320767