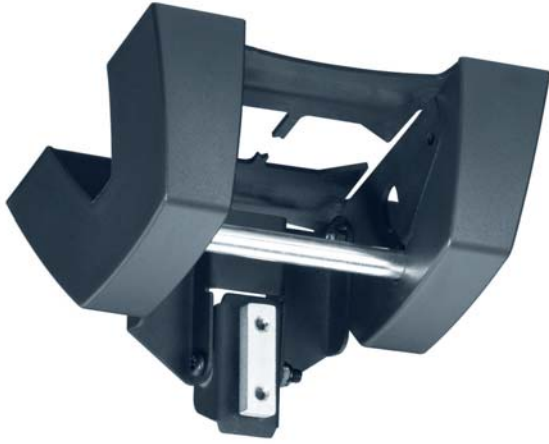


Ceiling plate
PUC 1070



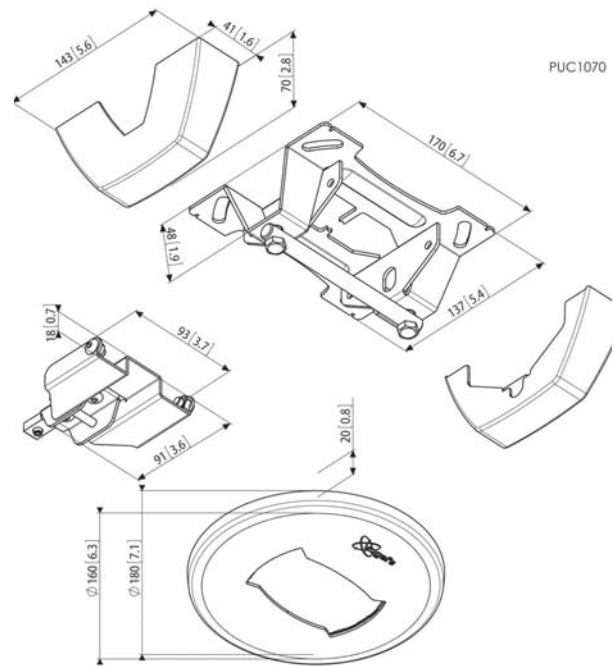
Specifications

- Max. weight: 80 kg / 176 lbs
- Guarantee: 5 years
- Available colours: Black

The PUC 1070 ceiling plate is a part of the modular Connect-it system with which you can create a ceiling solution for medium- to large-sized displays.



Ceiling plate PUC 1070



This ceiling plate is suitable for flat and inclined ceilings (up to 90°). PUC 1070 has a fixed display position to the ceiling plate and can not be turned. It is ideal for 90 degrees angled mounting in front of window or in a vide. Combine this ceiling plate with one of the poles from the Connect-it Series (PUC 2508/ 2515/ 2530), Connect-it interface bar (PFB 3405/ 3407/ 3409/ 3411) and Connect-it interface display strips (PFS 3303/ 3304/ 3305/ 3306/ 3308 /3311) for a complete ceiling solution.

Features

- Ceiling plate suitable for inclined and flat ceilings
- Inclined ceilings up to 90°
- Cover included for false ceilings
- Max. load: (2x) 80 kg / (2x) 176 lbs

Logistic information

- Packaging size: 160x262x149 mm
- Max. weight: 1 kg / 2 lbs
- EAN Code: 8712285318689