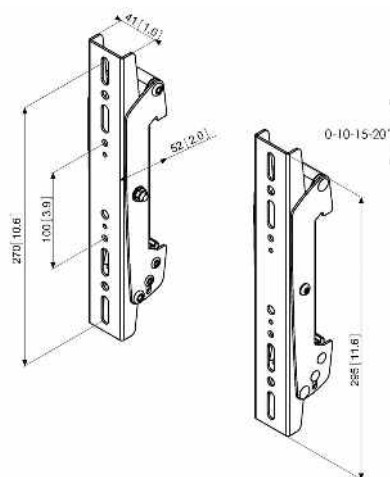




## PFS 3302 Interface display strips, 295 mm

The PFS 3302 interface display strips is part of the modular Connect-it system with which you can create your own ceiling or floor solution for medium to large sized displays.

<b>Main Color</b>	Black
<b>Guarantee</b>	5 years
<b>Max. screen weight (kg)</b>	80
<b>Hole pattern (mm)</b>	Min. x75 / Max. x270



## PFS 3302 Interface display strips, 295 mm

The PFS 3302 is suitable for medium to large sized displays up to 80 kg with a max. vertical fitment of 270 mm.

For creating a ceiling solution combine the PFS 3302 with a Connect-it ceiling plate, pole (PUC 25xx Series) and interface bar (PFB 34xx Series).

For creating a floor solution combine the PFS 3302 with a Connect-it floor plate/ trolley, pole (PUC 27xx Series) and interface bar (PFB 34xx Series).

The PFS 3302 can also be combined with the motorized products (PFFE 7110, PFTE 7112, PFEWE 7150).

## Features

### Logistic information

<b>EAN Code Product</b>	8712285323041
<b>Net weight including packaging (kg)</b>	1.5
<b>Single Box Width (mm)</b>	340
<b>Single Box Length (mm)</b>	133
<b>Single Box Height (mm)</b>	81