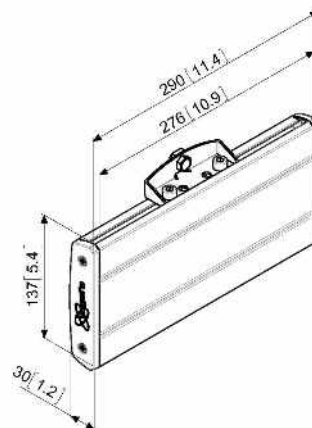




## PFB 3402 Interface bar 290 mm silver

The PFB 34xx interface bar is part of the modular Connect-it system with which you can create your own ceiling, floor or wall solution.

<b>Main Color</b>	Silver
<b>Also available in the color:</b>	Black
<b>Guarantee</b>	5 years
<b>Max. screen weight (kg)</b>	80
<b>Hole pattern (mm)</b>	Min. 75x / Max. 225x



### PFB 3402 Interface bar 290 mm silver

The PFB 3402 has a max. horizontal fitment of 225 mm and can be combined with the display interface strips of the PFS 3xxx Series.

### Features

#### Logistic information

<b>EAN Code Product</b>	8712285323027
<b>Net weight including packaging (kg)</b>	1.2
<b>Single Box Width (mm)</b>	198
<b>Single Box Length (mm)</b>	310
<b>Single Box Height (mm)</b>	74