



CT241511 B Ceiling mount turn

Article number (SKU)
Colour

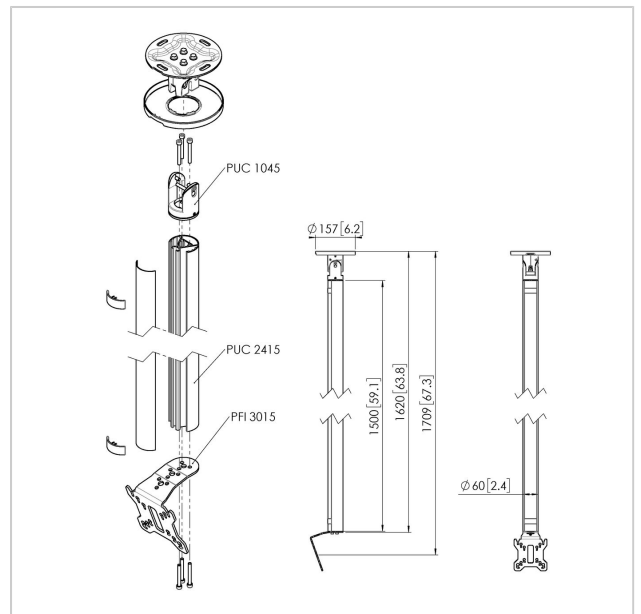
7955030
Black

Key Benefits

- Stylish high-end design
- Easy install
- Rotatable

Ceiling mount kit CT241511

Display size: Fitment: 100x100Max. load: 30 kg - 66 lbs Kit consists of: • 1x PUC 1045 Ceiling plate turn and tilt • 1x PUC 2415 Pole 150 cm • 1x PFI 3015 Display interface





CT241511 B Ceiling mount turn

www.vogels.com

VOGEL'S HOLDING BV 2019 (c) All rights reserved.
Subject to printing errors, technical and price amendments.
Date: 2020-08-26

Specifications

Product type number	CT241511	Min. screen size (inch)	10
Article number (SKU)	7955030	Min. vertical hole pattern (mm)	50
Colour	Black	Orientation	Landscape / Portrait
EAN single box	8712285346965	Universal or fixed hole pattern	Fixed
Length	1779		
Width	130		
Depth	135		
TÜV certified	Yes		
Tilt	Tilt up to 20°		
Turn	Up to 20°		
Guarantee	5 years		
Max. weight load (kg)	30		
Max. bolt size	M4		
Max. height of interface (mm)	141		
Max. width of interface (mm)	130		
Ceiling types	Flat / inclined ceiling		
Levelling function	Post-installation horizontal levelling		
Max. distance to ceiling - center display (mm)	1709		
Max. horizontal hole pattern (mm)	100		
Max. screen size (inch)	32		
Max. vertical hole pattern (mm)	100		
Min. horizontal hole pattern (mm)	50		