



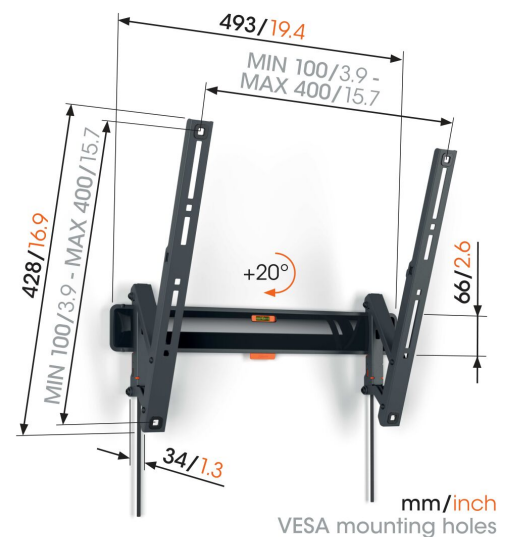
## TVM 3415 Tilting TV Wall Mount

### Key Benefits

- Effortless tilting - Avoid reflections and tilt up to 20°
- Family friendly TV watching - Easy to use, safe for your family
- Lock your TV with a single click through ClickLoc™
- Spirit level included
- Protective TV patches - Protect the rear of your TV with soft protective patches

### Stylish and safe: tilting TV wall mount for TVs from 32 to 65 inches

The COMFORT Tilt TV wall mount is ideal if you want to mount your TV a bit higher on the wall, for example in your bedroom. Your TV is mounted stylishly and safely. And you can tilt the screen up to 20° to create a comfortable viewing angle. The TV wall mount is suitable for TVs from 32 to 65 inches and weighing up to 25 kg.





## TVM 3415 Tilting TV Wall Mount



# Specifications

Article number (SKU)	3834150
Colour	Black
EAN single box	8712285347740
Product size	M
Height	428
Width	493
TÜV certified	Yes
Tilt	Tilt up to 20°
Guarantee	10 years
Min. screen size (inch)	32
Max. screen size (inch)	65
Max. weight load (kg)	25
Min. hole pattern	100mm x 100mm
Max. hole pattern	400mm x 400mm
Max. bolt size	M8
Max. height of interface (mm)	428
Max. width of interface (mm)	493
Min. distance to the wall (mm)	33
Spirit level included	Yes
Universal or fixed hole pattern	Universal

VOGEL'S HOLDING BV (c)

All rights reserved.  
Subject to printing errors,  
technical and price  
amendments.

Date: 2021-09-30



**Vogel's.** For Sure.