

INSTALLATION INSTRUCTIONS

CONTENT:

1. Important safety instructions.
2. Specifications and main dimensions.
3. Anti-squeeze feature function.
4. Parts included.
5. Installation.
6. Adjusting the stroke length of the lift.
7. Declaration of conformity.



WARNING

WARNING: FAILURE TO COMPLY WITH OR OBSERVE ALL ASSEMBLY, SAFETY AND OPERATION INSTRUCTIONS AND WARNINGS REGARDING THE USE OF THIS PRODUCT MAY RESULT IN SERIOUS BODILY INJURY.



1. Important safety Instructions.

CAUTION: Before you begin any of the Installation procedures (4. Installation.), read and follow the warnings and safety instructions on this page.

WARNING ! THIS IS NOT A TOY !

**WARNING ! CHILDREN SHOULD NOT OPERATE LIFT OR
REMOTE CONTROL !**

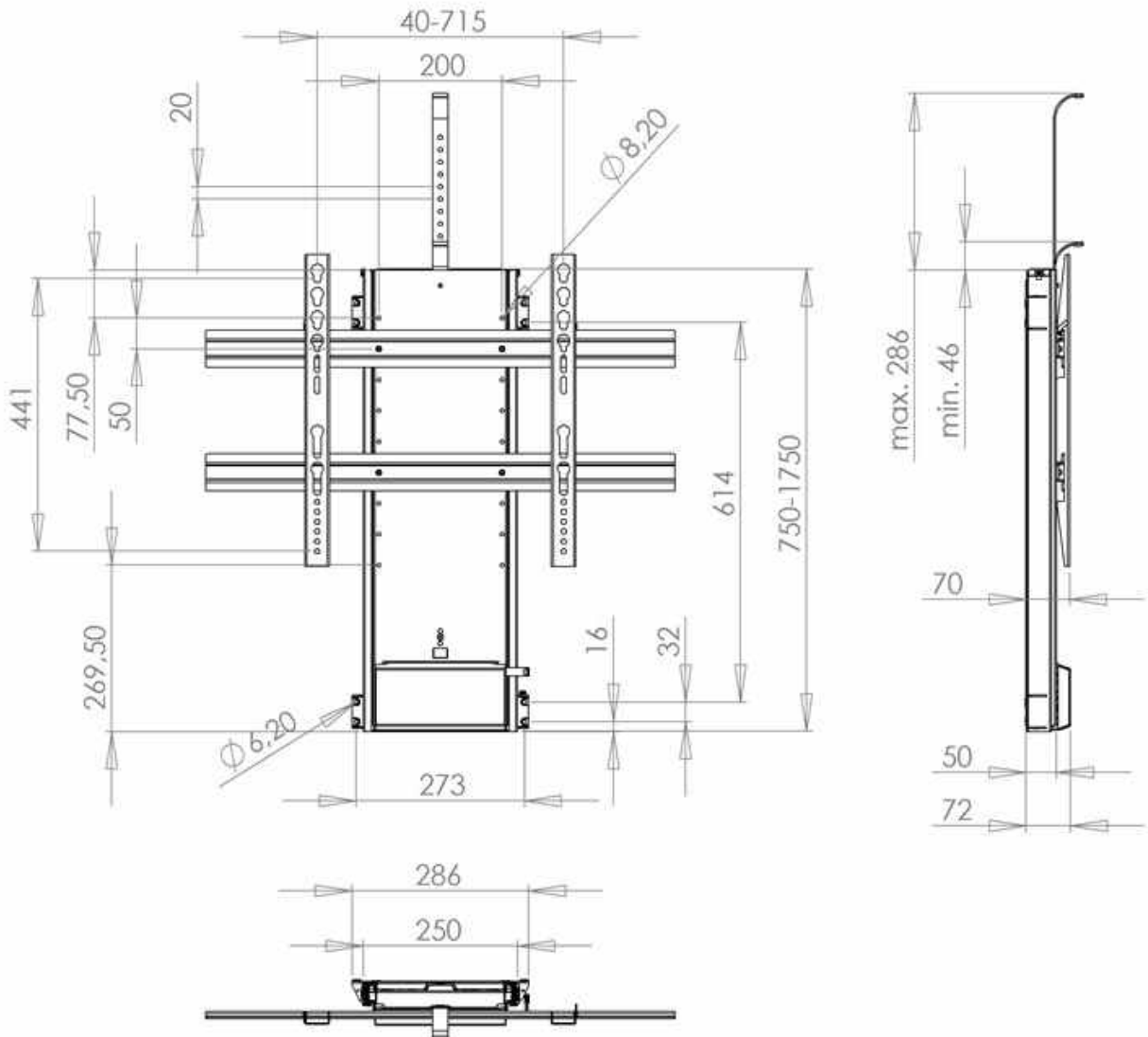
Use the following safety guidelines to help protect your lift from potential damage and to ensure your own personal safety.

- Read all the installation instructions before testing or installing your lift.
- Read and follow all safety instructions.
- Keep remote control and manual rocker switch out of reach of children.
- To prevent bodily injury keep hands and clothing away from the lift while the lift is in operation.
- Before installing the lift or working with its connections, unplug the lift from the electricity main supply.
- Do not install the lift, power supply or R.F. module in places subject to high temperatures for example near a radiator, or heating vent.
- The TV lift must only be mounted in a dry area and it must be ensured before use that the lift is safe or protected from liquid contact or spillage.
- To avoid damaging the power supply, R.F. module and power cord, do not put anything on it or place it where it could become damaged.
- Unplug the lift in the following conditions:
 - When the power cord or plug is damaged or frayed.
 - If the lift, power supply or RF module has been exposed to rain or water or any liquid contamination whatever.
 - If the lift exhibits a distinct change in performance, indicating a need for attention.
- MANUFACTURERS who build this lift into other products or use it with other products, MUST make sure to prevent bodily injury. The MANUFACTURER of the final product is responsible to give the end user proper warnings and instructions for use.

Electric TV Lift, TS700A & TS1000A



Main dimensions, TS1000A [mm]:



VESA, TS1000A:
600x400, 600x200, 600x100
400x400, 400x200, 400x100
300x300, 200x200, 200x100

3. Anti squeeze – auto reverse function (ASAR).

THE FACTORY DEFAULT SETTING OF ASAR = OFF.

See page 9 for instructions of how to set this to 'ON' if the system is required.

The anti-squeeze incorporates auto-reverse. Once it is set to 'ON' then if the lift hits an item or gets trapped on the downward stroke, it will automatically reverse back up approximately 3cm and then stop. The pressure/squeeze given before reversing is approximately equal to the weight of the TV that is mounted.

A lift run without the minimum 5kg load added will cause the system to trip out. This can be reset in 2 ways;

a) Press down hard on the lift while operating the manual switch downwards

or if this is unsuccessful.

b) Remove 'Jumper D', run the lift and refit jumper D (see page 9 for instruction)

The decision to set ASAR ON or OFF depends on the type of installation. The customer would always decide.

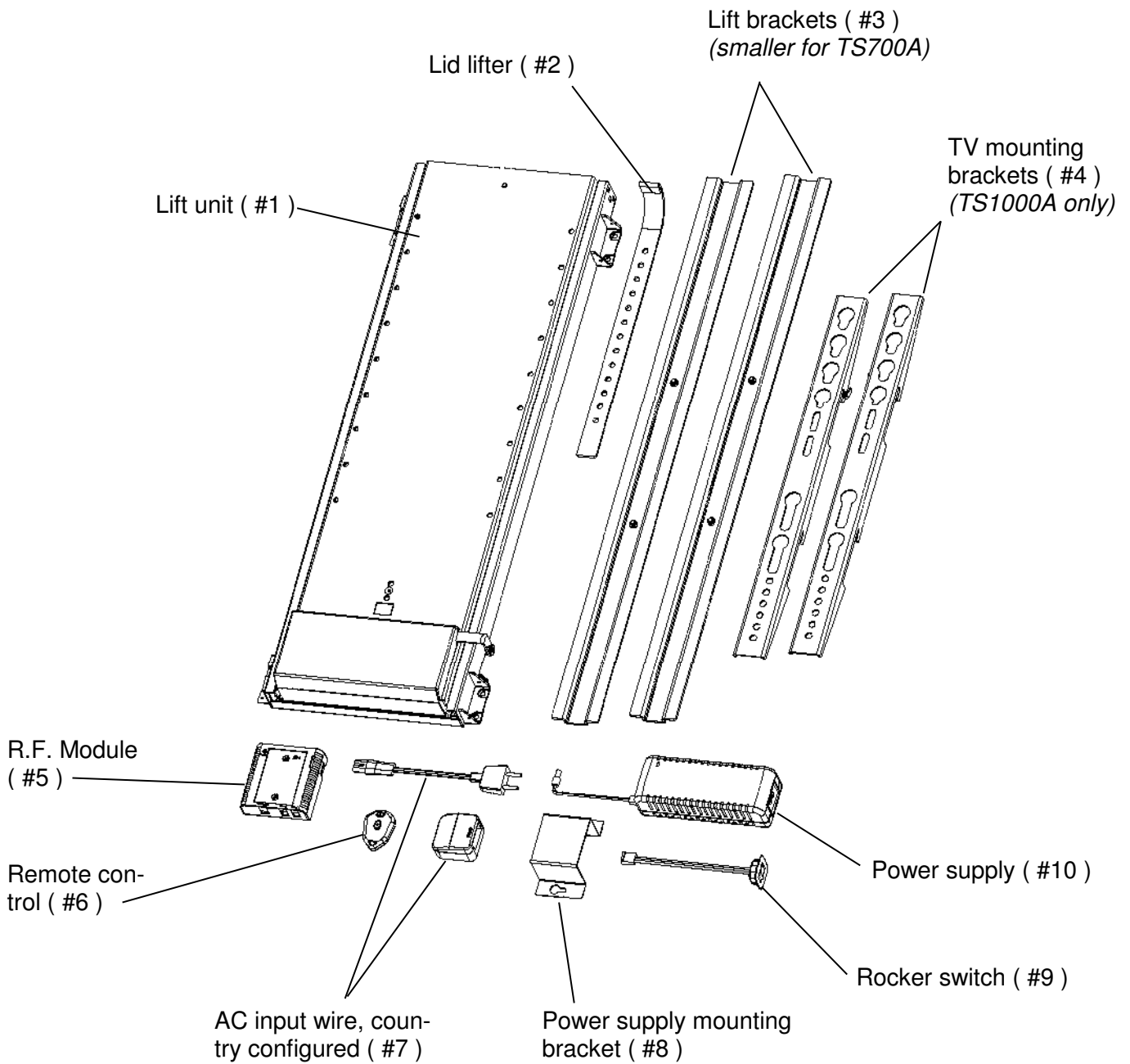
An example where it is switched on could be above a kitchen work top where should it hit something left on the work top when lowering then you want it to stop and reverse automatically to release the trapped item.

Electric TV Lift, TS700A & TS1000A



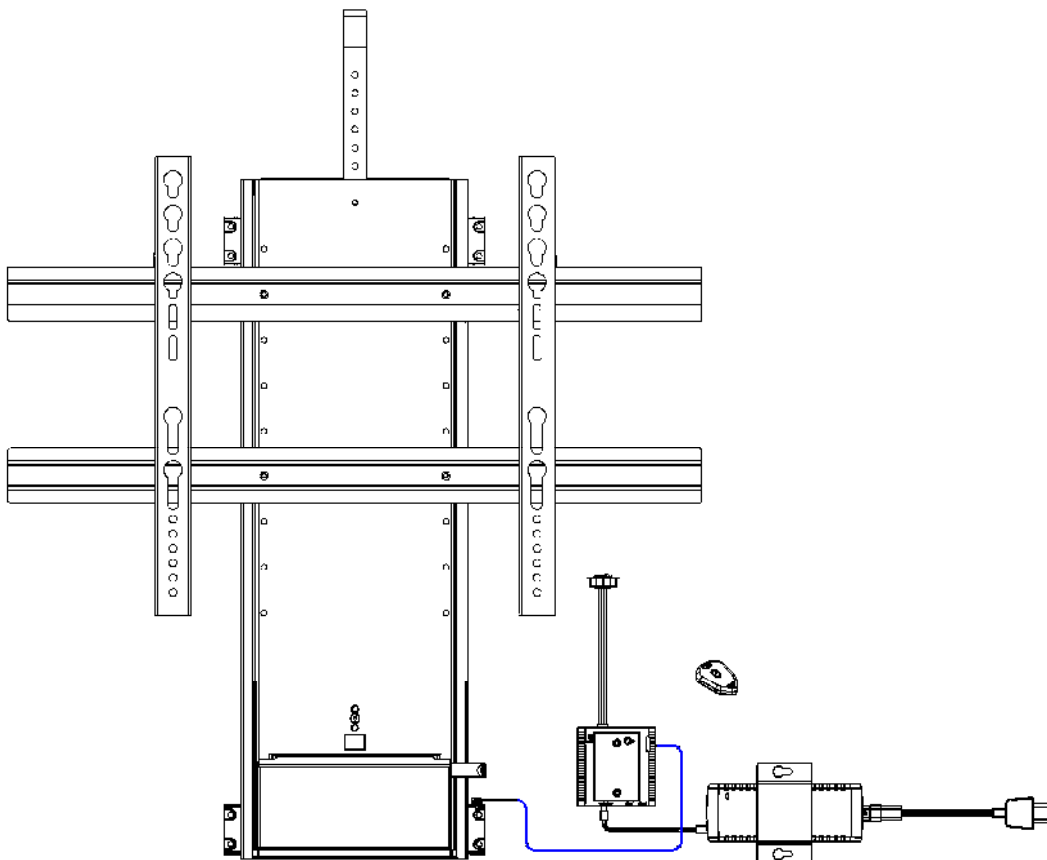
4. Parts included.

- Lift unit (#1)
- Lid lifter (#2)
- Lift brackets (#3)
- TV mounting brackets (#4) (*TS1000A only*)
- R.F. Module (#5)
- Remote control (#6)
- AC input wire, country configured (#7)
- Power supply bracket (#8)
- Rocker switch (#9)
- Power supply (#10)



5. Installation.

- 1) Remove all contents from packaging and compare with parts list.
- 2) Place the lift unit (#1) on e.g. the back panel of the cabinet** in a location that will allow full up and down movement of the lift.
- 3) Fasten the unit securely to the cabinet. Screws must be appropriate for the material being used.
- 4) Connect the plugs from lift unit (#1) and power supply (#10) to R.F. Module (#5). Please also refer to the separate user instruction for the remote unit, next page.



- 5) Mount rocker switch (#9) in an easy location by cutting a $\varnothing 30$ hole and pressing the switch into place. Secure excess wire to keep away from moving parts.
- 6) Plug the power cord into main electrics and add minimum 5kg and operate manual rocker switch. See troubleshooting guide on www.venset.com, click "support".

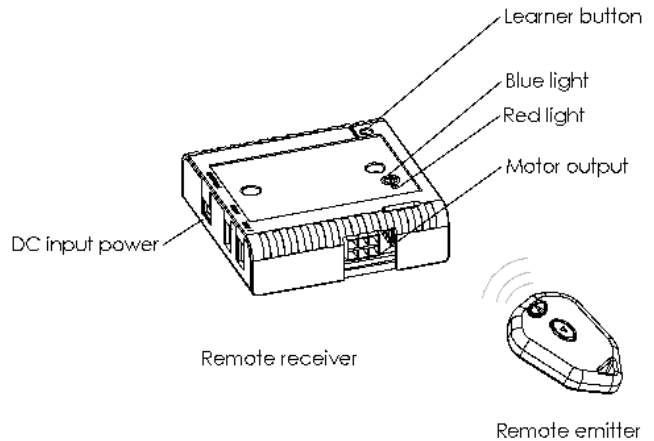
Helpful hint: Mount TV lift and electronics to plywood panel and attach to inside back of cabinet using appropriate number of screws. This allows all components to be removed from the cabinet if necessary. If this is not possible, create an access panel to the electronics.

** Aim to create access for wear and tear replacement stroke service.

User instruction, RF remote system

Installation

- connect the power supply and the motor unit to the remote receiver. 2 different plug sizes make this connection only possible to make in the right way
- after having connected the plugs, the blue light will be lit
- push the emitter buttons and the motor unit will move up and down
- for stopping the motion one of the buttons need to be pushed



Learning

- if the remote receiver does not respond when pushing the emitter buttons, reset the receiver. After that, code the emitter and receiver together again

Coding

- push the learner button on the receiver for less than 1 sec.
- push one of the emitter buttons
- the red light will start flashing
- push one of the emitter buttons again and the red light will turn off
- the units now are coded together with a unique code

Reset

- push and hold down the learner button on the receiver for 10 sec. (will be reset when the red light turns off).

External rocker switch

- the external rocker switch can be connected to the receiver, if a fixed operation unit is required.

Trouble shooting

- check the plug connections
- check whether the blue light is on
- reset the receiver and make a new coding
- always test the lift on the manual rocker switch
- see www.venset.com , click "support"

Electric TV Lift, TS700A & TS1000A



Setting options for operation of lift

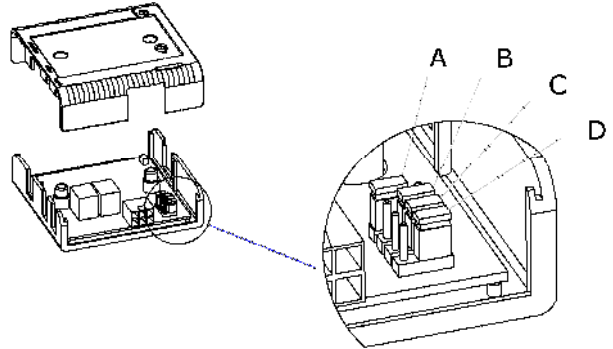
This remote system has 4 adjustable 'jumpers' inside the remote receiver box, these each connect 2 pins on the PCB and can be lifted and repositioned 'Left' or 'Right' or removed by placing the jumper on just one pin for storage.

Jumper A – Power safety cut off time:

Default 'Left' = 60 seconds. If moved to the right position then the lift will power off automatically after the motor has run for 20 seconds.

Jumper B – Remote emitter function:

Default 'Right' = the buttons on the emitter only need to be pushed once for operation. If moved to the left position then the emitter button will need to be held down during the operation of the lift, ie..for use where a higher level of safety may be required.



Jumper C – Auto-reverse time (type A lifts only):

Default 'Right' = a reverse period of 1 sec. (3cm). If moved to the left position, the reverse time is reduced to 0.6 of a second. Jumper C settings only operate if the ASAR is ON.

Jumper D – Anti-squeeze auto-reverse (ASAR) on/off or upside down use:

Default 'OFF' = The jumper is placed on one pin for storage, ASAR is OFF.

If the ASAR setting is changed to ON then the lift must be loaded with at least 5KG.

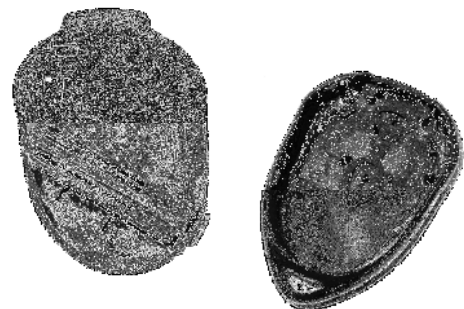
See page 5, for a full description of ASAR

ASAR ON – Right position = for when the lift is mounted upright, ie. floor standing, normal TV cabinet or end of bed installation

ASAR ON – Left position = for when the lift is mounted upside down, ie. ceiling mounted or mounted in a wall mounted cabinet with the lift lowering the TV down out of the bottom of the cabinet.

Change of battery in emitter (battery type 27A/12V)

- remove lid on back side
- lift up battery
- place new battery



Please be aware that storing emitter in environment with high humidity may damage the product.

FCC Statement

This device complies with Part 15 of the FCC rules. Operation is subject to the following two conditions; 1) This device may not cause any harmful interference and 2) This device must accept any interference received, including interference that may cause undesired operation.

6. Adjusting the stroke length of the lift.

Adjusting the bottom stop:

The bottom stop can be adjusted to any preferred height, e.g. if you don't want the lift to go all the way down into the cabinet. You can adjust just one or both end stops.

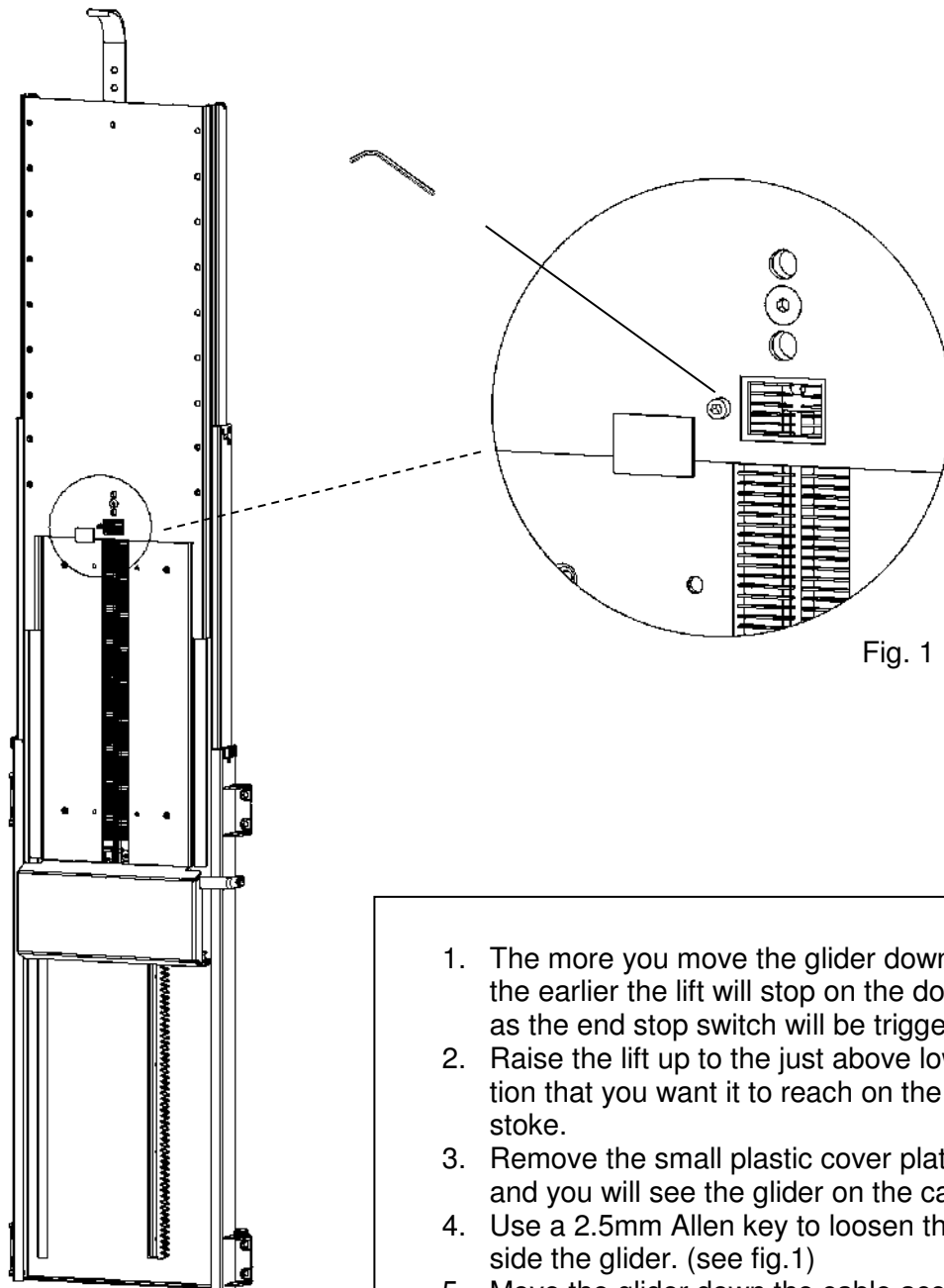


Fig. 1

1. The more you move the glider down the cable the earlier the lift will stop on the down stroke as the end stop switch will be triggered sooner.
2. Raise the lift up to the just above lowest position that you want it to reach on the down stroke.
3. Remove the small plastic cover plate (see fig.1) and you will see the glider on the cable.
4. Use a 2.5mm Allen key to loosen the screw inside the glider. (see fig.1)
5. Move the glider down the cable accordingly and tighten the screw securely.
6. Replace the plastic cover plate, the glider will no longer be in this window.
7. Test the lift fully up and down and check the desired bottom stop position is as you require.

Adjusting the top stop:

The top stop can be adjusted to any preferred height, e.g. if you don't want the lift to go all the way up out of the cabinet. You can adjust just one or both end stops.

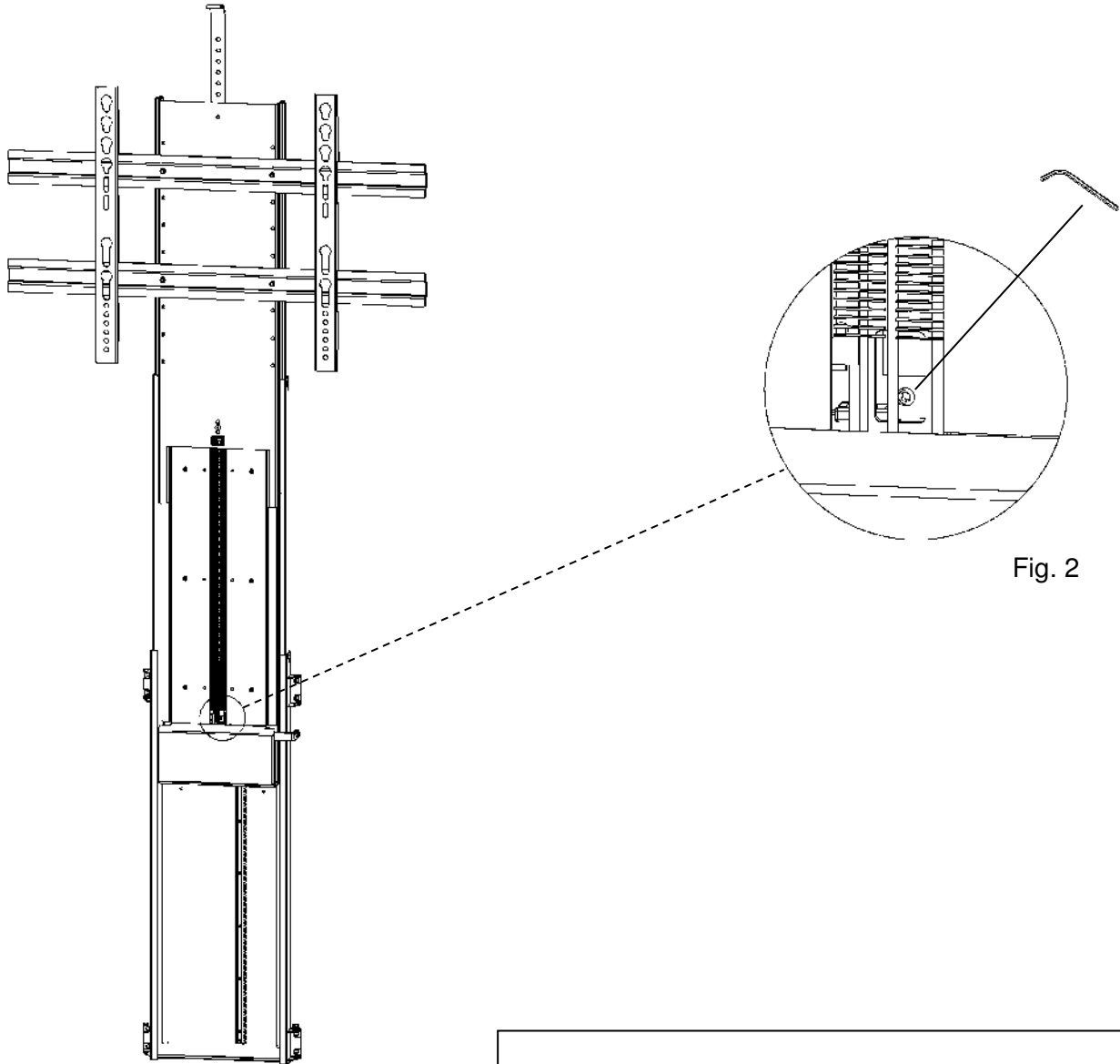


Fig. 2

1. The more you move the glider down the cable the earlier the lift will stop on the up stroke as the end stop switch will be triggered sooner.
2. Raise the lift up to full height.
3. You will see the glider on the cable below the nylon brushes (see fig.2)
4. Use a 2.5mm Allen key to loosen the screw inside the glider. (see fig.2)
5. Move the glider down the cable accordingly and tighten the screw securely.
6. Test the lift fully up and down and check the desired top stop position is as you require.

7. Declarations of conformity.

Overensstemmelseserklæring

Declaration of conformity

Fabrikant (navn og adresse): VENSET A/S, Nygade 63, DK-6900 Skjern, Denmark
Manufacturer (name and address):

Erklærer hermed, at følgende produkt:
Hereby certify that the following product:

Benævnelse, mærke, type: Elektrisk TV-lift, TS700 & TS1000 series
Description, ID/mark, type: Electric TV-lift, TS700 & TS1000 series

Evt. serienr.: Alle efter serie nr. V-00067
Serial No. if any: All after serial No. V-00067

Er fremstillet i overensstemmelse med Europa-Parlamentets og Rådets Direktiv af 15. december 2004 om indbyrdes tilnærmelse af medlemsstaternes lovgivning om elektromagnetiske kompatibilitet (2004/108/EF) ifølge standarderne DS/EN 55014-1:2007, DS/EN 55014-2:1997, DS/EN 61000-3-2:2006, EN 61000-3-3:2008
Complies with the EMC directive 2004/108/EC according to the standards DS/EN 55014-1:2007, DS/EN 55014-2:1997, DS/EN 61000-3-2:2006, EN 61000-3-3:2008

og er fremstillet i overensstemmelse med Europa-Parlamentets og Rådets Direktiv af 12. december 2006 om indbyrdes tilnærmelse af medlemsstaternes lovgivning om elektrisk materiel bestemt til anvendelse inden for visse spændingsgrænser (2006/95/EF) ifølge standarden DS/EN 60335-1:2006
and complies with the DIRECTIVE 2006/95/EC OF THE EUROPEAN PARLIAMENT AND OF THE COUNCIL of 12 December 2006 on the harmonization of the laws of Member States relating to electrical equipment designed for use within certain voltage limits (codified version) according to the standard DS/EN 60335-1:2006

Navn, titel og underskrift af fabrikanten:
Name, title and signature of manufacturer:

28/8-2008
Dato/date


M. Overgaard
Approval Engineer
Underskrift/signature


VENSET A/S
Nygade 63 · DK-6900 Skjern
Tel: +45 9735 4611 · Fax: +45 9735 4631

EF – komponenterklæring type "bilag II B"

EEC Declaration of a component "appendix II B"

Fabrikant (navn og adresse):
Manufacturer (name and address): VENSET A/S, Nygade 63, 6900 Skjern, Denmark

Erklærer hermed, at følgende produkt:
Hereby certify that the following product:

Benævnelse, mærke, type: Description, ID/mark, type:	Elektrisk TV-lift, TS700 & TS1000 series Electric TV-lift, TS700 & TS1000 series
Evt. serienr.: Serial No. if any:	Alle efter serie nr. V-00067 All after serial No. V-00067
Evt. bemyndigede organ og nr. Notified body if any:	Teknologisk Institut, Århus, Denmark
Evt. EF- typeattest: EEC-type certificate if any:	
Evt. Harmoniserede standarder: Harmonised standards if any:	

Er fremstillet i overensstemmelse med bekendtgørelse nr. 561 af 24. juni 1994, der gennemfører EUROPA-PARLAMENTETS OG RÅDETS DIREKTIV 98/37/EF
Made according to announcement No. 561 of June 24, 1994 that implements the DIRECTIV 98/37/EF

Ovennævnte produkt må **IKKE** tages i brug, før den maskine, hvori det er indbygget eller hvortil det skal anvendes er erklæret i overensstemmelse med alle relevante bestemmelser.
Above product may **not** be taken into use, before the machine into which is has been built in or to which purpose it must be used for, conform to any relevant regulations.

Navn, titel og underskrift af fabrikanten:
Name, title and signature of manufacturer:

28/8-2009

Dato/date


M. Overgaard
Approval Engineer

Underskrift/signature


VENSET A/S
Nygade 63 · DK-6900 Skjern
Tel: +45 9735 4611 · Fax: +45 9735 4631

The information in this document is subject to change without notice.

Mounting instruction, VESA 300x300 / 400x300 / 400x400

