

Table of contents

Article numbers	page 3
Packing details	page 4
Bill of materials	page 5
Assembly and use	page 6
Dimensions	page 7
Specifications	page 8
Safety & test	page 9

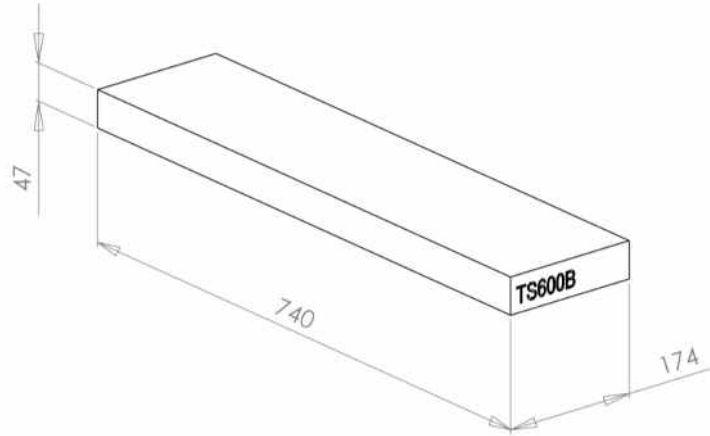
Article numbers

Article number	EAN code
TS600B 7BXX1	5 708499 132190

Ordering example

TS	600	B	7	B	XX1	
					Free numbers	
				Colour	B = black RAL 9004	
			AC Plug and voltage	4 = NZ/AUS, 2-Pin plug, 100-240VAC 7 = EU & UK, 2-Pin plug, 100-240VAC 8 = US, 2-Pin plug, 100-240VAC		
		Configuration	A or B			
		Stroke	600 = 600mm			
		Mechanism type	TS = TV Stand			

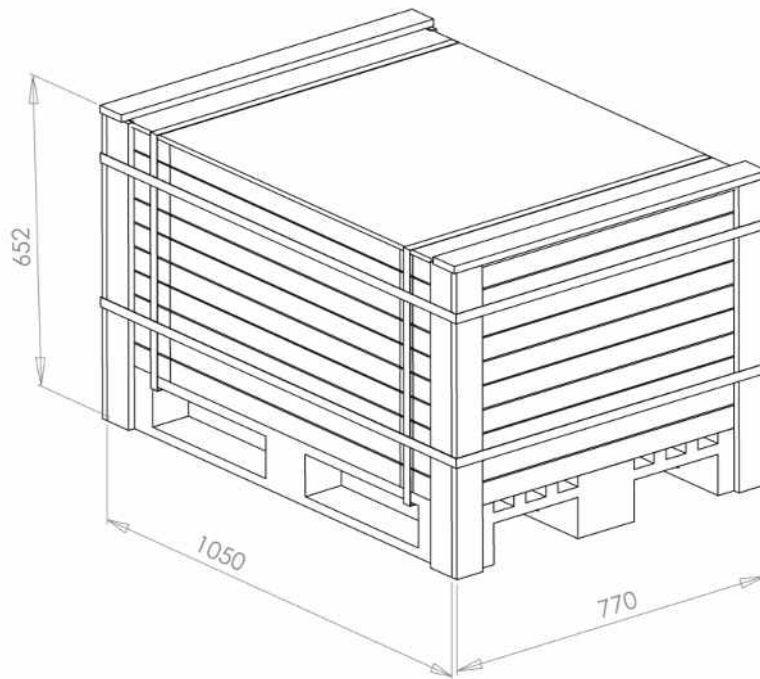
Packing details



1 pcs.

6,5 kg

0,0061 m³

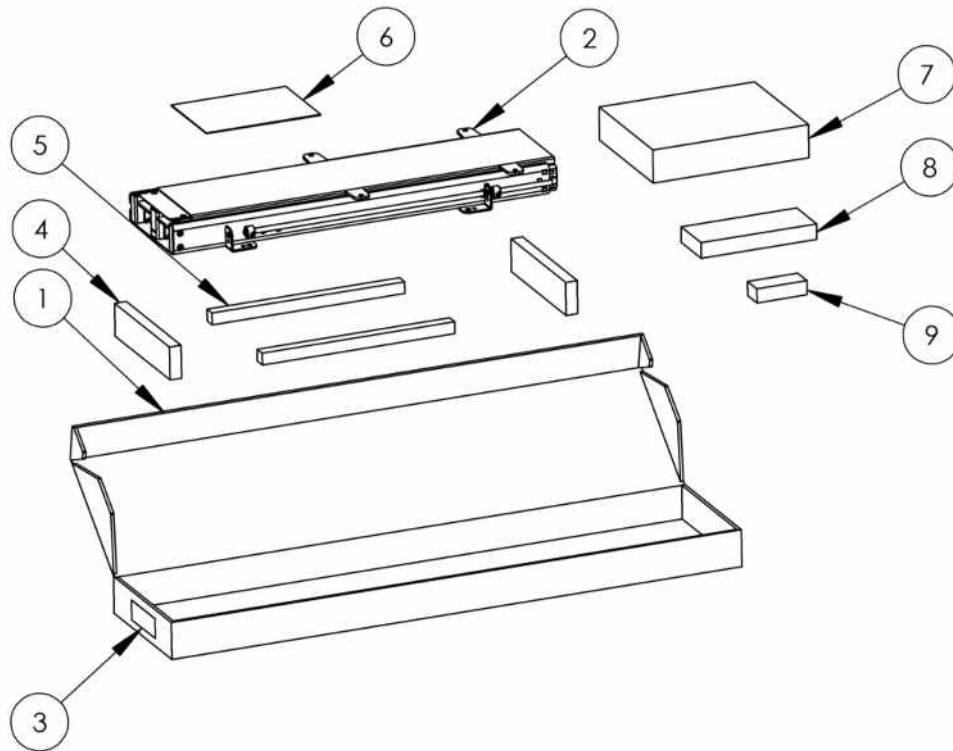


60 pcs.

410 kg

0,53 m³

Bill of material

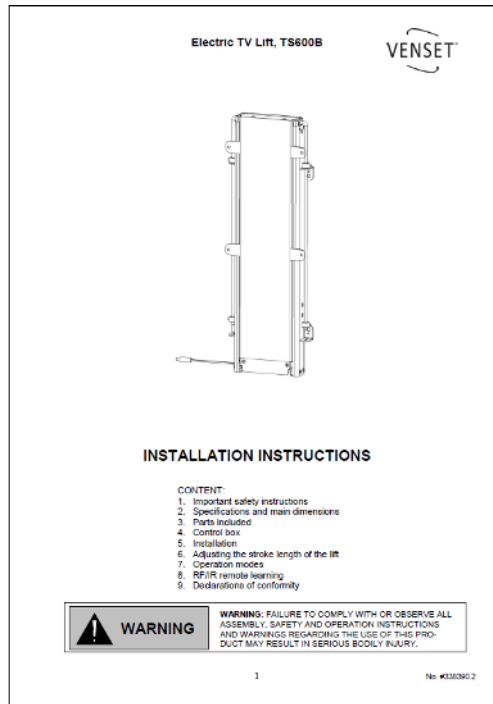


ITEM NO.	QTY.	PART NO.	DESCRIPTION
1	1	338360	Cardboard box, 4mm K-material
2	1	131210	TS600B assembly
3	1	316960	ID label
4	2	338370	epe foam block
5	2	338380	epe foam block
6	1	338390	Mounting instruction
7	1	133050	70W Power supply packed
8	1	137270	TS600B Control set
9	1	137290	Mounting bag

Assembly and use

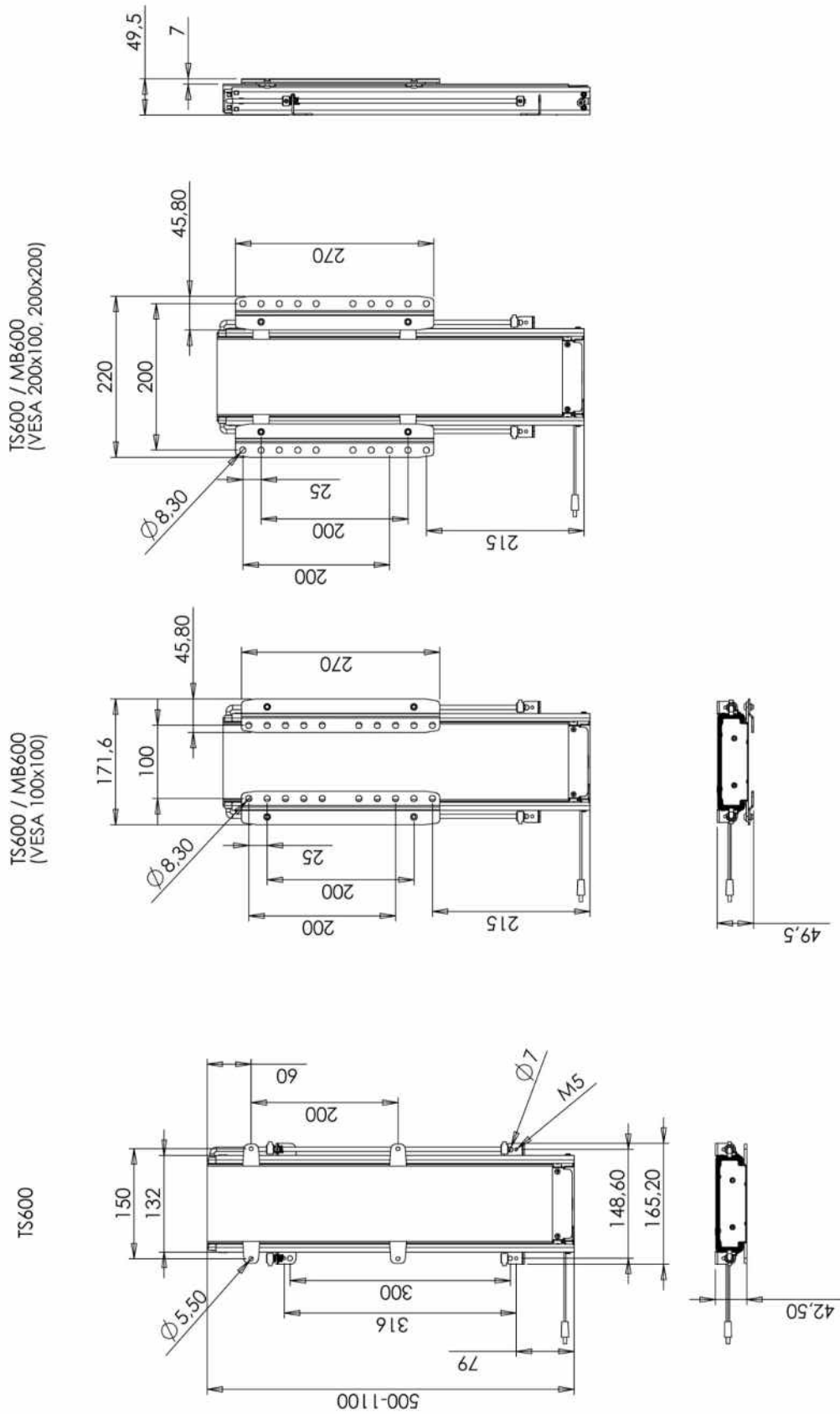
The electrical components should be connected after mounting the lift. All wires have DC jacks or multi plugs and since using different types only the correct connection can be made.

All products come with an instruction manual.



The mechanism can now be operated up and down using the supplied rocker switch. Push "UP" and the lift will expand. Pushing "DOWN" and the lift will contract.

Dimensions [mm]



Specifications

Mechanism

Stroke	600mm
Max. working loads:	12 kg 15 kg peak load
Duty cycle:	10% by 50% of working load or max 2 min. continuously
Speed	40 mm/sec (unloaded)
VESA	200x200 / 200x100 / 100x100

Component

Metal sheet parts:	St 37-2
Gear parts:	St 70-2
Gear motor:	VENSET brand motor no. 130960
Power supply:	70W switch mode AC Power Transformer, 110-220VAC input
Plastic components:	PE-HD, POM, ABS
Surface treatment	Visible metal parts powder coated in black colour, RAL 9004 Non visible metal parts are surface treated (e.g. black plated)
Operating system:	Rocker switch (RF remote system is optional)

Safety & test

Declaration of conformity

We hereby declare, under our sole responsibility that the following products:

- VENSET electric lift mechanism product type TS600B

which are covered by this statement, are in conformity with the following standards and other normative documents::

- Counsel Directive 89/336/EØF with later changes
- Counsel Directive 73/23/EØF with later changes