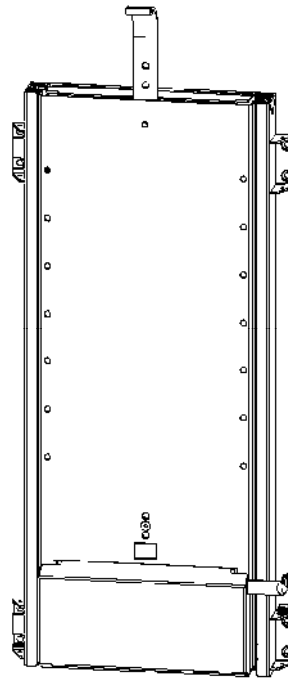


TS1000B



TS700B

## INSTALLATION INSTRUCTIONS

### CONTENT:

1. Important safety instructions.
2. Specifications and main dimensions.
3. Parts included.
4. Installation.
5. Adjusting the stroke length of the lift.
6. Declarations of conformity.



### WARNING

**WARNING:** FAILURE TO COMPLY WITH OR OBSERVE ALL ASSEMBLY, SAFETY AND OPERATION INSTRUCTIONS AND WARNINGS REGARDING THE USE OF THIS PRODUCT MAY RESULT IN SERIOUS BODILY INJURY.



## 1. Important safety Instructions.

**CAUTION: Before you begin any of the Installation procedures (4. Installation.), read and follow the warnings and safety instructions on this page.**

**WARNING ! THIS IS NOT A TOY !**

**WARNING ! CHILDREN SHOULD NOT OPERATE LIFT !**

Use the following safety guidelines to help protect your lift from potential damage and to ensure your own personal safety.

- Read all the installation instructions before testing or installing your lift.
- Read and follow all safety instructions.
- Keep manual rocker switch out of reach of children.
- To prevent bodily injury keep hands and clothing away from the lift while the lift is in operation.
- Before installing the lift or working with its connections, unplug the lift from the electricity main supply.
- Do not install the lift or power supply in places subject to high temperatures for example near a radiator, or heating vent.
- The TV lift must only be mounted in a dry area and it must be ensured before use that the lift is safe or protected from liquid contact or spillage.
- To avoid damaging the power supply and power cord, do not put anything on it or place it where it could become damaged.
- Unplug the lift in the following conditions:
  - When the power cord or plug is damaged or frayed.
  - If the lift or power supply has been exposed to rain or water or any liquid contamination whatever.
  - If the lift exhibits a distinct change in performance, indicating a need for attention.
- MANUFACTURERS who build this lift into other products or use it with other products, MUST make sure to prevent bodily injury. The MANUFACTURER of the final product is responsible to give the end user proper warnings and instructions for use.

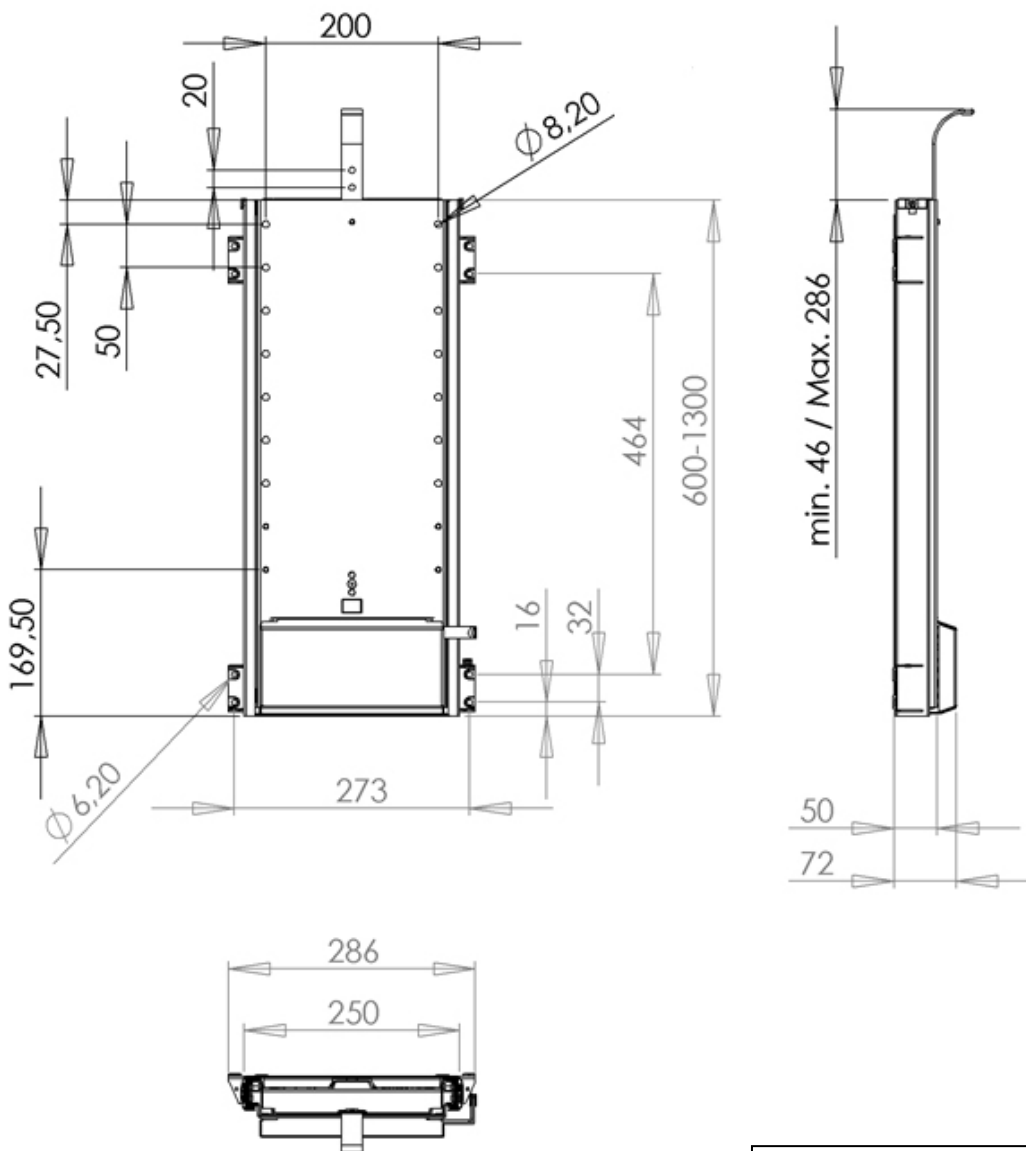
# Electric TV Lift, TS700B & TS1000B



## 2. Specifications and main dimensions.

<b>Materials and weights:</b>	Steel, black powder coated - Weight ~ 15/21 kg
<b>Max. working loads:</b>	45 kg (by standard installation) 29 kg (when lift is mounted upside down) 50 kg peak load
<b>Duty cycle:</b>	10% by 50% of working load or max 2 min. continuously
<b>Operation:</b>	Rocker switch
<b>Voltage:</b>	100-240 VAC / 50/60Hz
<b>Standby Consumption:</b>	< 1 Watt

### Main dimensions, TS700B [mm]:

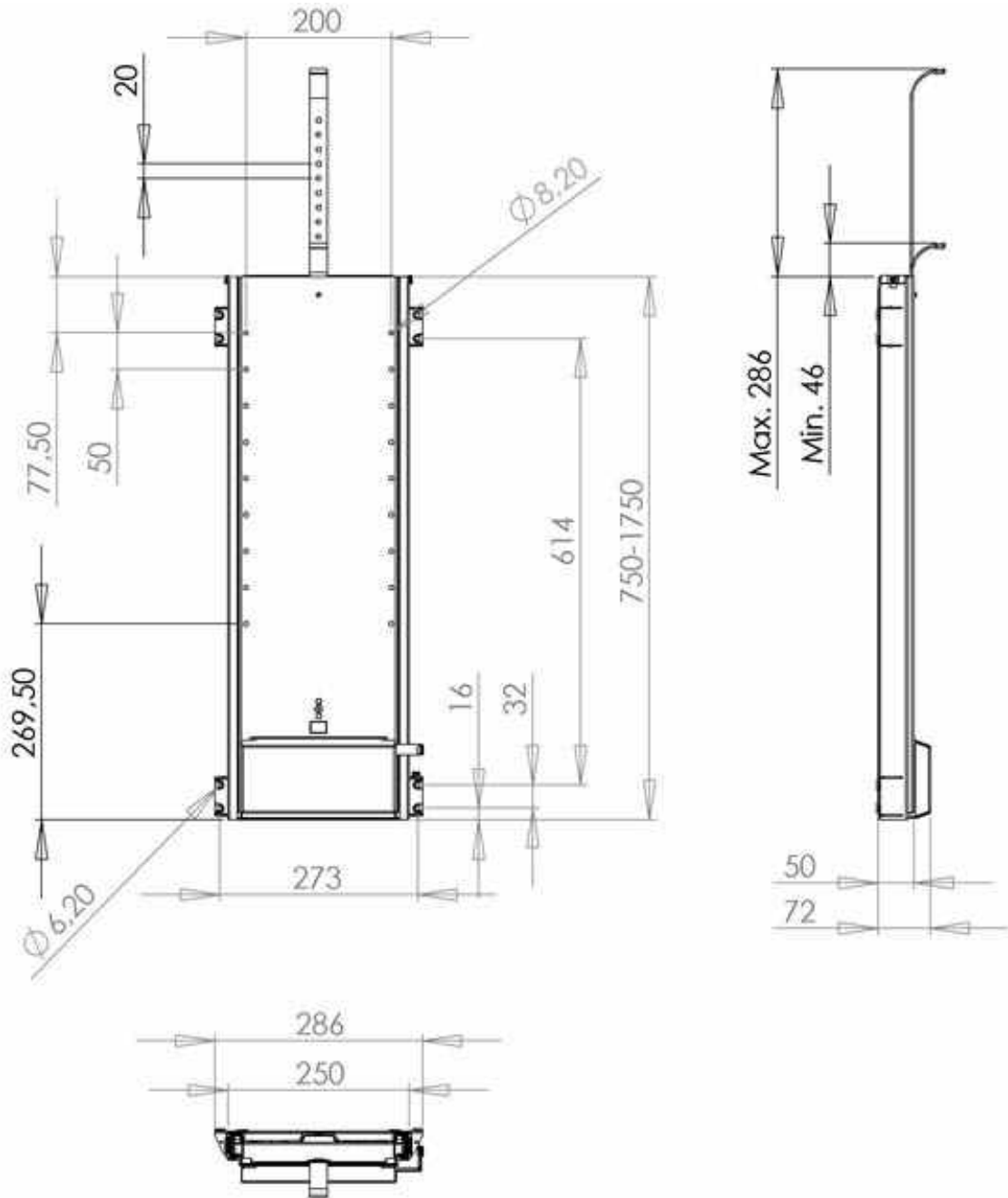


**VESA, TS700B:**  
200x200, 200x100

# Electric TV Lift, TS700B & TS1000B



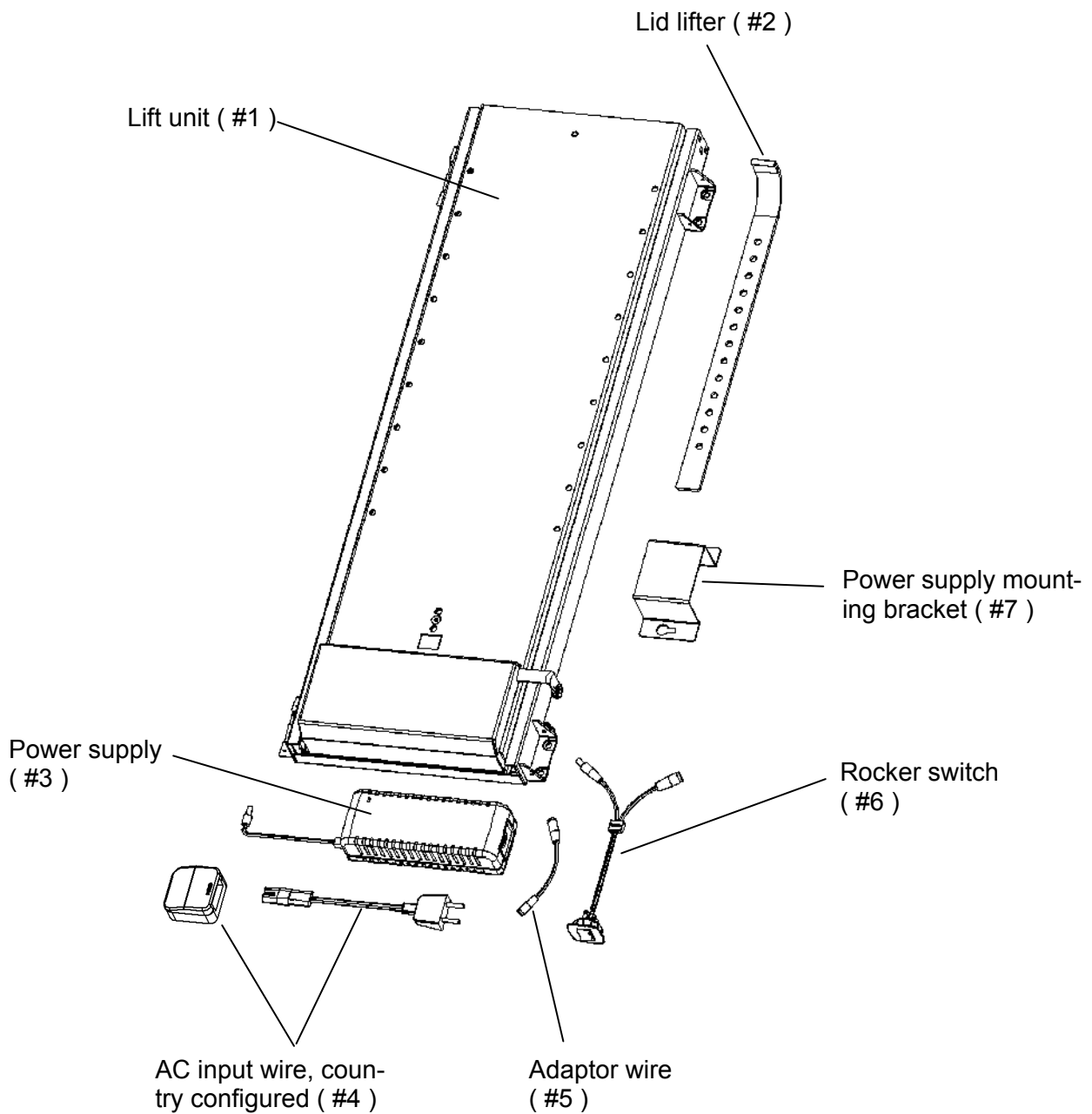
Main dimensions, TS1000B [mm]:



**VESA, TS1000B:**  
200x200, 200x100

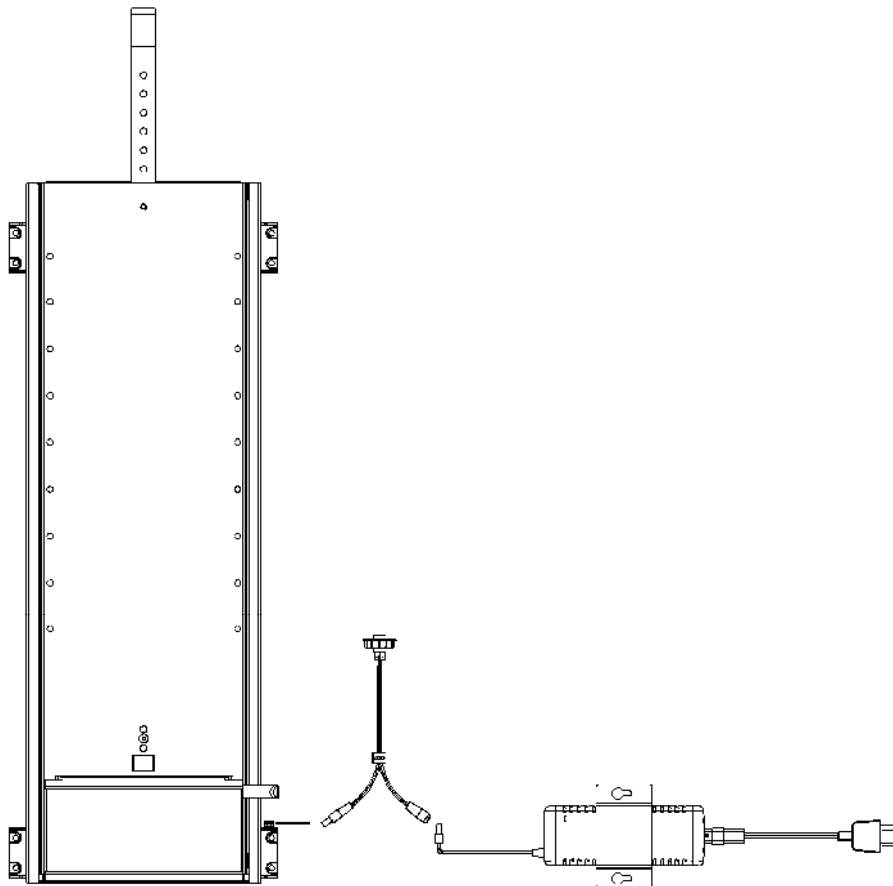
**3. Parts included.**

- Lift unit ( #1 )
- Lid lifter ( #2 )
- Power supply ( #3 )
- AC input wire, country configured ( #4 )
- Adaptor wire ( #5 )
- Rocker switch ( #6 )
- Power supply bracket ( #7 )



## 4. Installation.

- 1) Remove all contents from packaging and compare with parts list.
- 2) Place the lift unit (#1) on e.g. the back panel of the cabinet\* in a location that will allow full up and down movement of the lift.
- 3) Fasten the unit securely to the cabinet. Screws must be appropriate for the material being used.
- 4) Connect the plug from lift unit (#1) to the adaptor wire (#5), rocker switch (#6) and the power supply (#3) like shown below.



- 5) Mount rocker switch (#6) in an easy location by cutting a  $\varnothing 30$  hole and pressing the switch into place. Secure excess wire to keep away from moving parts.
- 6) Plug the power cord into main electrics and operate manual rocker switch. See troubleshooting guide on [www.venset.com](http://www.venset.com), click "support".

**Helpful hint:** Mount TV lift and electronics to plywood panel and attach to inside back of cabinet using appropriate number of screws. This allows all components to be removed from the cabinet if necessary. If this is not possible, create an access panel to the electronics.

\*\* Aim to create easy access for wear and tear replacement stroke service.

**5. Adjusting the stroke length of the lift.**

**Adjusting the bottom stop:**

The bottom stop can be adjusted to any preferred height, e.g. if you don't want the lift to go all the way down into the cabinet. You can adjust just one or both end stops.

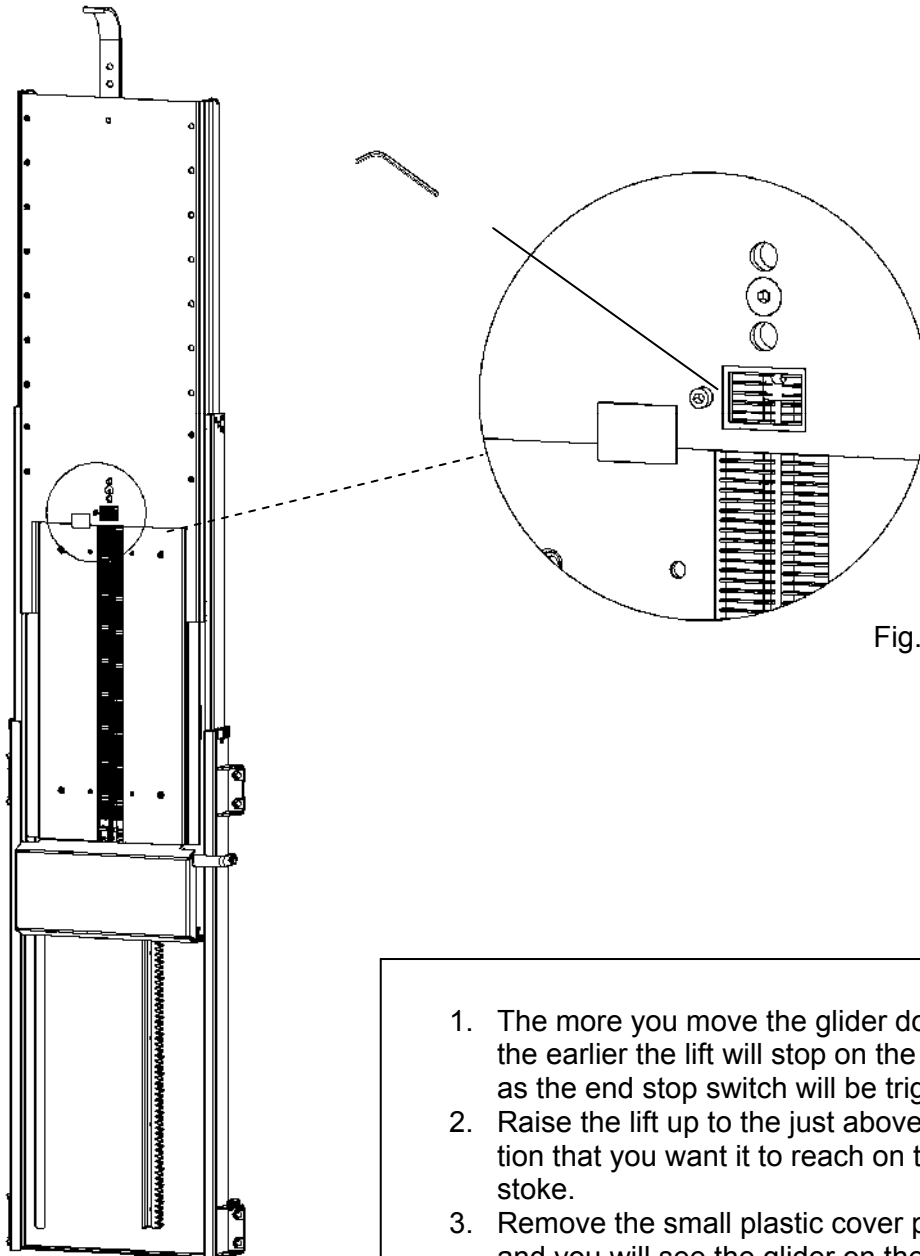


Fig. 1

1. The more you move the glider down the cable the earlier the lift will stop on the down stroke as the end stop switch will be triggered sooner.
2. Raise the lift up to the just above lowest position that you want it to reach on the down stroke.
3. Remove the small plastic cover plate (see fig.1) and you will see the glider on the cable.
4. Use a 2.5mm Allen key to loosen the screw inside the glider. (see fig.1)
5. Move the glider down the cable accordingly and tighten the screw securely.
6. Replace the plastic cover plate, the glider will no longer be in this window.
7. Test the lift fully up and down and check the desired bottom stop position is as you require.

## Adjusting the top stop:

The top stop can be adjusted to any preferred height, e.g. if you don't want the lift to go all the way up out of the cabinet. You can adjust just one or both end stops.

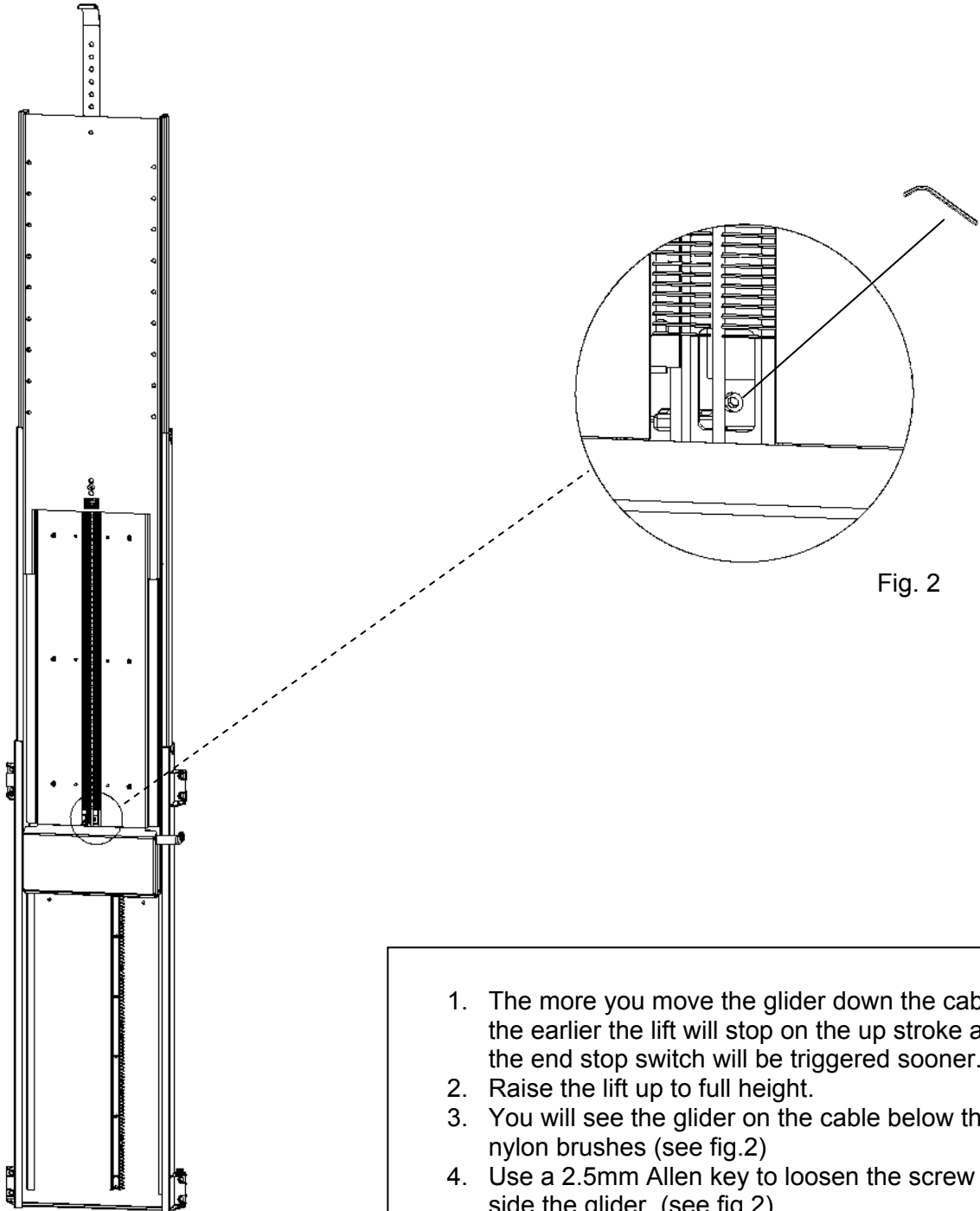


Fig. 2

1. The more you move the glider down the cable the earlier the lift will stop on the up stroke as the end stop switch will be triggered sooner.
2. Raise the lift up to full height.
3. You will see the glider on the cable below the nylon brushes (see fig.2)
4. Use a 2.5mm Allen key to loosen the screw inside the glider. (see fig.2)
5. Move the glider down the cable accordingly and tighten the screw securely.
6. Test the lift fully up and down and check the desired top stop position is as you require.



**6. Declarations of conformity.**

**Overensstemmelseserklæring**

Declaration of conformity

Fabrikant (navn og adresse): VENSET A/S, Nygade 63, DK-6900 Skjern, Denmark  
Manufacturer (name and address):

Erklærer hermed, at følgende produkt:  
Hereby certify that the following product:

Benævnelse, mærke, type: Elektrisk TV-lift, TS700 & TS1000 series  
Description, ID/mark, type: Electric TV-lift, TS700 & TS1000 series

Evt. serienr.: Alle efter serie nr. V-00067  
Serial No. if any: All after serial No. V-00067

Er fremstillet i overensstemmelse med Europa-Parlamentets og Rådets Direktiv af 15. december 2004 om indbyrdes tilnærmelse af medlemsstaternes lovgivning om elektromagnetiske kompatibilitet (2004/108/EF) ifølge standarderne DS/EN 55014-1:2007, DS/EN 55014-2:1997, DS/EN 61000-3-2:2006, EN 61000-3-3:2008  
Complies with the EMC directive 2004/108/EC according to the standards DS/EN 55014-1:2007, DS/EN 55014-2:1997, DS/EN 61000-3-2:2006, EN 61000-3-3:2008

og er fremstillet i overensstemmelse med Europa-Parlamentets og Rådets Direktiv af 12. december 2006 om indbyrdes tilnærmelse af medlemsstaternes lovgivning om elektrisk materiel bestemt til anvendelse inden for visse spændingsgrænser (2006/95/EF) ifølge standarden DS/EN 60335-1:2006  
and complies with the DIRECTIVE 2006/95/EC OF THE EUROPEAN PARLIAMENT AND OF THE COUNCIL of 12 December 2006 on the harmonization of the laws of Member States relating to electrical equipment designed for use within certain voltage limits (codified version) according to the standard DS/EN 60335-1:2006

Navn, titel og underskrift af fabrikanten:  
Name, title and signature of manufacturer:

28/8-2008  
Dato/date

  
M. Overgaard  
Approval Engineer  
Underskrift/signature

  
VENSET A/S  
Nygade 63 · DK-6900 Skjern  
Tel: +45 9735 4611 · Fax: +45 9735 4631

**EF – komponenterklæring type "bilag II B"**

EEC Declaration of a component "appendix II B"

Fabrikant (navn og adresse):

Manufacturer (name and address):

VENSET A/S, Nygade 63, 6900 Skjern, Denmark

Erklærer hermed, at følgende produkt:

Hereby certify that the following product:

Benævnelse, mærke, type:

Description, ID/mark, type:

Elektrisk TV-lift, TS700 & TS1000 series

Electric TV-lift, TS700 & TS1000 series

Evt. serienr.:

Serial No. if any:

Alle efter serie nr. V-00067

All after serial No. V-00067

Evt. bemyndigede organ og nr.

Notified body if any:

Teknologisk Institut, Århus, Denmark

Evt. EF- typeattest:

EEC-type certificate if any:

Evt. Harmoniserede standarder:

Harmonised standards if any:

Er fremstillet i overensstemmelse med bekendtgørelse nr. 561 af 24. juni 1994, der

gennemfører EUROPA-PARLAMENTETS OG RÅDETS DIREKTIV 98/37/EF

Made according to announcement No. 561 of June 24, 1994 that implements the DIRECTIV 98/37/EF

Ovennævnte produkt må **IKKE** tages i brug, før den maskine, hvori det er indbygget eller hvortil det skal anvendes er erklæret i overensstemmelse med alle relevante bestemmelser.

Above product may **not** be taken into use, before the machine into which it has been built in or to which purpose it must be used for, conform to any relevant regulations.

Navn, titel og underskrift af fabrikanten:

Name, title and signature of manufacturer:

28/8-2009

Dato/date

  
M. Overgaard  
Approval Engineer

Underskrift/signature

  
VENSET A/S  
Nygade 63 · DK-6900 Skjern  
Tel: +45 9735 4611 · Fax: +45 9735 4631

The information in this document is subject to change without notice.

# Mounting instruction, VESA 300x300 / 400x300 / 400x400

