



TecLines TST001W
Gas spring height-adjustable
overbed table cart

Large Sturdy Work Surface for Bed or Couch

With heavy-duty steel frame and gas springs to provide smooth and effortless height adjustment for any room environment. With locking casters you can move the table anywhere you like. Perfect to use at home, office and hospital.

Gas
Spring

Height
Adjustment

Heavy
Duty
Construction

Locking
Casters

Cup
Holder



Recessed Cup Holder

Prevents liquids from falling or slipping during movement.



Easy Squeeze Lever

Effortlessly to adjust the height of the tabletop.



Locking Casters

For controlled mobility and stability.



Eco-Friendly Particle Board

Features heavy-duty and moisture resistance (TSCA Title VI compliant).

Adjustable Height From 71,2 to 106,2 cm

Offer maximum comfort and adaptability to multiple requirements.

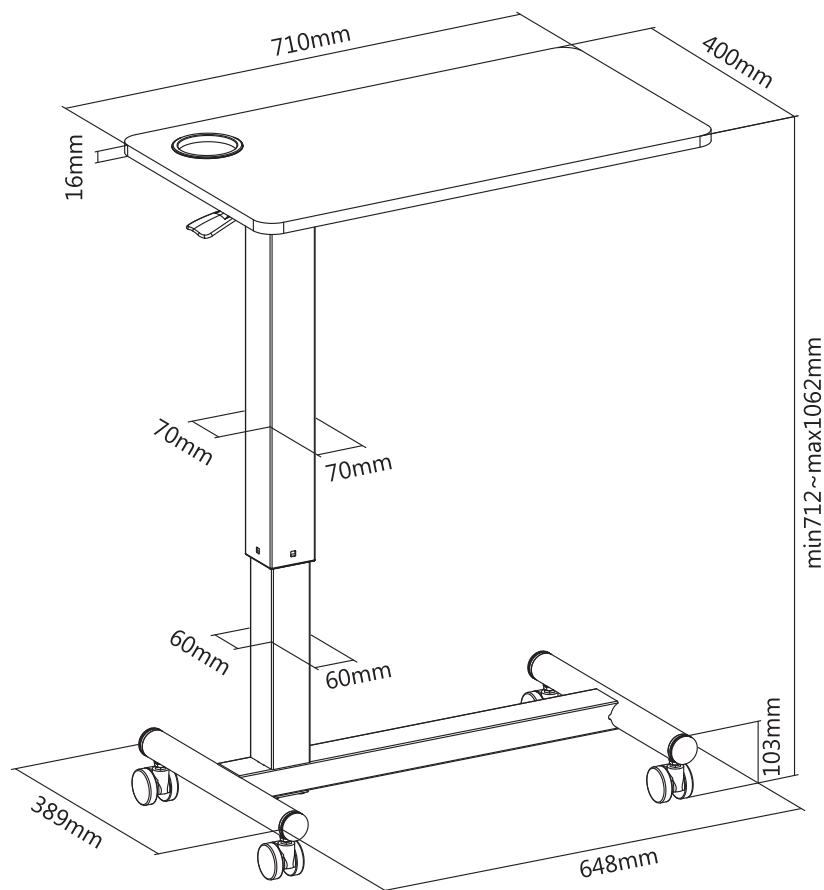
Sturdy Steel Construction

Better strength and durability.

Specification:

Material	Particle board & melamine, steel, plastic
Worksurface Size	710 x 400 mm
Tabletop Thickness	16 mm
Tabletop Weight Capacity	7 kg
Height Range	712–1062 mm
Column Design	Reversed column
Column Segments	Two stage column
Casters	Yes
Product Dimension	710 x 400 x 712–1062 mm
Color	White

Technical Drawing:



Package Contents:

- » 1 x Gas Spring Overbed Table Cart
- » 1 x Screw Package
- » 1 x User Manual

Package Information:

- » Packing Dimension: 780 x 465 x 222 mm
- » Packing Weight: 13,51 kg
- » Carton Dimension: 780 x 465 x 222 mm
- » Carton Q'ty: 1 pcs
- » Carton Weight: 13,51 kg