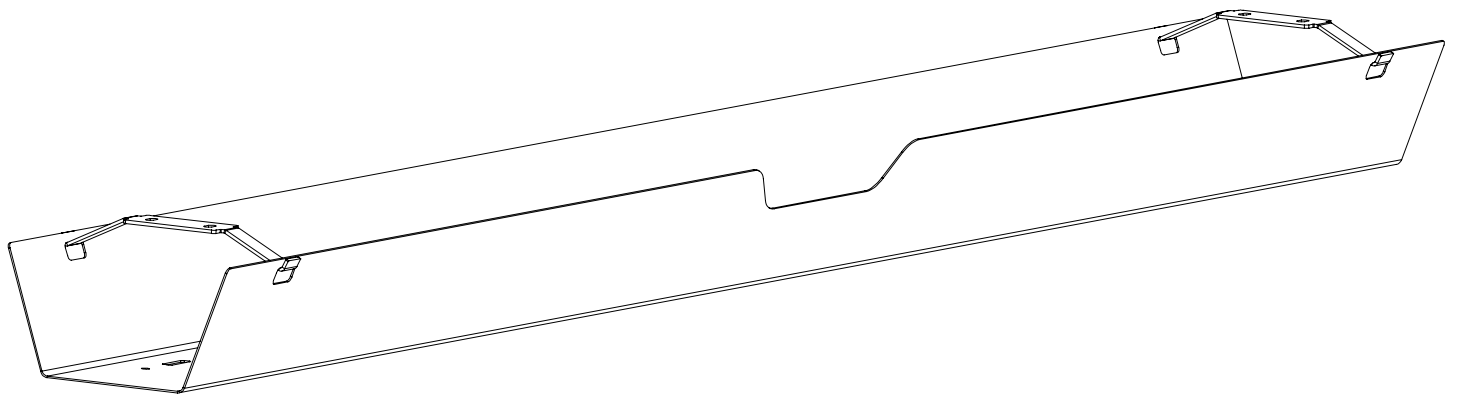
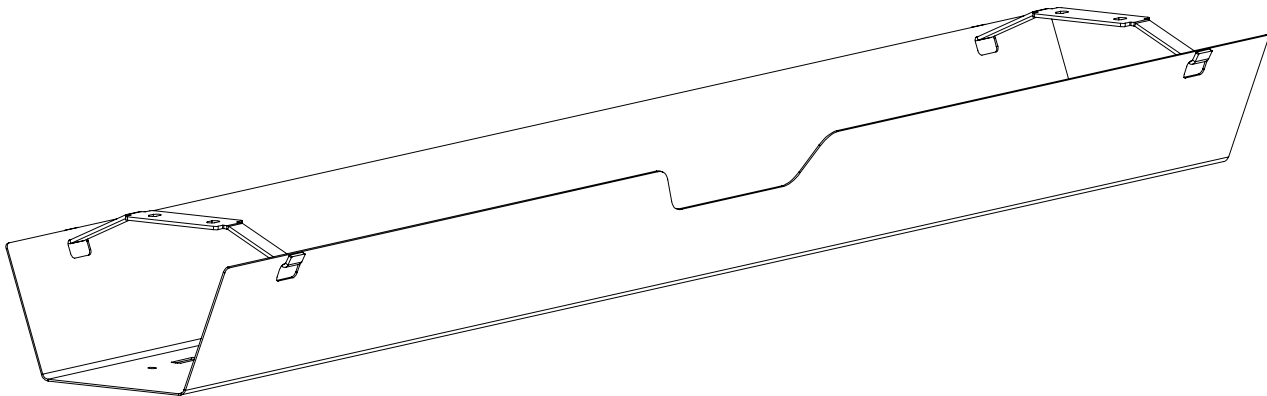
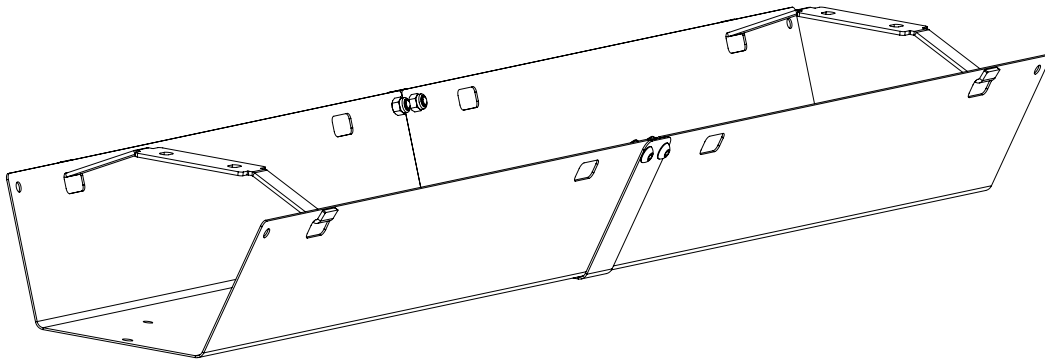
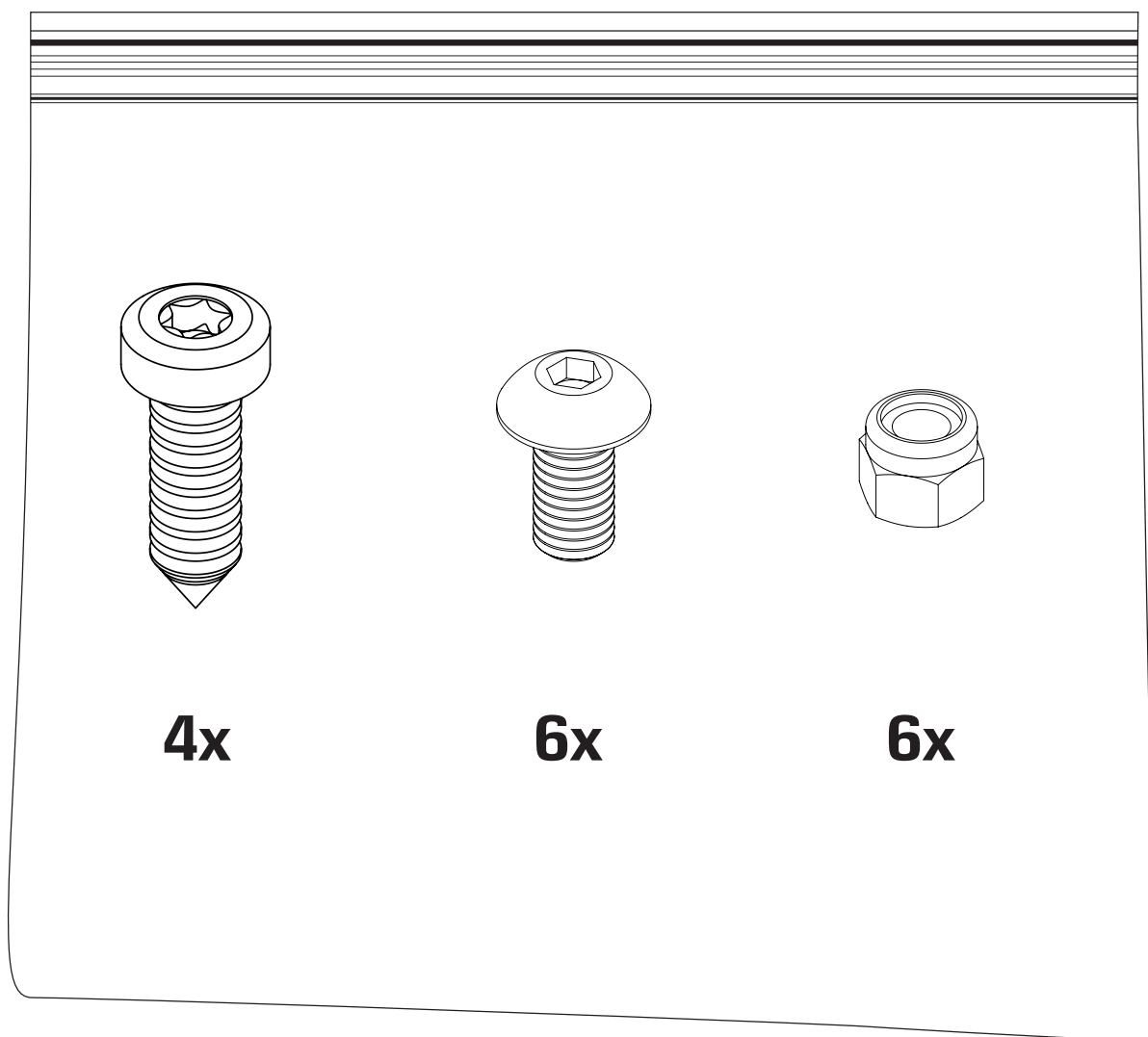


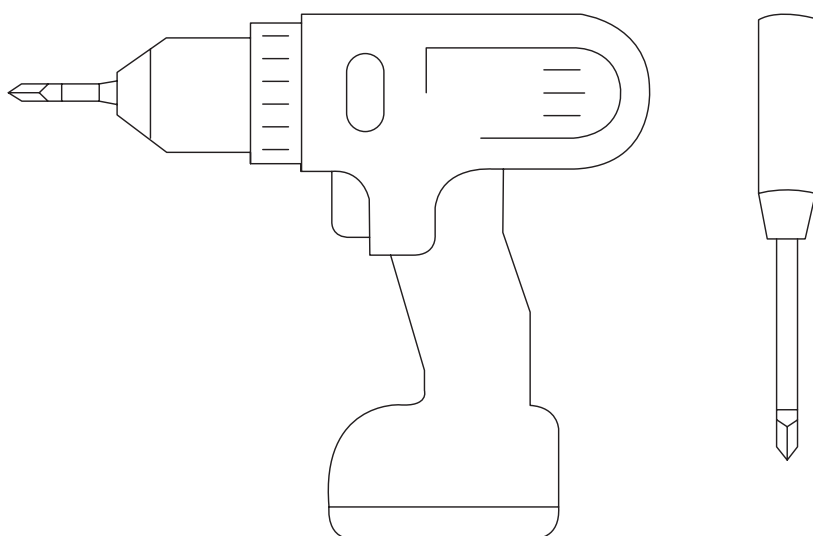
# TecLines cable channel desk, foldable TKK009 - TTK010

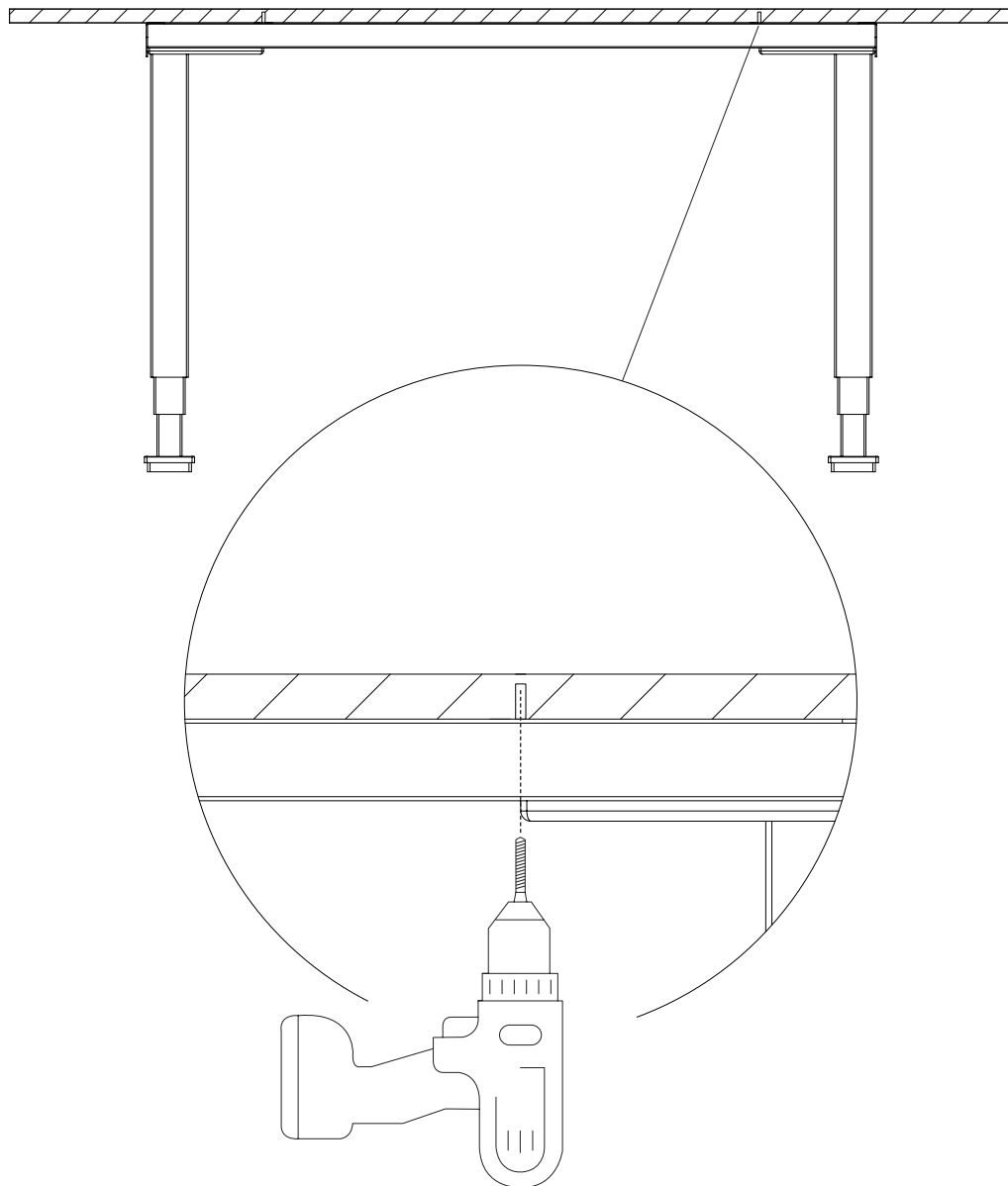


# CONTENT



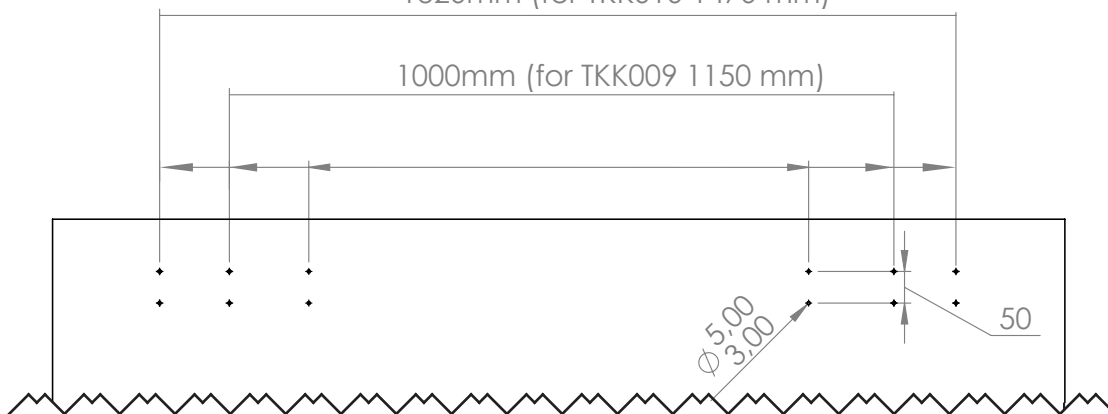
# USE





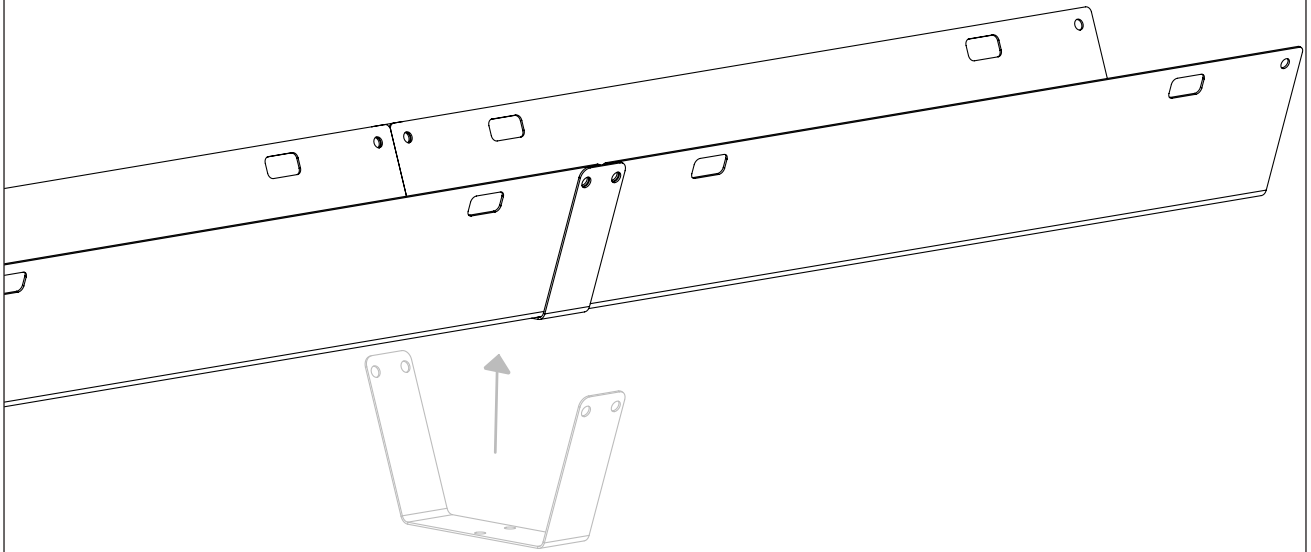
1320mm (for TKK010 1470 mm)

1000mm (for TKK009 1150 mm)



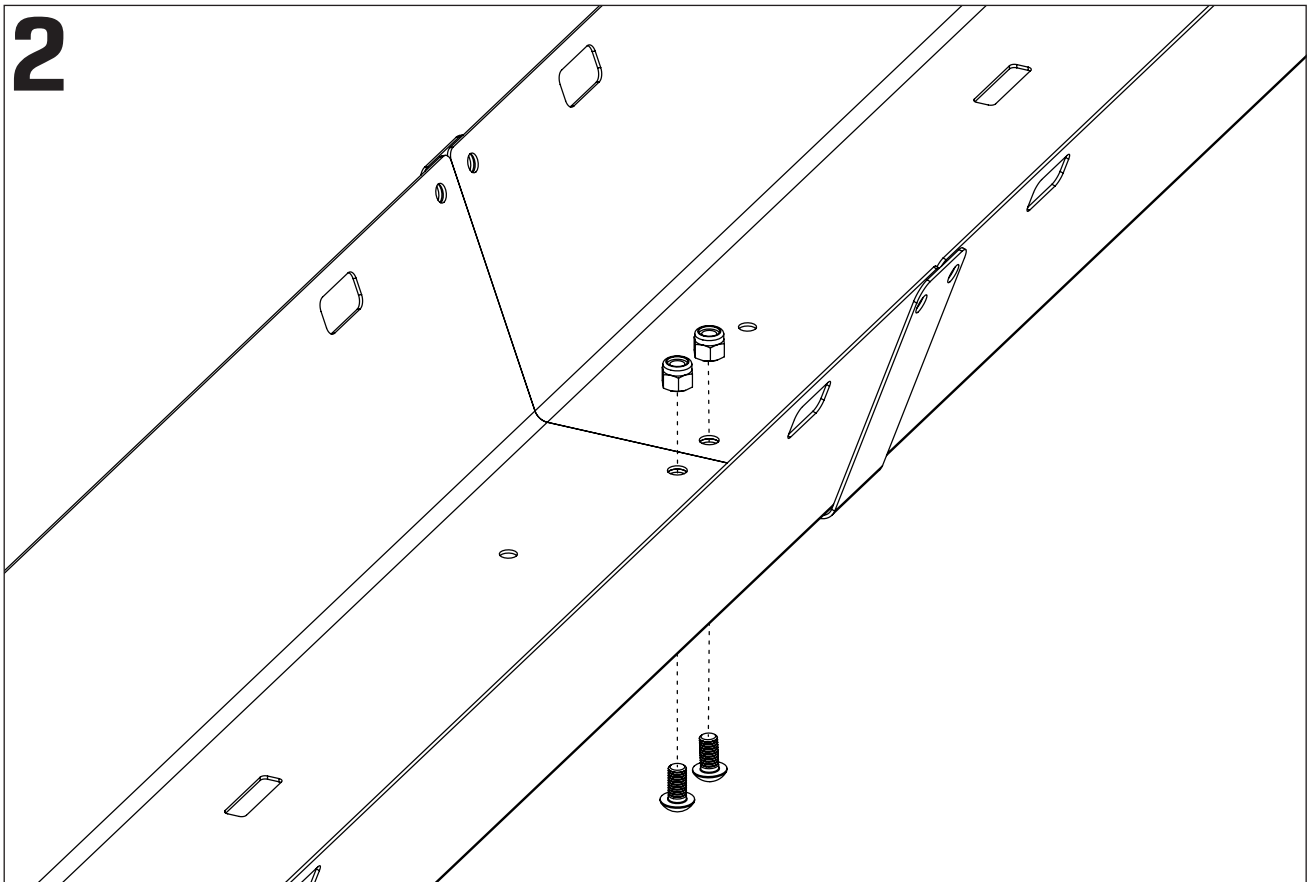
**FOR PRE-DRILLING**

# 1

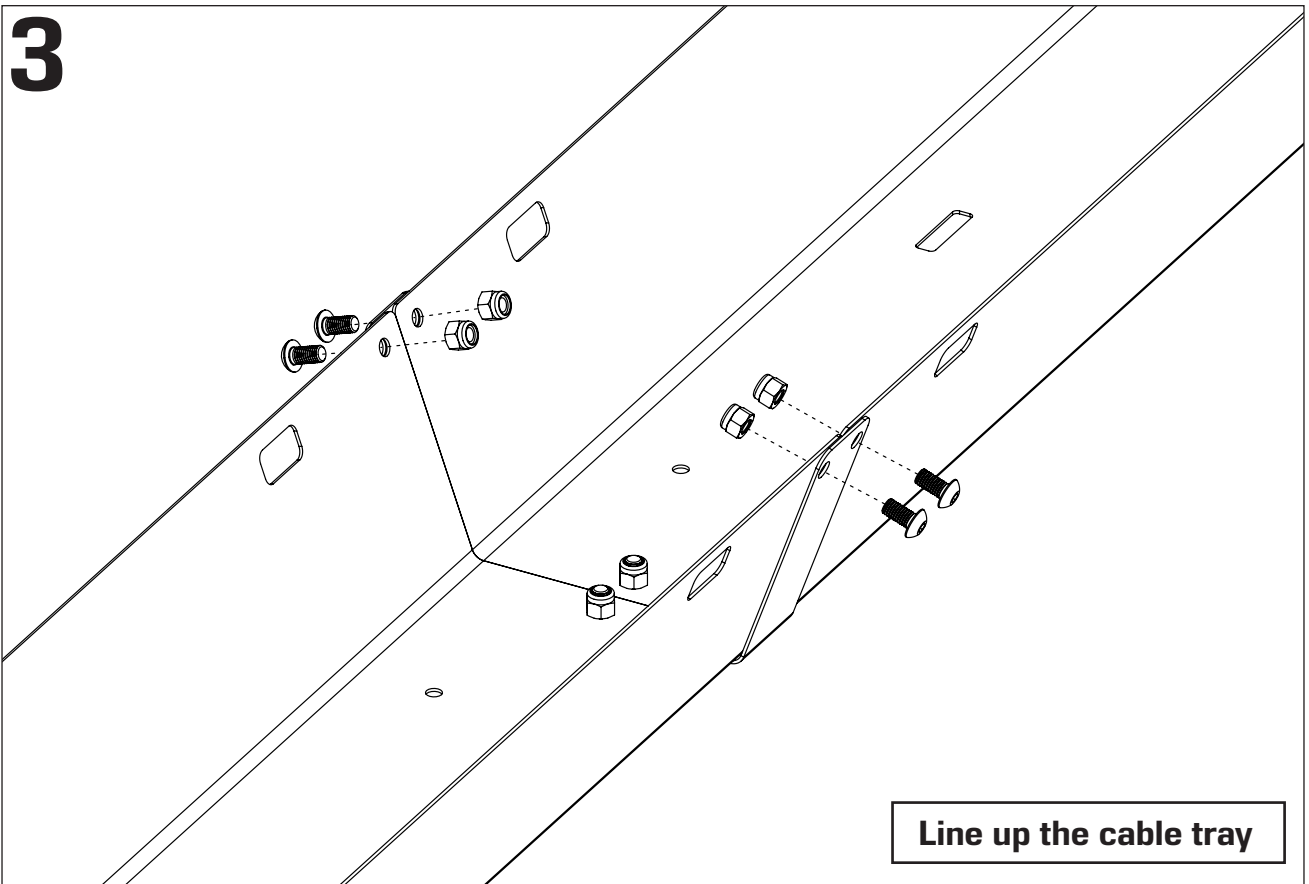


**Go to step 4 if your cabletray  
is 1150 mm or 1470 mm**

# 2

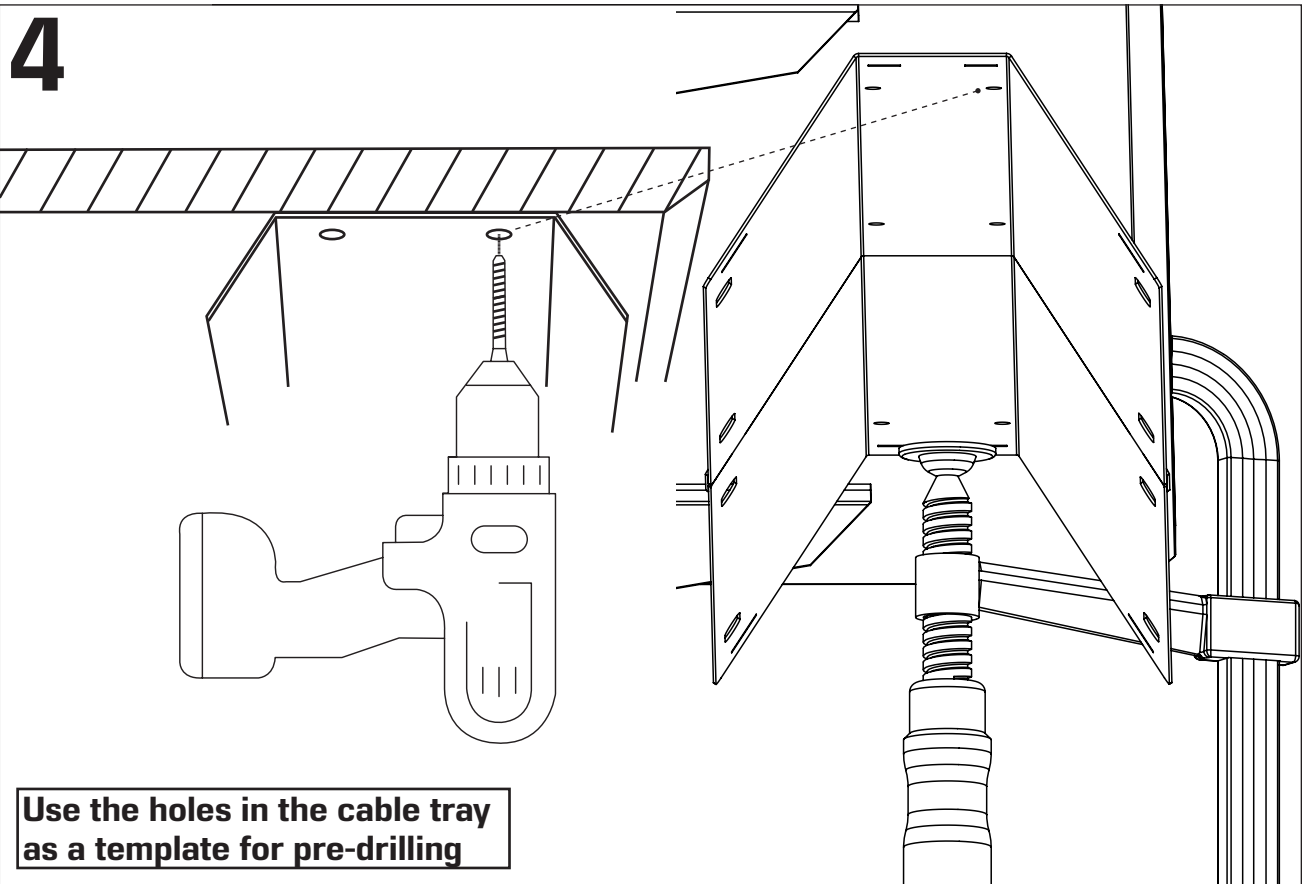


**3**



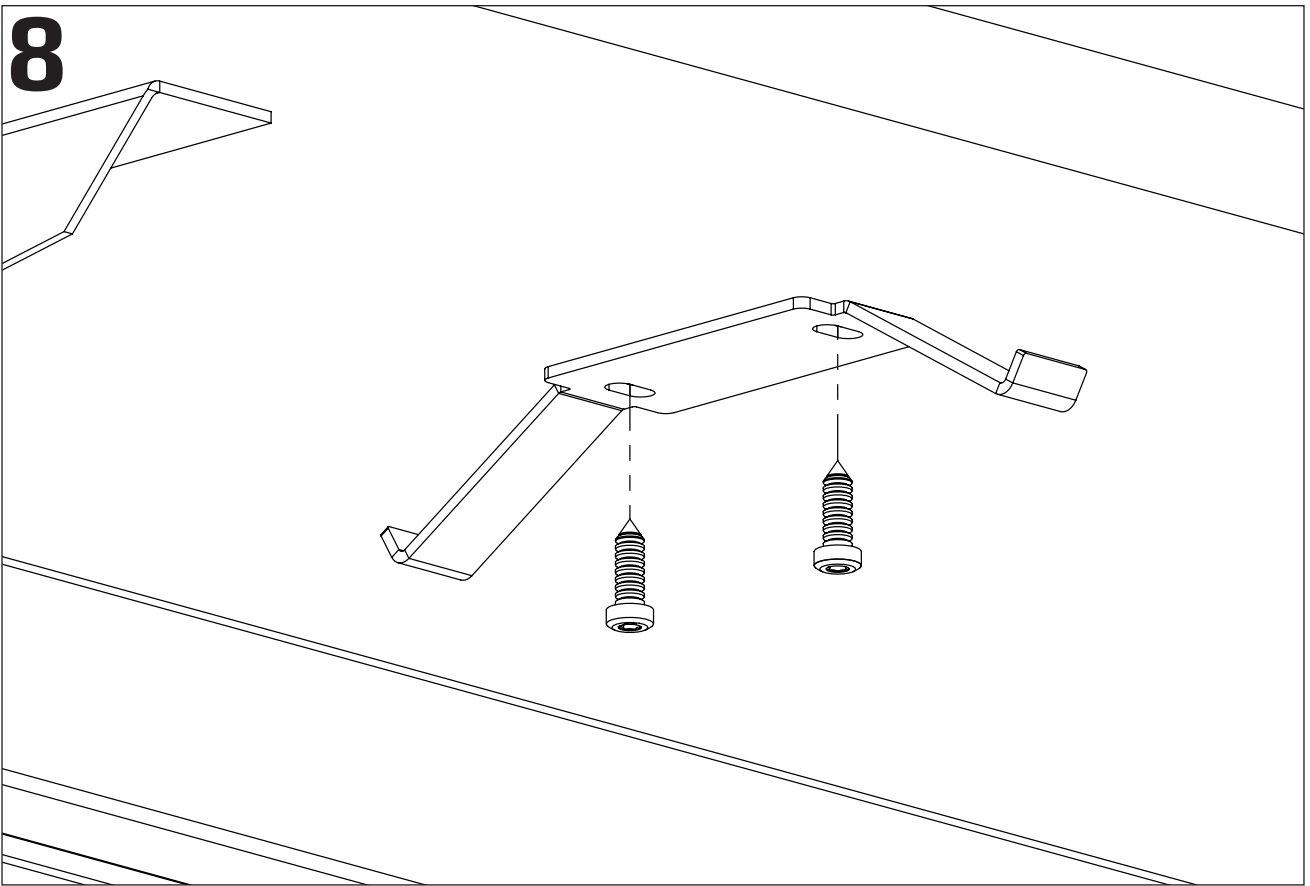
**Line up the cable tray**

**4**

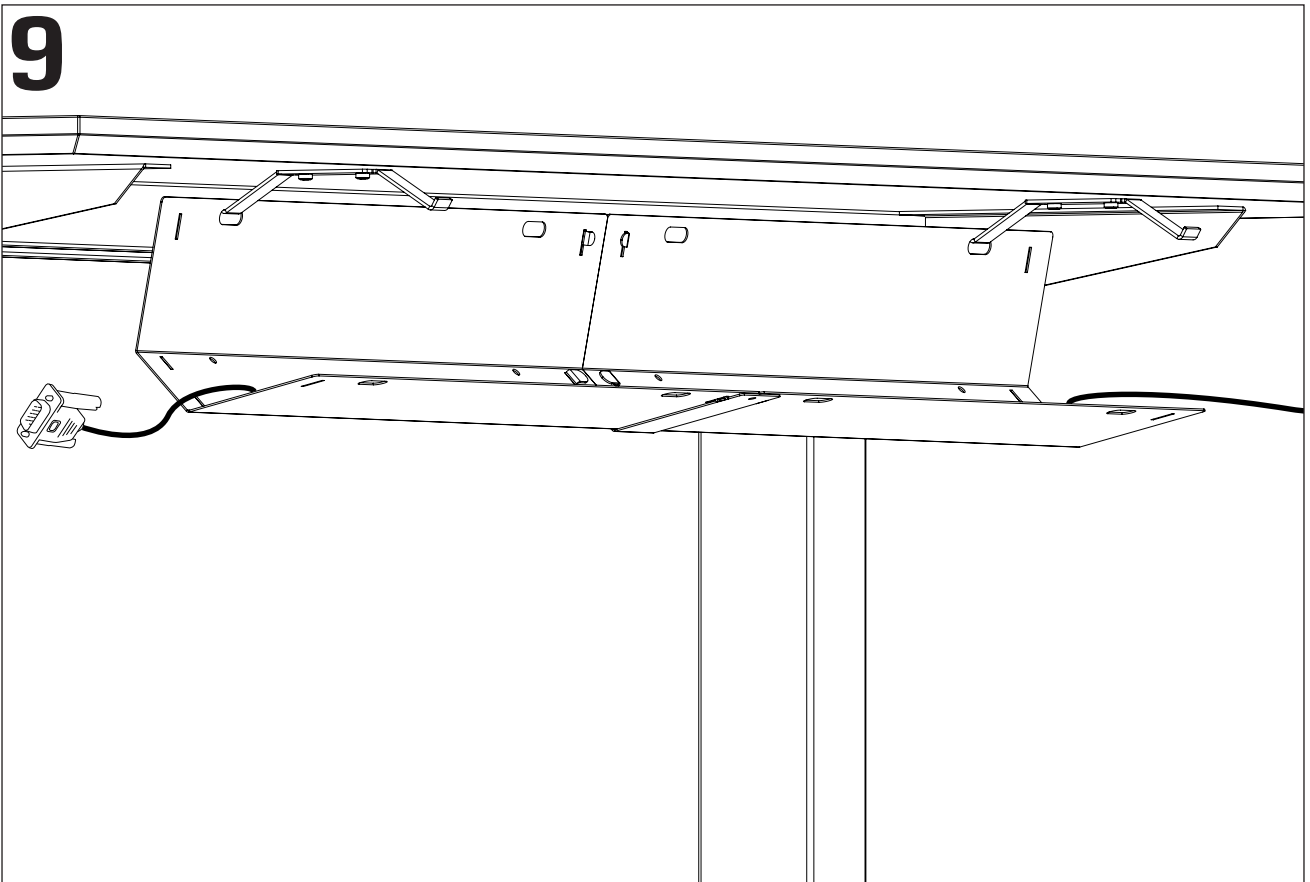


**Use the holes in the cable tray as a template for pre-drilling**

8



9



8

