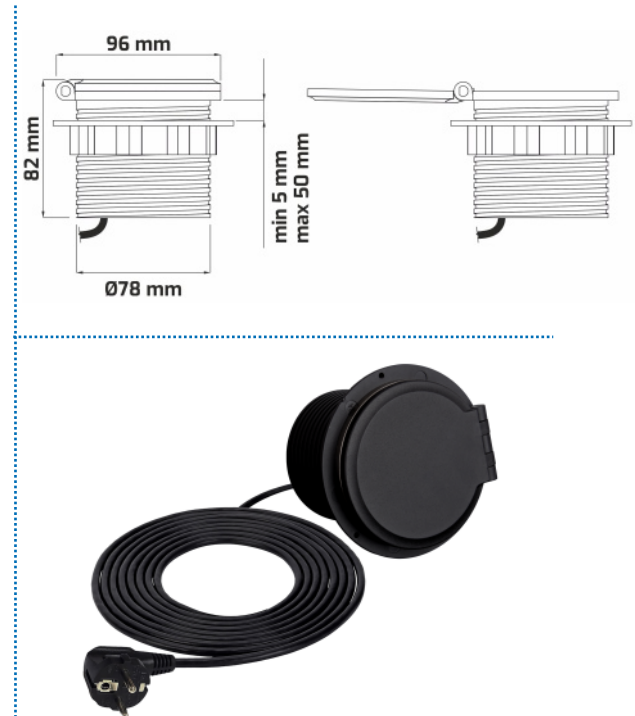


## TecLines TES005B built-in socket with 1x USB-A, 1x USB-C, 1x empty, Qi, black



### Description

The TecLines built-in socket with Qi charger TES005B with a 1.8 metre power cable is the perfect built-in socket for the office, kitchen or furniture such as the bedside cabinet in the bedroom. The round connection panel is equipped with an earthed socket and one USB-A connection and one USB-C connection each. In addition, the empty field can be optionally upgraded with either an HDMI module, RJ45 module (KAT6) or an additional USB module type A.

A special feature of the practical multifunctional built-in socket is the integrated induction charger. This means that Qi-enabled smartphones can be effortlessly charged wirelessly by simply placing them on the integrated cover. In addition, the flat and simple multifunctional socket fits seamlessly into any environment. The plastic socket can be inserted into recesses with a diameter of 80mm.

### Key features

Connections:	1x power socket 1x USB-A connection 1x USB-C connection 1x empty field for optional module (HDMI, RJ45 or USB-A) Cover inclusive induction charger for Qi-enabled smartphones
Material:	Plastic
Finish:	Black
Built-in diameter:	80 mm
Height:	82 mm
Power cable:	1.8 m with right-angled plug