

SMS PROJECTOR WL SHORT THROW V+



All light on the projection screen, not into the speaker's eyes. A wall bracket with generous adjustment facilities to obtain the best possible image quality at all positions. The projector can be suspended at any location along the complete pillar for depth adjustment. Furthermore, the wall plate can be adjusted both horizontally and vertically. Fine adjustment is very easy with the aid of adjustment knobs on the universal slide, which is now available in white or black to match the projector. The choice of white or black plastic fittings is also new.

SMS PROJECTOR WL SHORT THROW V+

INFO

- Finish: Aluminium/black or white.
- Max. load: 12 kg.
- Lengths: 450, 680, 1200, 1450 and 1600 mm.
- Tilt: +/- 12° with fine adjustment for the depth and horizontal position.
- Adjustable: The wall plate can be adjusted +/- 25 mm vertically and +/- 22.5 mm horizontally, and the projector can be mounted at any position along the complete pillar.

ART. NO

AE013050-P1
AE013051-P1

DESCRIPTION

SMS Projector WL Short Throw V+ Universal A/W
SMS Projector WL Short Throw V+ Universal A/BL

Pillar length white:

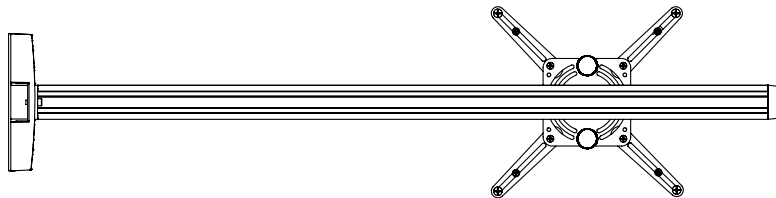
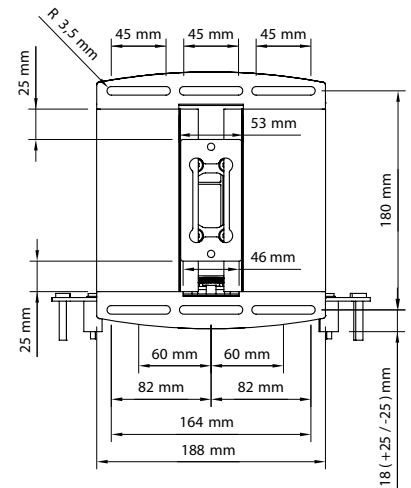
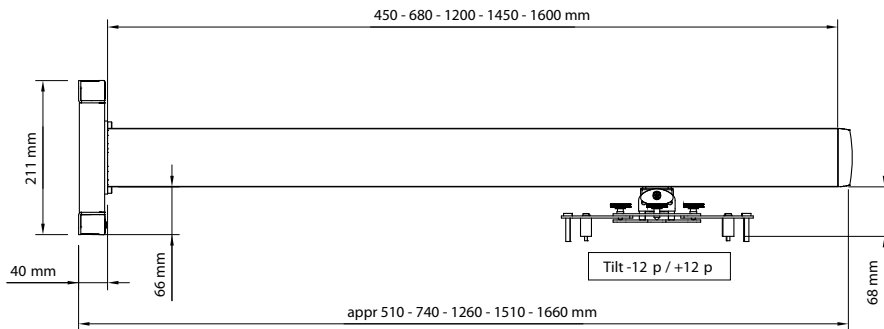
FS000450AW-P2	SMS Projector Short Throw 450 mm	Alu pillar Part 2 A/White
FS000680AW-P2	SMS Projector Short Throw 680 mm	Alu pillar Part 2 A/White
FS001202AW-P2	SMS Projector Short Throw 1200 mm	Alu pillar Part 2 A/White
FS001450AW-P2	SMS Projector Short Throw 1450 mm	Alu pillar Part 2 A/White
FS001600AW-P2	SMS Projector Short Throw 1600 mm	Alu pillar Part 2 A/White

Pillar length black:

FS000450-P2	SMS Projector Short Throw 450 mm	Alu pillar Part 2 A/Black
FS000680-P2	SMS Projector Short Throw 680 mm	Alu pillar Part 2 A/Black
FS001202-P2	SMS Projector Short Throw 1200 mm	Alu pillar Part 2 A/Black
FS001450-P2	SMS Projector Short Throw 1450 mm	Alu pillar Part 2 A/Black
FS001600-P2	SMS Projector Short Throw 1600 mm	Alu pillar Part 2 A/Black



Now with white plastic fittings and a universal slide for projectors in white and black.



www.SmartMediaSolutions.se