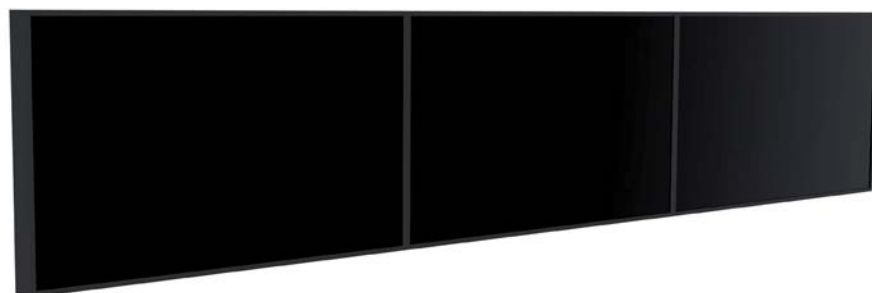
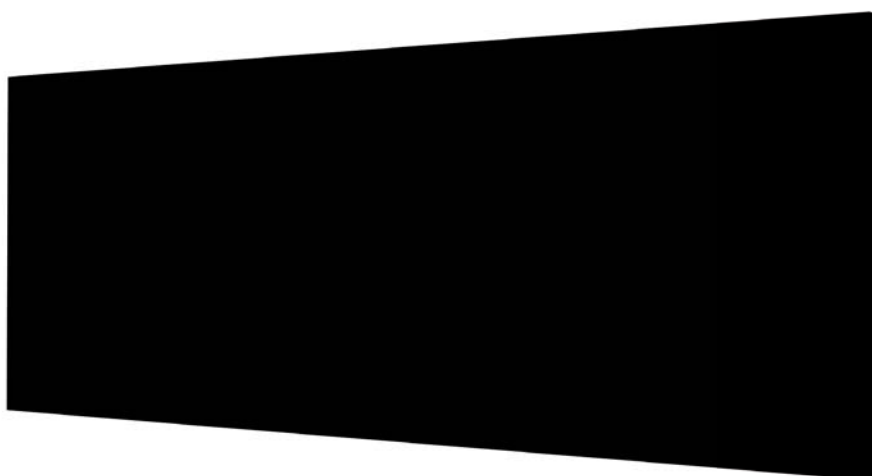


# SMS MULTI DISPLAY WALL



Place large screens really close to the wall – without extraordinary costs.

A cost-effective and simple way of building a video wall or mounting several screens in a row. The solution can be used with screens from approximately 37”, right up to 65”. Simply choose as many modules as you need. Each module is supplied as a complete package with all necessary components, and can be set up in three easy steps.

The solution makes it easy to place the screens exactly in line and allows edge-to-edge mounting. The final result lies closer to the wall than most other products on the market.

## QUESTIONS AND ANSWERS

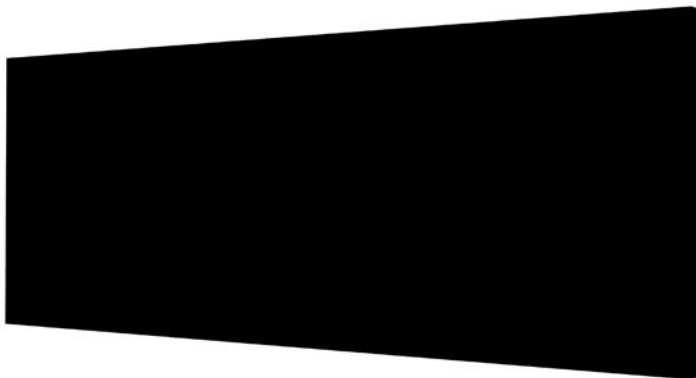
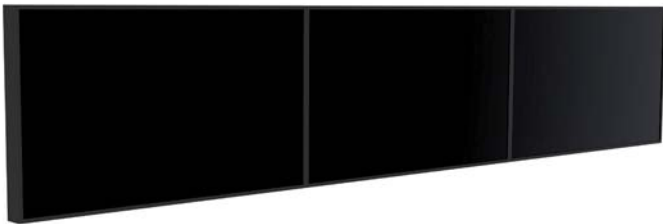
### Easy to mount – what exactly do you mean?

*All that is required is that you use a spirit level to align the holes in the wall into which the wall rails will be screwed. Only four holes are needed for each module. Once the wall rails are correctly positioned, the screen will automatically sit correctly. All that remains is simple fine adjustment.*

### What components are required to mount one module? What is included?

*You order one package that contains everything required: wall rails, screen fittings, screws, nuts and end caps.*

# SPREAD YOUR MESSAGE ANYWHERE



## CHOOSE BETWEEN A ROW OF SCREENS AND A VIDEO WALL OF ANY DIMENSION

Construct a video wall of any dimension and shape with the aid of easily mounted modules, designed to make exact alignment of the screens easy. Fine adjustment in the vertical and depthwise directions allows edge-to-edge mounting.



All that is needed is four holes for each module. These are used to fix the two wall rails, and when these are correctly positioned the screen will also be correctly positioned.

## RESTAURANT MACHO! TEX-MEX, STOCKHOLM

Four screens mounted edge-to-edge in two rows in combination with a tailored frame do full justice to the meals here. The restaurant is financed by the owners behind the Santa Maria range of spices.



### What is the maximum number of screens in a video wall or row?

*There is no limit in the horizontal direction. The more screens that are mounted in the vertical direction, the greater will be the screen temperature. Always double check the recommendations of the screen manufacturer.*

### This design supports very large screens, isn't the combined weight a problem?

*The wall brackets are manufactured from aluminium and are lighter than those used in many other designs. The two wall rails, for example, weigh as little as 1 kg. The very close distance between screen and wall, 46.5 mm, also contributes to giving an impression of lightness.*

### Is it possible to secure the screens?

*Each screen can be locked with the accompanying locking pin or with a padlock (not included), to increase personal safety and security from theft.*

# TECHNICAL SPECIFICATIONS

- Finish: aluminium/black.
- Suitable for VESA standard: 100-400 mm vertically.  
No limitation horizontally.
- Max. load: 100 kg/screen.
- Can be adjusted both depthwise and vertically. Simple fine adjustment.
- Distance between wall and rear of screen: 46.5 mm
- Can be locked with the accompanying locking pin or with a padlock (not included), to increase personal safety and security from theft.
- Suitable for screens approximately 37-65".
- All components are supplied in a single package.
- The accompanying end caps give an attractive finish to the installation and minimise the risk of injury from the aluminium profiles.

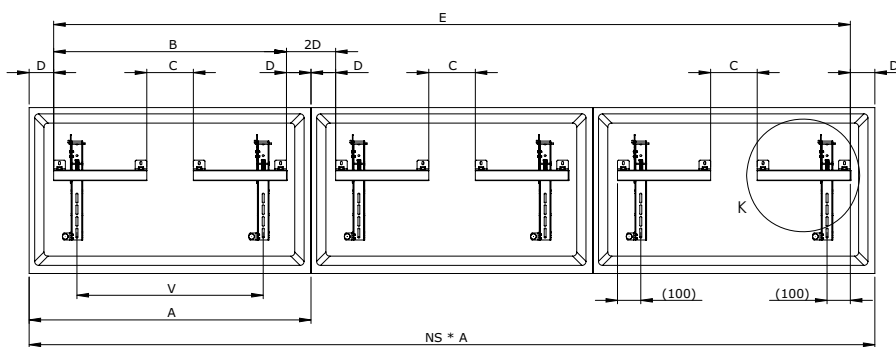
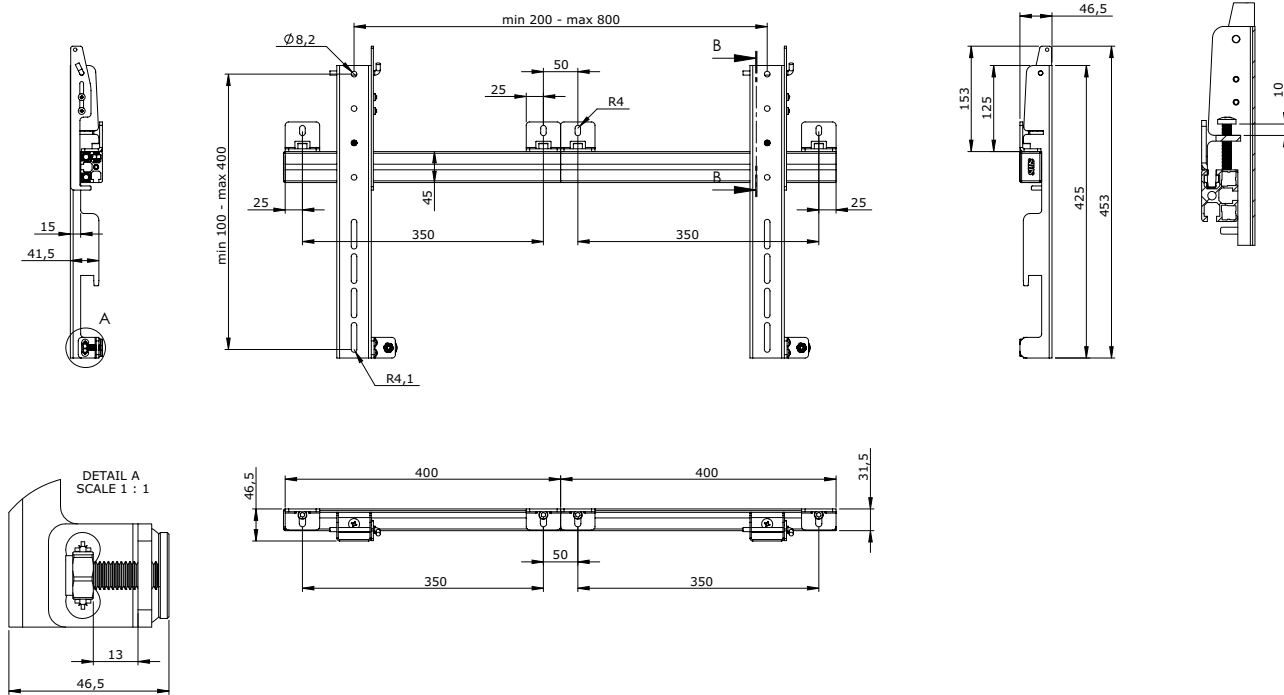
ART. NO	DESCRIPTION
PW010001	SMS Multi Display Wall

**Simple ordering – one package and one article number for each screen!**

A single article number covers everything needed to order one module (containing equipment for one screen).

**For example:** order 3 x PW010001 for a video row of three screens.

---



Vesa V=200/300/400/500 and max 600

B=800  
C=0  
D=(A-B)/2  
E=(NS\*A)-(2\*D)

Vesa V> 600/700 and max 800

B=(V+200)  
C=(B-800)  
D=(A-B)/2  
E=(NS\*A)-(2\*D)

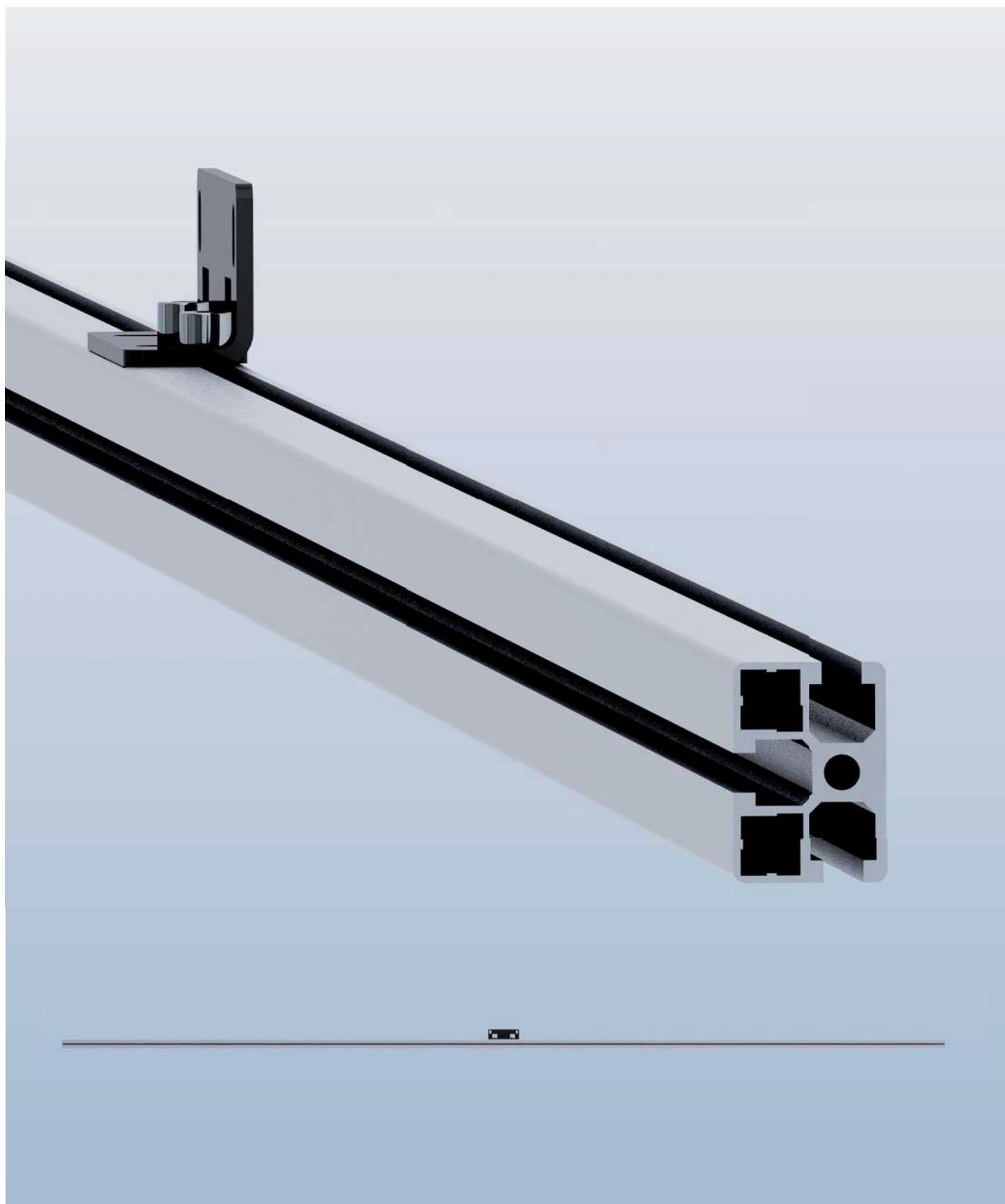
NS=Number of screens  
A = Screen width  
V =Vesa holepattern



SMART MEDIA SOLUTIONS

www.SmartMediaSolutions.se

# SMS MULTI DISPLAY WALL PILLAR



## Extra fast and accurate mounting of video rows.

Using one long mounting rail rather than several small ones allows you to mount SMS Multi Display Wall modules faster, and perfectly aligned. The long rail has an additional advantage where it is necessary to fix mounting screws in wall beams,

since it will cover more beams. This makes it easier to find the locations of a sufficient number of beams for safe mounting. The product consists of two rails of length 2,000 mm, on which Multi Display Wall modules are mounted as required. It is possible to cut and combine the rails freely. And everything is made from aluminium.

**INFO**

- Finish: Aluminium
- Each package contains two rails of length 2,000 mm.
- The rails can be cut to the desired length.
- Simplifies mounting of the Multi Display Wall series. Wall fittings and end caps are included in the Multi Display order.

**ART. NO.**  
PW010006

**DESCRIPTION**  
SMS Multi Display Wall Pillar

NB! It is important to use all of the pieces that are included in the Multi Display wall fittings used with the product, in order to ensure the strength and load capacity of the mounting.

