

SMS PROJECTOR CL V



Taking your projector to new heights.

SMS Projector CL V is our flagship projector bracket (and probable the most-sold in Europe). Elegant, functional and very reliable.

It's easy to adjust the length and angle of the bracket. SMS Projector CL V holds your projector upside down – it's the best way to get the most out of your projector. The catchword for this ceiling bracket is “easy”. Easy to install, easy to adjust and easy to like.

The SMS Unislide is included in the package.

- | | | | |
|---|--|------------------------------|--|
| <input checked="" type="radio"/> Ceiling | <input type="radio"/> Heavy weight | <input type="radio"/> Fixed | <input checked="" type="radio"/> Variable |
| <input type="radio"/> Wall | <input type="radio"/> Middle weight | <input type="radio"/> Swivel | <input type="radio"/> UniSlide |
| <input type="radio"/> Floor | <input checked="" type="radio"/> Light weight | <input type="radio"/> Tilt | <input type="radio"/> Hidden |
| <input type="radio"/> Table | | <input type="radio"/> 3D | <input type="radio"/> Double |
| | | <input type="radio"/> Mobile | |

SMS PROJECTOR CL V

INFO

- Color: Aluminum/silver or aluminum/black.
- Max load: 12 kg
- Length: 300-350, 500-750, 650-900, 850-1100, 1050-1300 mm (or customized, contact us for more info).
- Swivel & Tilt: The projector can be swiveled 360° and tilted 25°.
- Ceiling plate: 190x120 mm
- The SMS Unislide is included in the package.

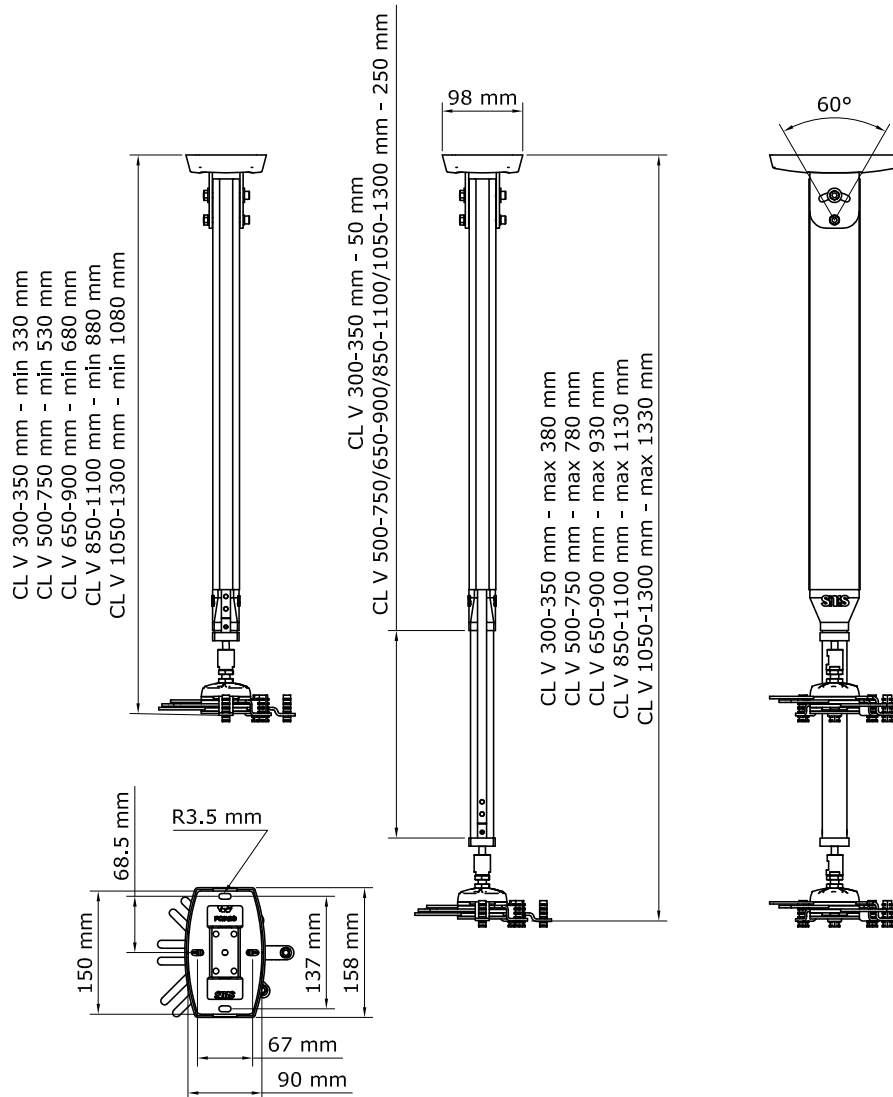
Optional: SMS Clamp (page. 6:C1).

ART. NO

AE012050
AE012052
AE012053
AE012055
AE012056
AE012058
AE012059
AE012061
AE012062
AE012064

DESCRIPTION

SMS Projector CL V300-350 A/B incl Unislide Black
SMS Projector CL V300-350 A/S incl Unislide Silver
SMS Projector CL V500-750 A/B incl Unislide Black
SMS Projector CL V500-750 A/S incl Unislide Silver
SMS Projector CL V650-900 A/B incl Unislide Black
SMS Projector CL V650-900 A/S incl Unislide Silver
SMS Projector CL V850-1100 A/B incl Unislide Black
SMS Projector CL V850-1100 A/S incl Unislide Silver
SMS Projector CL V1050-1300 A/B incl Unislide Black
SMS Projector CL V1050-1300 A/S incl Unislide Silver



SMART MEDIA SOLUTIONS

www.SmartMediaSolutions.se