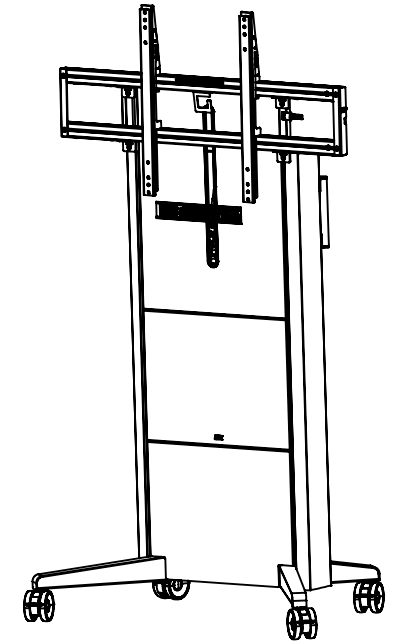
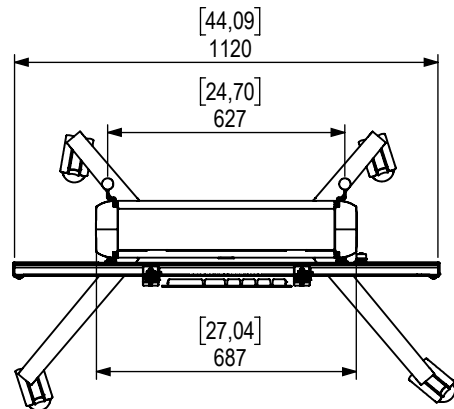
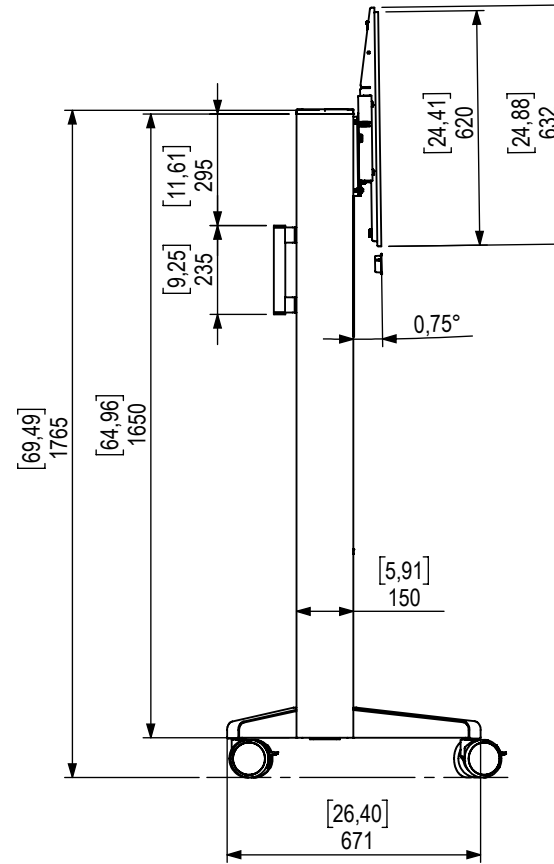
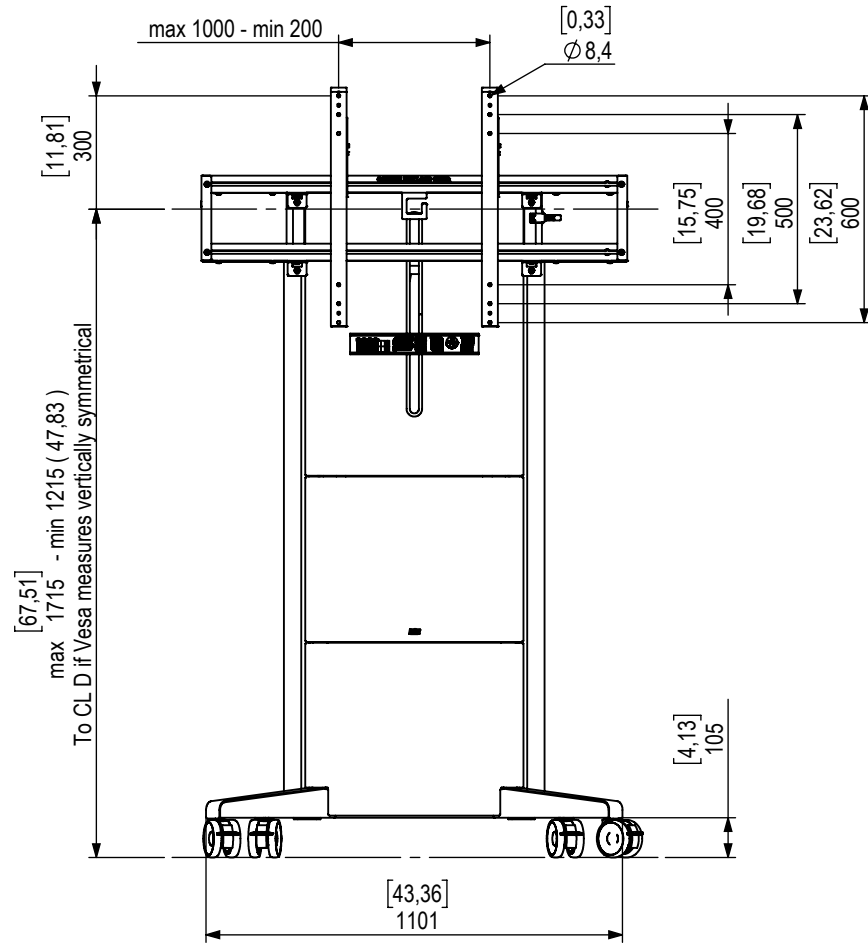


**Technical drawing (mm/inch)**  
 K05-101-22 / K05-101-62 Presence Mobile Motor 1000x600 ( Scale 1:20 )



CL D - Centrum Line Display