

Func Mobile Video Conference



Video conferencing on wheels.

Func Mobile Video Conference is a great option for both large heavy displays and touch-sensitive displays due to its very stable design. Thanks to the wheels, it is easy to move the unit between different rooms. The design includes a storage box for e.g. mini-PC, codec or laptop, easily accessed from the front. The box can be locked with a padlock (not supplied).

The displays can also be locked with a padlock (not supplied) or the accompanying locking pin, which provides increased protection from theft and personal safety. A black camera shelf is included.

INFO

Finish: Black
 Rec. display size, approx. 46" - 65"
 Maximum weight of each display: 55 kg
 HORIZONTAL VESA: 200 - 800
 VERTICAL VESA: 100 - 400
 Lockable: with the accompanying locking pin or with a padlock (not included).
 Dedicated area for storage inside the product [mm]:
 496 x 472 x 96.
 A camera shelf (black) is included.
 The display holders can be moved stepwise in height at installation.

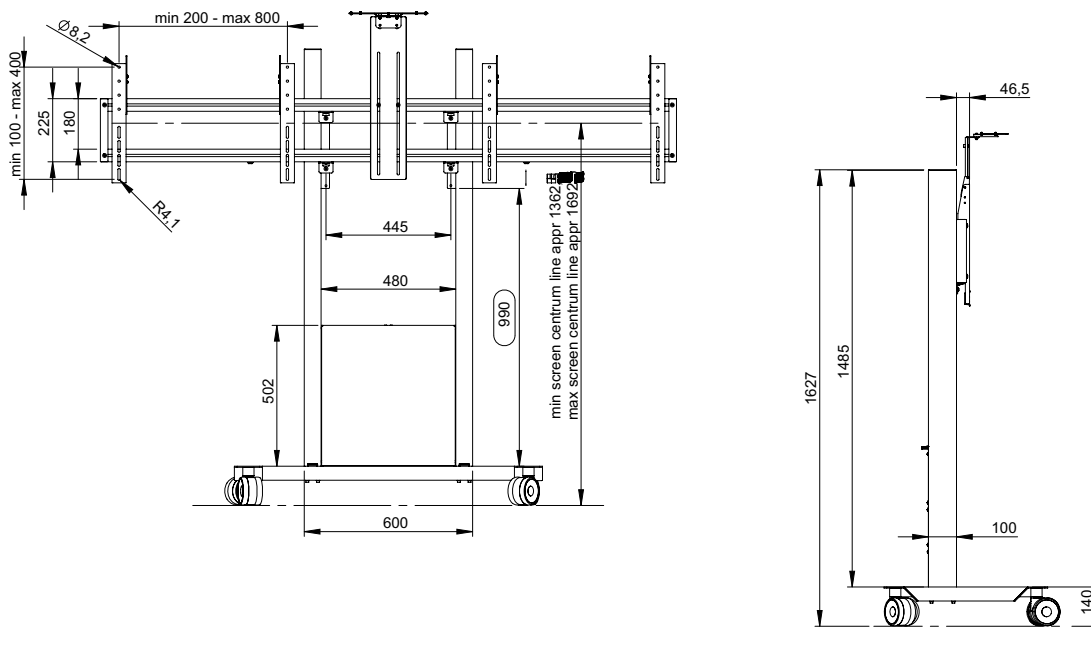
ART. NO. DESCRIPTION
FMN032001-P0 Func Mobile Video Conference

NB! Apart from the display weight and the VESA standard, please make sure that your display is not wider than given max display width in table here below.

Max display width [mm]:

- VESA 300x300 W=1620
- VESA 400x400 W=1520
- VESA 600x400 W=1320
- VESA 800x400 W=1120

PRODUCT DIMENSIONS [mm]



Max screen width W in mm with Vesa:	
Vesa 800x400	W=1120
Vesa 600x400	W=1320
Vesa 400x400	W=1520
Vesa 300x300	W=1620