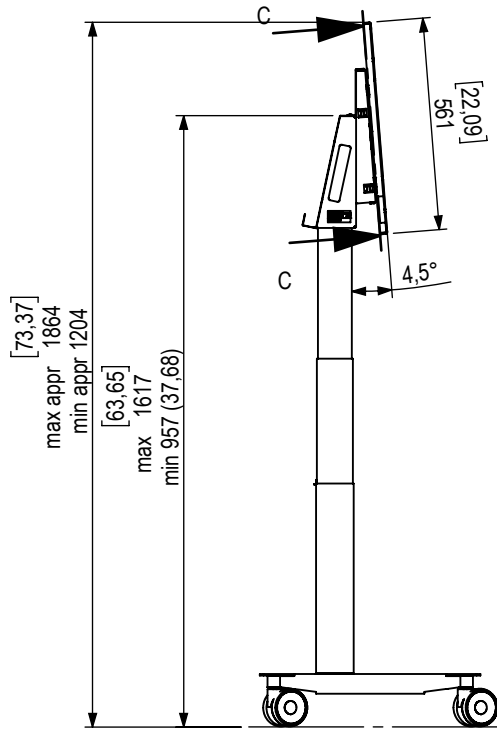
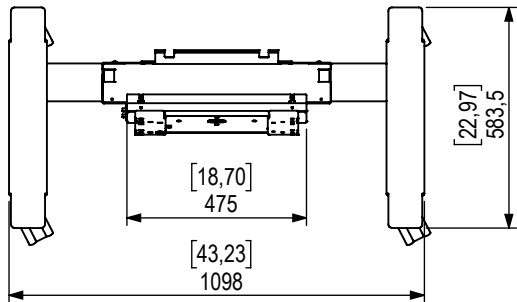
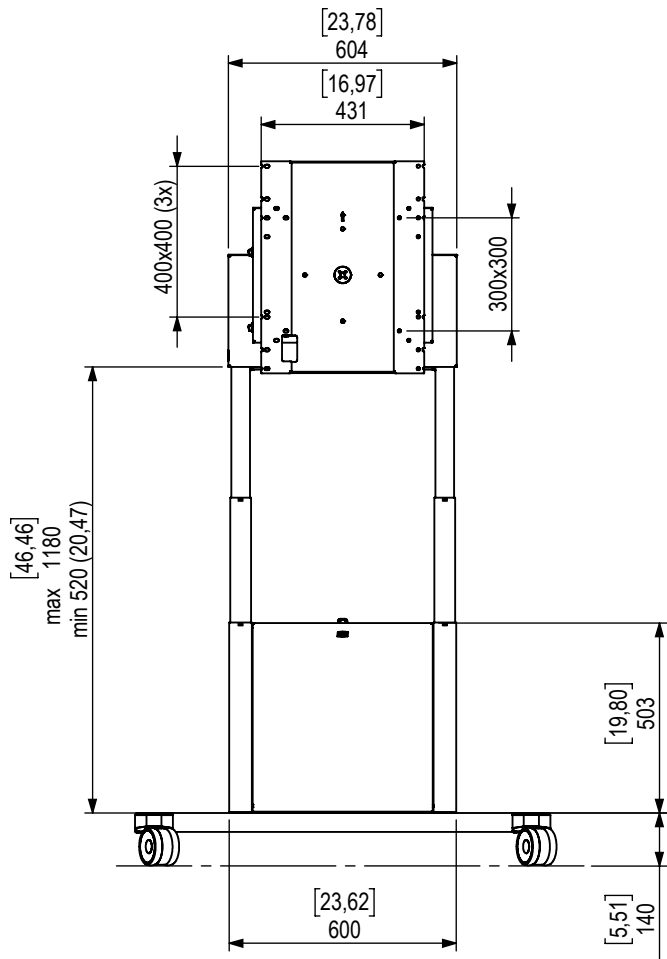


**Technical drawing (mm/inch)**  
 230-004-42 Func Mob Motor Flipster 2 EU dimensions



SECTION C-C  
 SCALE 1 : 8

