

# SMS FLATSCREEN X WH S605/1105/1455



When everything else is climbing the walls.

A flexible wall bracket that is available in several lengths. Choose a short version if you want only to have the screen on the bracket, or choose a longer version if you intend to add shelves or cabinets. The screen can be mounted on the bracket in both a vertical and a horizontal position. Electrical power sockets can be installed on the rear of the column, as an option. Can also be mounted onto concrete pillars.

The X series is characterised by clean and refined features. The cable holder, for example, into which it is easy to place all cables by hand. The surface finish has also been given extra attention.



# SMS FLATSCREEN X - WH S605/1105/1455

## INFO

- Finish: A/W (Aluminium/white).
- Max. load: 50 kg. The optional accessory SMS X H+ Unislide enables the bracket to bear up to 100 kg.
- Length (column): 605, 1105 or 1455 mm.
- Swivel: +/-20°.

Delivered as standard with our Unislide – SMS X H Unislide, which can be used with all VESA standards from 200 x 200 to 800 x 400 mm. (Screens ~40-55"). The SMS X H+ Unislide is available as an option. This can be used with all VESA standards from 200 x 200 to 1200 x 700 mm. (Screens ~60-80").

## ART. NO

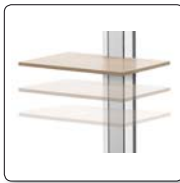
PD081001-P0	SMS Flatscreen X WH S605 W/S
PD081002-P0	SMS Flatscreen X WH S1105 W/S
PD081003-P0	SMS Flatscreen X WH S1455 W/S

## DESCRIPTION

## ACCESSORIES:

PD100001	SMS Power Socket EU (Schuko)
PD100002	SMS Power Socket CH
PD100003	SMS Power Socket UK
PD210002	SMS X H+ Unislide*
PD300005-P0	SMS X Shelf White*
PD300006-P0	SMS X Shelf Oak*
PD300007-P0	SMS X Shelf Walnut*
PD400001	SMS X Media Box White*
PD400003	SMS X Media Box Oak*
PD400004	SMS X Media Box Walnut*
PD410001	SMS X Media Box Rack Accessory*

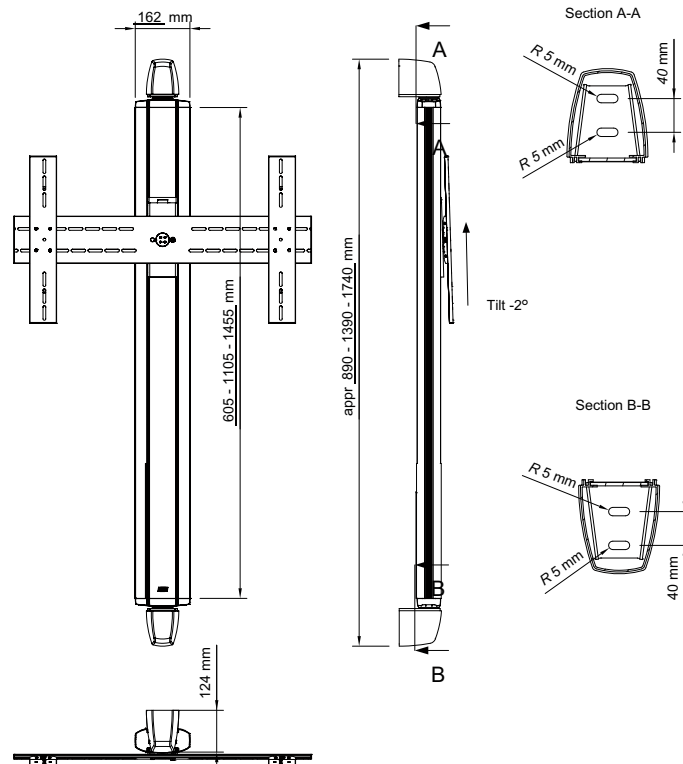
\*More info in separate data sheet.



All peripheral equipment readily available using practical accessories such as shelves and cabinets.

Electrical power sockets can be mounted at the rear.

Rotatable, discrete, secure attachment.



SMART MEDIA SOLUTIONS

[www.SmartMediaSolutions.se](http://www.SmartMediaSolutions.se)