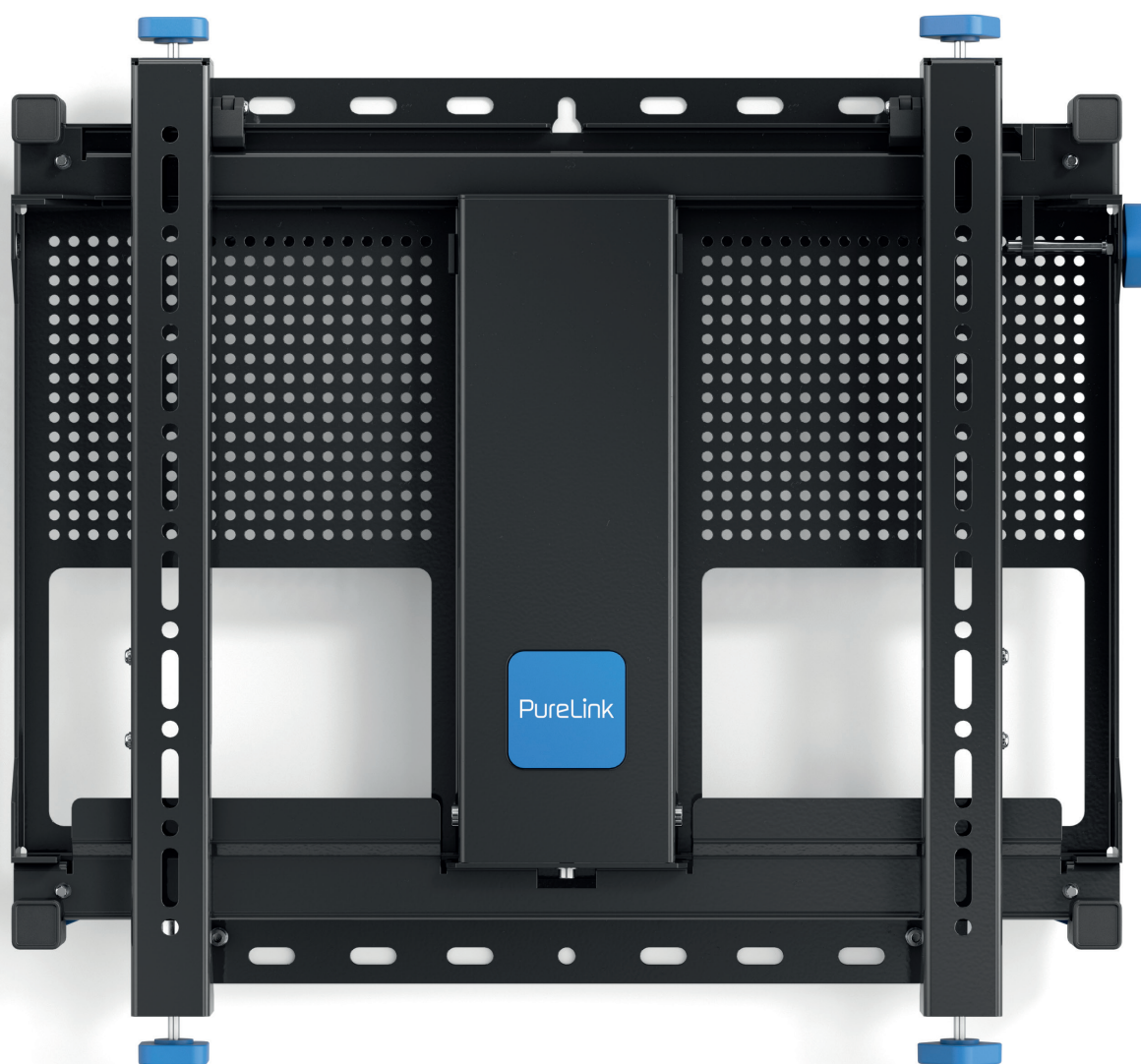


# PureLink

## NO-TOUCH | WALL MOUNT



PATENT PENDING

 **Vuelogic**

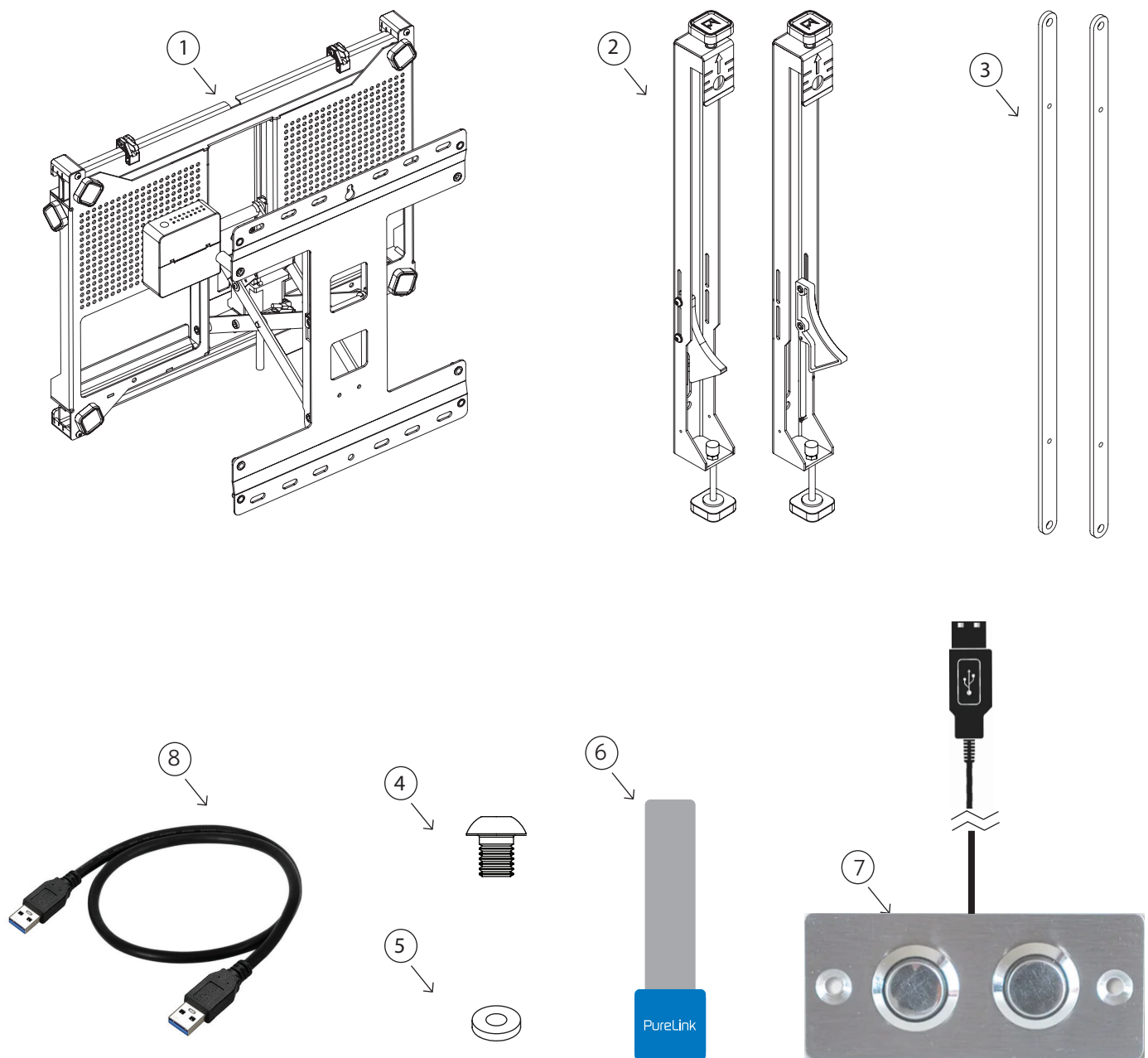
WM-NT400 | WM-NT400W

Please read all pages prior to installation!



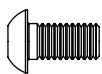
## PARTS LIST

REF	PART NAME	QTY	REF	PART NAME	QTY
1	No-Touch Mount	1	5	M6 Washers x 2mm	4
2	Interface Arms	2	6	Universal Controller	1
3	VESA 600mm Extension Arms	2	7	USB Male To Male	1
4	M6 x 10mm Screws	4		Power Supply Input: AC 100-240 V (50-60Hz)   Output: 12V-2A	1



## INTERFACE KIT

REF	PART NAME	QTY	REF	PART NAME	QTY
A	M6 x 16mm Screws	4	G	M8 x 5mm Spacers	4
B	M6 x 25mm Screws	4	H	M8 x 13mm Spacers	4
C	M6 x 40mm Screws	4	I	M8 x 25mm Spacers	4
D	M8 x 16mm Screws	4	J	M6 washers (for parts A-C)	4
E	M8 x 25mm Screws	4	K	M8 washers (for parts D-F)	4
F	M8 x 40mm Screws	4			



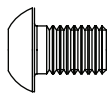
A



B



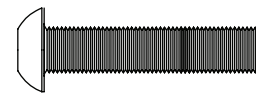
C



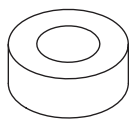
D



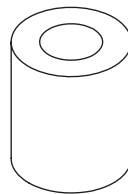
E



F



G



H



I



J



K



## INSTALLATION SAFETY INSTRUCTIONS

**This mount is intended for use with screens up to 40kg/88lbs. Exceeding this weight can result in instability causing damage or injury. Always use caution when installing.**

Do not attempt to install this product until all instructions and warnings have been read and properly understood. Please keep these instructions for future reference.

Please check carefully to make sure there are no missing or defective parts. Defective parts must never be used. PureLink GmbH, its distributors and dealers are not liable or responsible for damage or injury caused by improper installation, improper use or failure to observe these safety instructions. In such cases, all guarantees will expire.

### General

PureLink GmbH recommends that a professional AV installer or other suitably qualified persons, install this product. Great care must always be taken during installation as AV equipment is fragile, possibly heavy and easily damaged. If you do not fully understand the instructions or are not sure how to install this product safely, then please consult a professional for advice and/or to install this product for you. Failure to mount this product correctly may cause serious injury or death both during installation and at any time thereafter.

Do not mount any AV equipment that exceeds the specific weight limit of the product you are installing. This weight limit will be clearly stated on each product and its packaging and will vary from product to product.

### Product location

Please pay careful attention to where this product is located. Check load capacity of wall prior to installation as some walls are not suitable for installation. Designed for indoor use, this mount is suitable for public or home installation. If located in a public area, ensure the product is out of the immediate reach of people. If any AV equipment is to be suspended over the likely path or location of people, then great care must be used, ensuring all equipment is securely fixed to a wooden stud, concrete block or other permanent structure.

Installing on drywall boards alone will not support the weight of most AV equipment.

When drilling holes in walls it is essential to avoid contact with electrical cables, water or gas pipes, contained within. Use of a good quality live wire detector and hidden abscess locator is therefore recommended.

Only drill into structures when you are sure it is safe to do so.

### Fixing hardware

It is highly recommended that all wall fixings be used where supplied and that the purpose of all hardware is fully understood.

In some cases, more AV equipment fixing hardware will be supplied to accommodate different models of equipment and set up configurations.

The installer must be satisfied that any supplied fixing hardware is suitable for each specific installation. If any fixing screws or included hardware are deemed not sufficient, for a safe installation, then please consult a professional or your local hardware store.

### Hazard limitation

When routing cables take advantage of any built-in cable management features that the product might provide and ensure that all cables are properly routed and secure. Check to see that any moving aspect of the product can do so unhindered by any cabling. Do not block the sensor beam area of the No-Touch Mount.

Some products have moving parts and the potential to cause injury through the crushing or trapping of fingers or other body parts, exercise care and read all warnings.

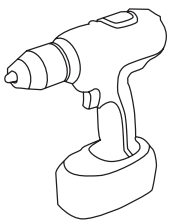
Pay close attention to all moving parts, especially when assembling, installing and servicing. Immediately after installation, double check that the work done is safe and secure. Double check all necessary fixings are present and suitably tightened.

It is recommended that periodic inspections (not greater than 6 months apart) of the product and its fixing points are made, to ensure safety is maintained. If in doubt, consult a professional AV installer or other suitably qualified person.

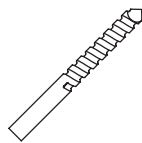
**Periodic Inspection Record:**

DATE	INSPECTED BY	LOCATION	SIGNED

**Installation tools required**



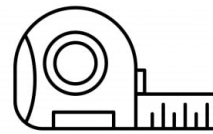
Drill



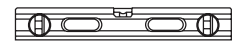
Drill bit



Pencil



Measuring tape



Level



Electric Wall Scanner



## WARNING

### ES

PureLink GmbH recomienda que un instalador de audio y video profesional u otra persona debidamente cualificada instalen este producto. PureLink GmbH, sus distribuidores y concesionarios no se hacen cargo ni se responsabilizan de ningún daño o lesión provocados por una instalación inapropiada. Este producto se debe montar en una estructura adecuada y se debe utilizar soportando solamente hasta el peso máximo indicado.

### FR

PureLink GmbH recommande de confier l'installation de ce produit à un installateur AV professionnel ou à une autre personne dûment qualifiée. PureLink GmbH, ses distributeurs et ses revendeurs ne sauraient être tenus responsables de tout dégât ou de toute blessure résultant d'une installation incorrecte. Ce produit doit être monté sur un support approprié et utilisé dans la limite du poids maximum indiqué.

### DE

PureLink GmbH empfiehlt, dass dieses Produkt durch einen qualifizierten AV-Techniker oder eine andere Person mit geeigneter Qualifikation installiert wird. PureLink GmbH, ihre Distributoren und Händler können nicht für durch fehlerhafte Montage verursachte Beschädigung oder Verletzung haftbar bzw. verantwortlich gemacht werden. Dieses Produkt muss auf eine geeigneten Untergrund montiert werden und darf nur bis zum angegebenen Höchstgewicht verwendet werden.

### IT

PureLink GmbH consiglia di affidare l'installazione di questo prodotto a un installatore specializzato o ad altra persona adeguatamente qualificata. PureLink GmbH i suoi distributori e rivenditori non accettano alcuna responsabilità nei riguardi di eventuali danni o infortuni causati da un'errata installazione. Questo prodotto deve essere fissato a una struttura idonea e utilizzato unicamente sino al peso massimo indicato.

### NL

PureLink GmbH adviseert om dit product te laten installeren door een professionele AV-installateur of andere hiervoor gekwalificeerde persoon. PureLink GmbH haar distributeurs en dealers zijn niet aansprakelijk of verantwoordelijk voor schade of letsel die is veroorzaakt door onoordeelkundige installatie. Dit product moet worden gemonteerd aan een geschikte constructie, waarbij het aangegeven maximum gewicht niet mag worden overschreden.

### PT

A PureLink GmbH recomenda que a instalação deste produto seja efectuada por um instalador de AV instalador de AV profissional ou outra pessoa devidamente habilitada. A PureLink GmbH e os seus distribuidores e concessionários não são responsáveis por danos ou lesões causados por uma instalação incorrecta. Este produto tem de ser montado numa estrutura adequada e utilizado somente até ao peso máximo indicado.

### PL

Firma PureLink GmbH zaleca, aby ten produkt był instalowany przez profesjonalnych instalatorów AV lub inny odpowiednio przeszkolony personel. Firma PureLink GmbH, jej dystrybutorzy i dealerzy nie ponoszą odpowiedzialności za uszkodzenia lub obrażenia ciała powstałe w wyniku nieprawidłowej instalacji. Niniejszy produkt musi być zamontowany na odpowiedniej powierzchni, a podczas użytkowania nie wolno przekraczać podanego maksymalnego obciążenia.

### CS

Společnost PureLink GmbH doporučuje provést instalaci tohoto produktu instalátora AV či jinak způsobilé osoby. Společnost PureLink GmbH, její distributoři a prodejci nenesou prostřednictvím odborného odpov. osobnost za škody nebo zranění způsobená nevhodnou instalací. Tento výrobek je nutno umístit do vhodné konstrukce a používat jen po uvedené maximální výšce.

### RU

Компания PureLink GmbH рекомендует чтобы установка данного изделия производилась инженером по установке аудио-видеотехники или другим специалистом с соответствующей квалификацией. Компания PureLink GmbH ее дистрибьюторы и дилеры не несут ответственности за повреждения или травмы, полученные в результате неправильной установки. Данное изделие должно

### Warranty period : 2 Years

This PureLink product, delivered new, in the original carton to the original consumer purchaser, is warranted by PureLink against manufacturing defects in materials and workmanship for the warranty period above. This warranty begins on the original date of purchase. To receive warranty service, the purchaser must contact PureLink for problem determination and service procedures. Warranty service can only be performed by a PureLink authorized service centre. The original dated bill of sale must be presented upon request as proof of purchase to PureLink authorized service centre.

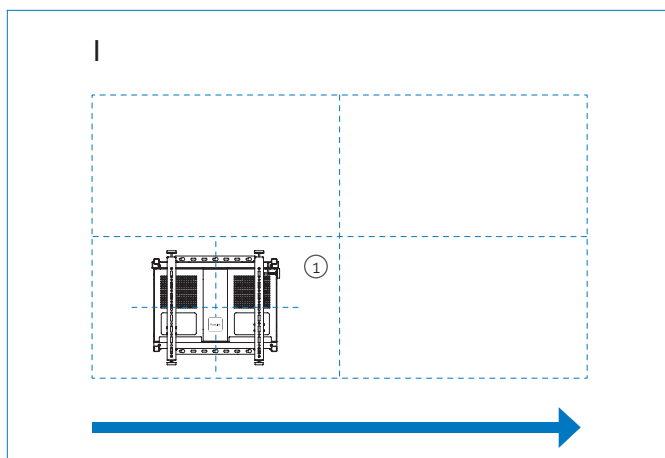
# INSTALLATION GUIDE

## General recommendations

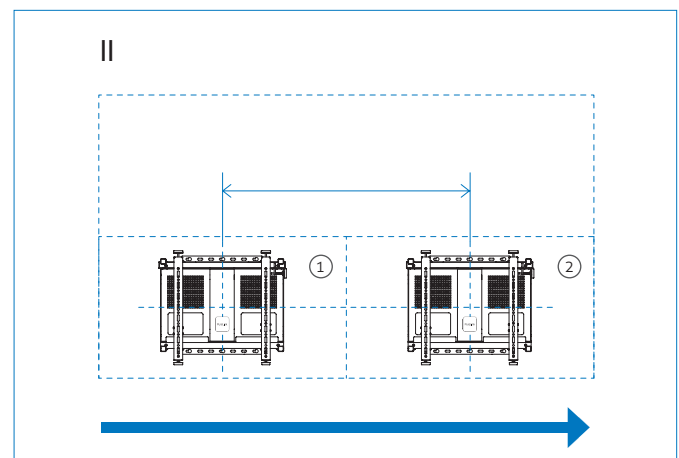
Check the wall structure being mounted to. Use a level to ensure the wall is flat and note areas of concern. Use washers, shims or spacers between the wall and the mount to create a flat surface for mounting. A flat mount will make adjustments much easier and faster when aligning screens.

Note: The PureLink GmbH No-Touch Mount is ONLY suitable for installation perpendicular to the floor in portrait or landscape orientation. It is NOT suitable for angled or overhead mounting. For angled mounting please see Soft-Touch Mount on [www.PureLink.de](http://www.PureLink.de)

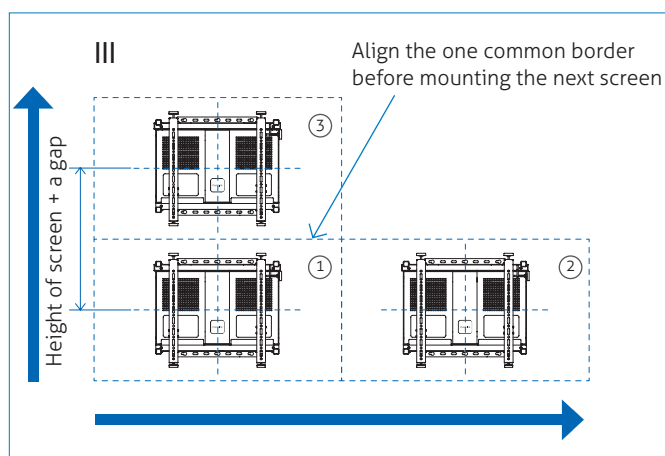
We recommend video walls start in a corner, we show starting at the bottom left then add the screens row by row, aligning the screens as you build. Also, make sure depth and lateral micro adjustments are centered before installation, making alignment quicker and easier.



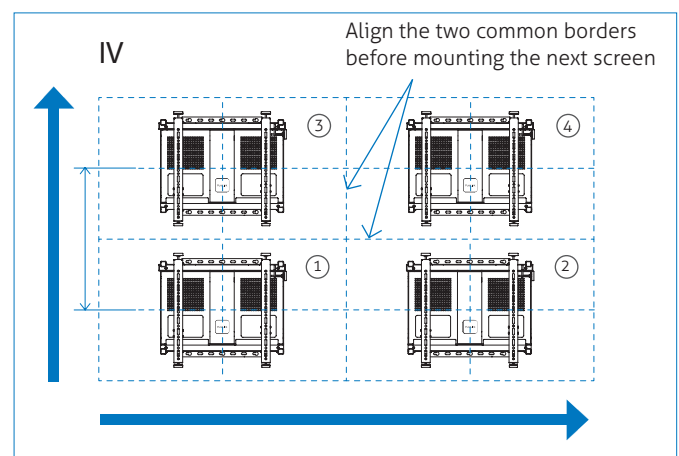
Start from the bottom corner of the video wall configuration.



Width of screen determines center to center distance for next horizontal mount location.



Height of screen determines center to center distance for next vertical mount location.



Build Horizontally first then add rows until all rows are completed.

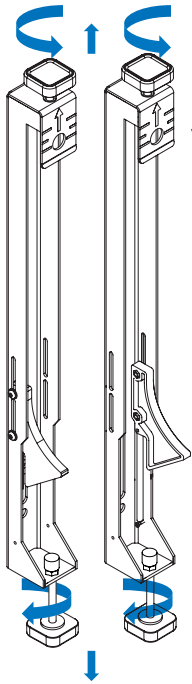
**Note: Walls are built from different materials and require different wall bolts for best performance and safety. Please select suitable fixings or consult an expert for guidance.**



# INSTALLATION INSTRUCTIONS

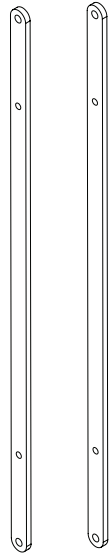
## Step 1 **Unpack and check all parts**

Open top and bottom handwheels on Interface Arms (closed for shipment). Check depth and lateral adjustment knobs are centered in adjustment range.

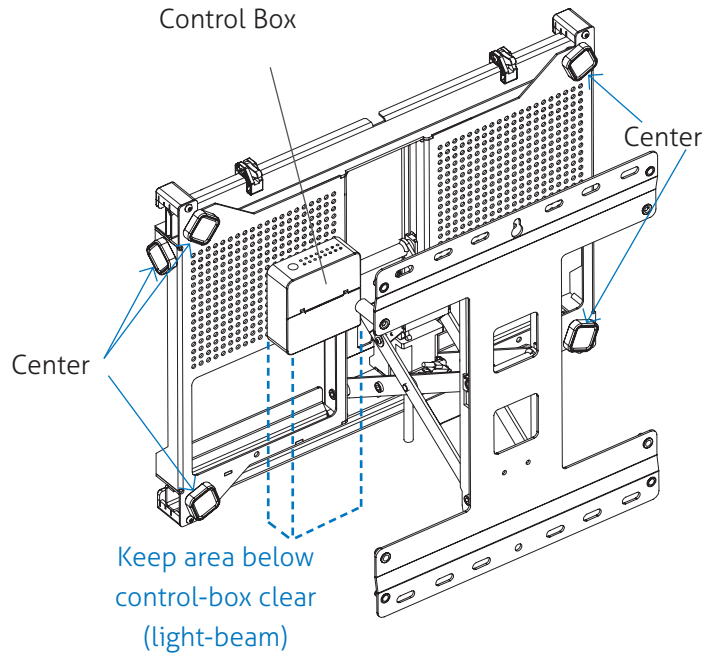


Open top and bottom Handwheels

Interface Arms



Extension Arms



## Step 2 **Measure, mark and drill holes**

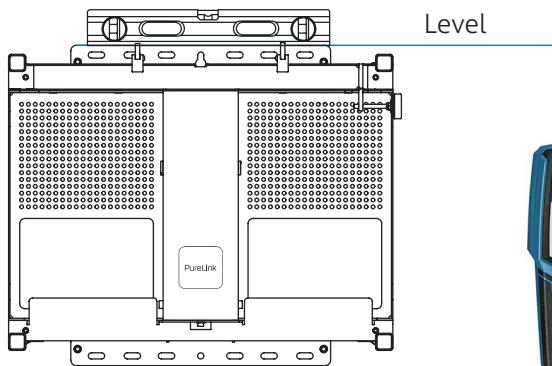
Use level to check alignment.

Use an Electric Wall Scanner to locate electrical wires to drill holes in the wall safely

Tighten all wall bolts (5 pcs recommended).

**Do not hang screen on mount (until step 7).**

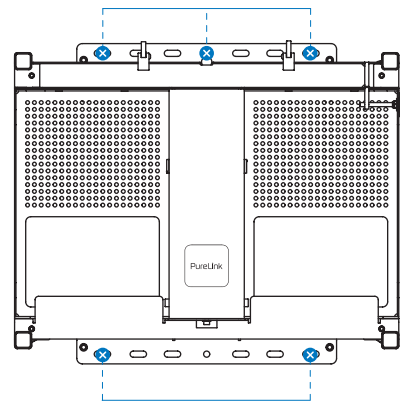
Use minimum 2 wall bolts (3 recommended) at Top and 2 wall bolts bottom of mount. Heavier screen should have 3 bolts including center top keyhole location.



Level



Electric Wall Scanner



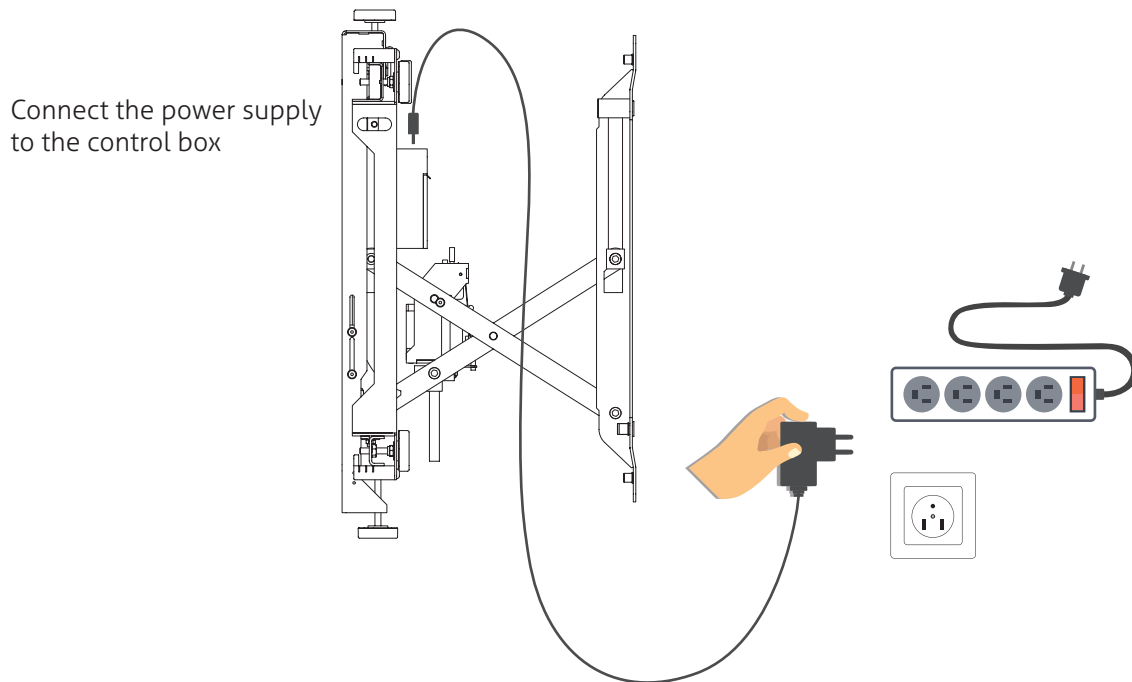
Wall fixing holes



**Step 3**

Connect the power supply to the control box and electrical socket

**Only** use the power supply provided. If not possible, contact us to ensure the appropriate replacement is used. Note: The use of 3rd party power supplies will void warranty!



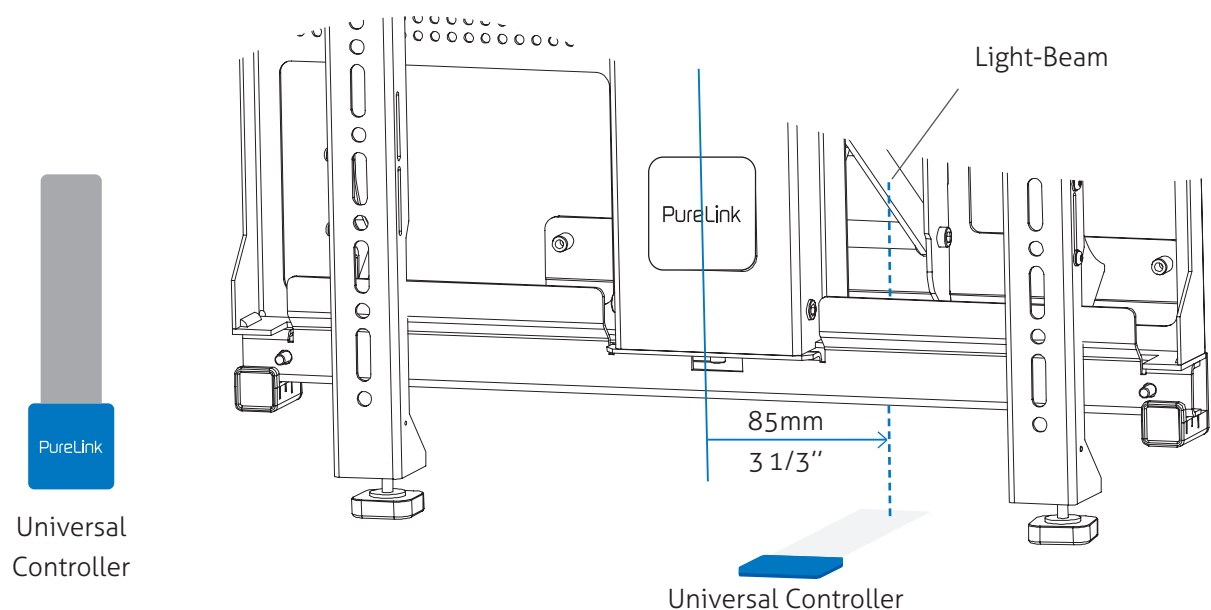
**Note:** Once the screens are installed aligned and closed, to prevent accidental movement of the Mount or electrical interference/damage, ensure that **Mount-dedicated** power strips or power supply is turned off/unplugged, until next service appointment.

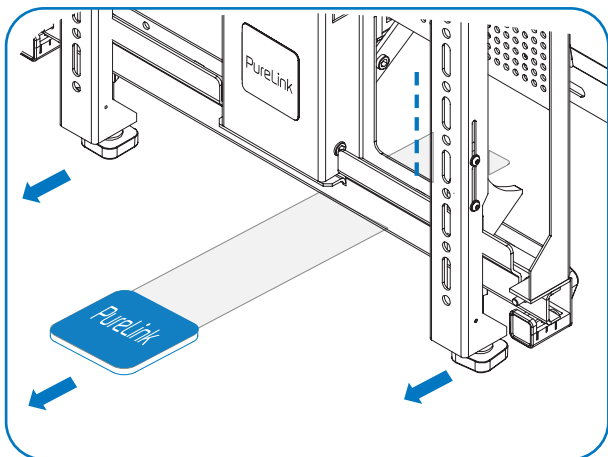
**Step 4**

### How to use Universal Controller to operate the Mount

The PureLink GmbH No-Touch Mount, allows the screen to move OUT and IN, without the need to touch the screen.

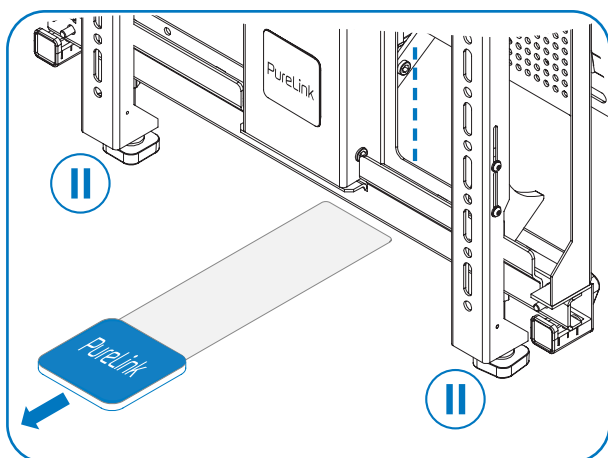
Position the control wand approximately 85mm (3 1/3") to the right of center of the mount (see below). The mount will slowly start to move OUT.





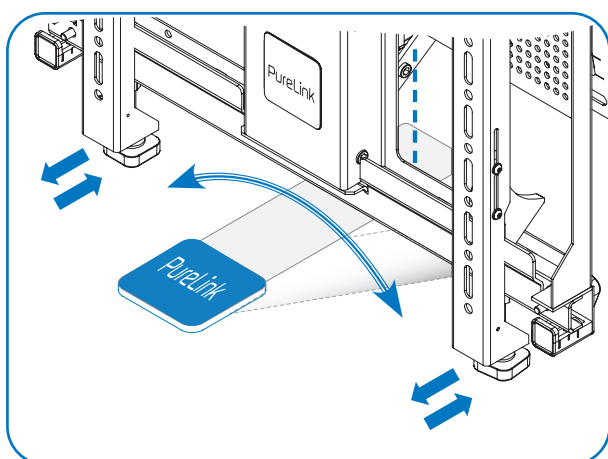
### Move Universal Controller with the Mounts Movement

Once the Universal Controller is positioned below the light beam, the Mount will start moving. To keep the Mount moving, make sure you follow this movement also with the Universal Controller. If you leave the light beam, the Mount will STOP.



### To STOP the Mount, remove the Universal Controller from the light beam

The Mount will only move as long the Universal Controller is below the light beam. Once removed from light beam, the Mount will STOP



### To CHANGE the Mounts DIRECTION, quickly SWIPE the Universal Controller through the light beam

You will hear a signal:  
 2 beeps: move IN  
 3 beeps: move OUT

After hearing the signal, position the Universal Controller again below the light beam to move the Mount in the chosen direction.

When fully closed or open, it will not beep as it can only move one direction.

### Position of the light beam

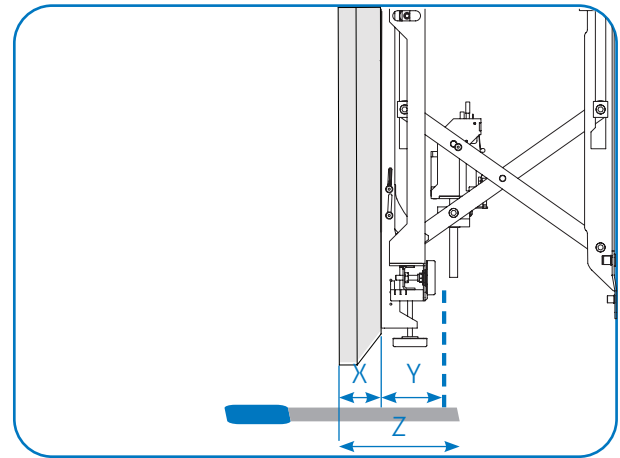
X = Depth of the screen

Y = 85mm

Z = X + Y + 10mm

Z\* = Depth controller needs to be from front of screen to operate the Mount.

\* some users mark the controller to show this distance for easier use

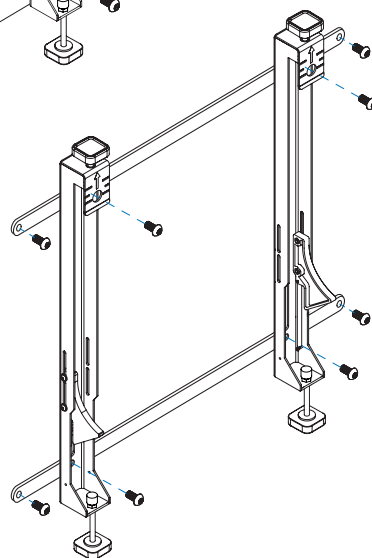
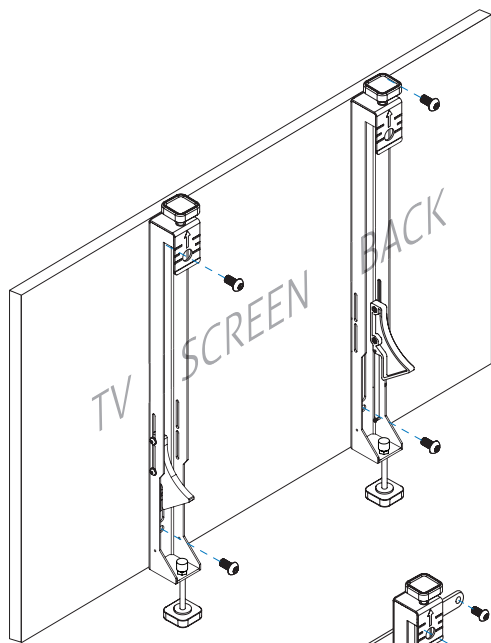


#### Step 5

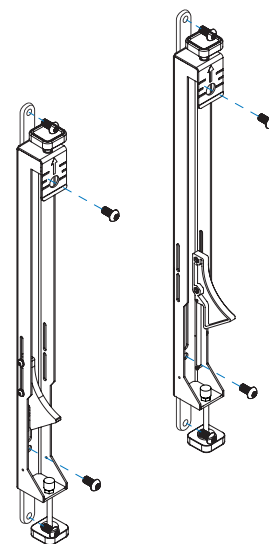
### Attach the Interface Arms to the screen (Landscape or Portrait)

The interface arms fit from VESA 200 x 100mm through 400 x 400mm.

For 600 x 400mm or 400 x 600mm use supplied extension arms.



For VESA 600x400 Landscape



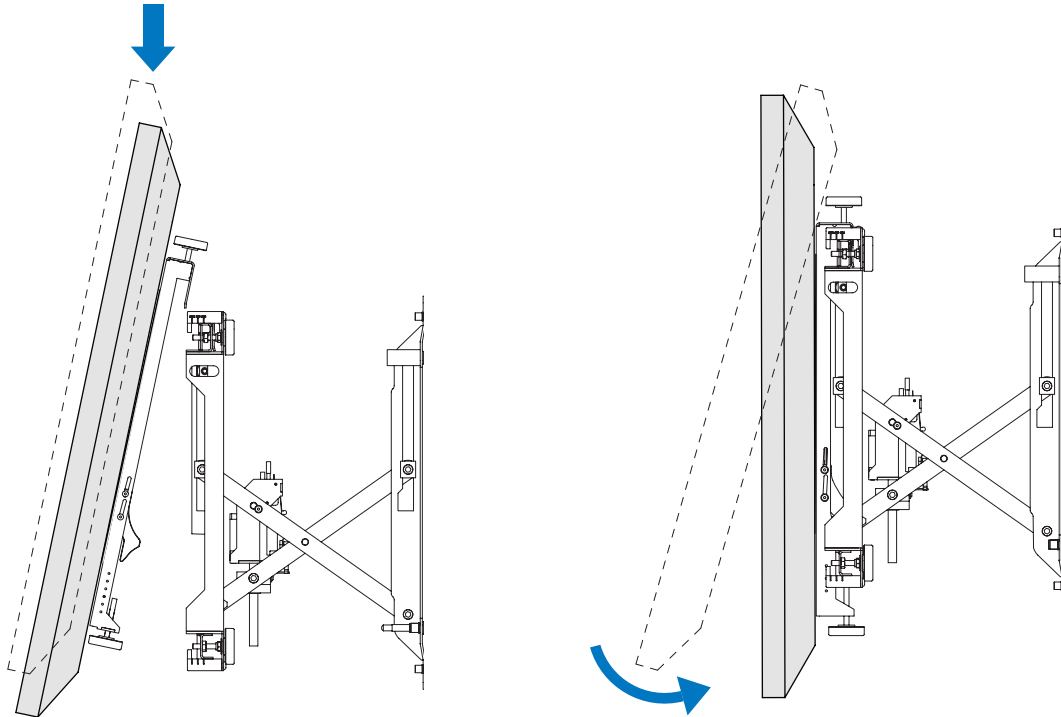
For VESA 400x600 Portrait



Step 6

### Connect screen to Mount

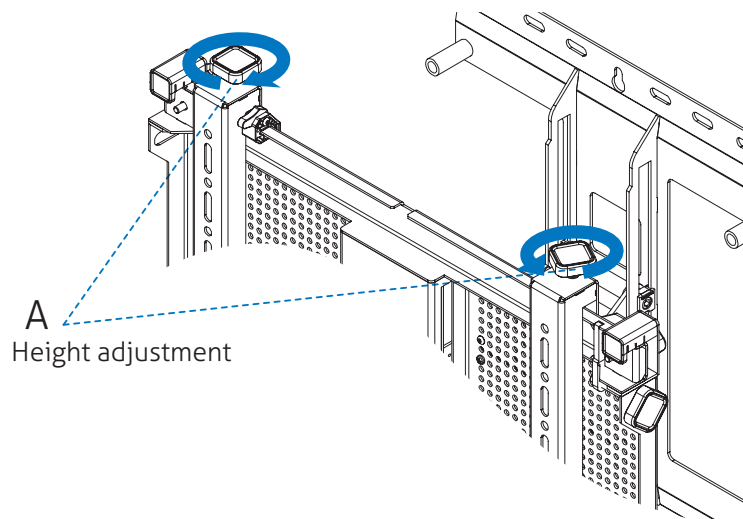
At slight angle, hook arms onto top of frame, then flatten screen onto Mount base until it clicks into position.



Step 7

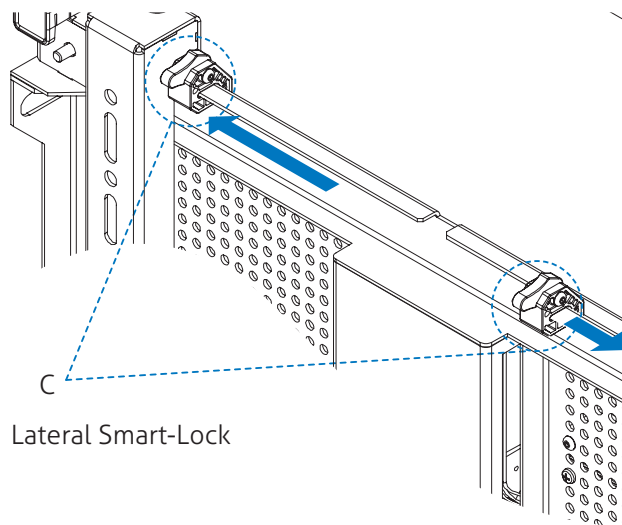
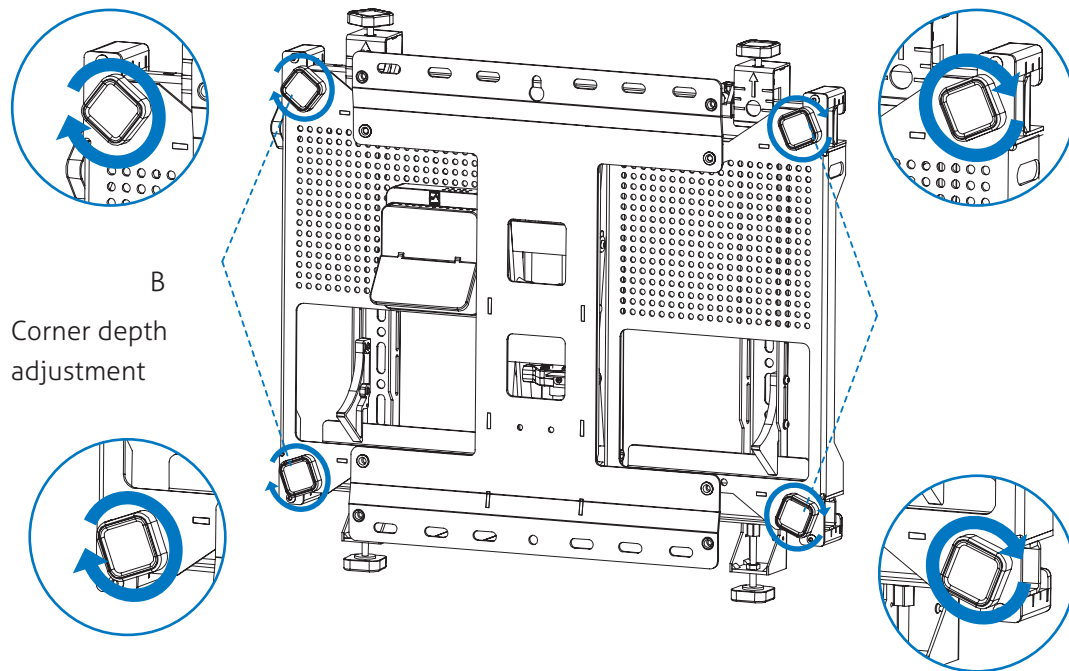
### Make Adjustment

- A : Height adjustment
- B: Corner depth adjustment
- C: Lateral macro adjust
- D: Lateral micro adjustment
- E: Locking handwheels (must be loosened for any adjustments)



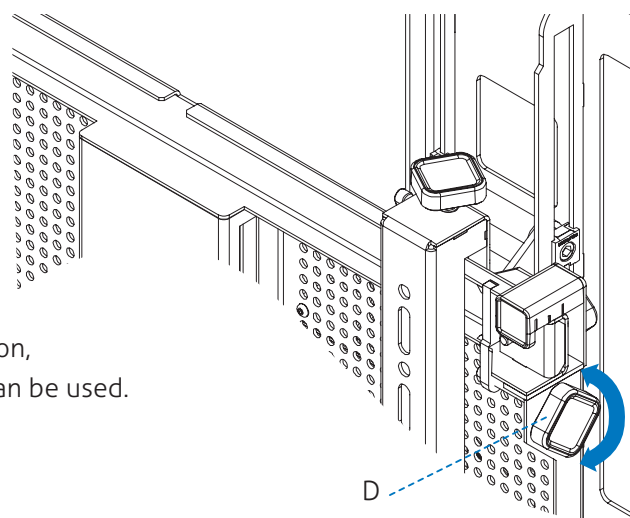
A  
Height adjustment

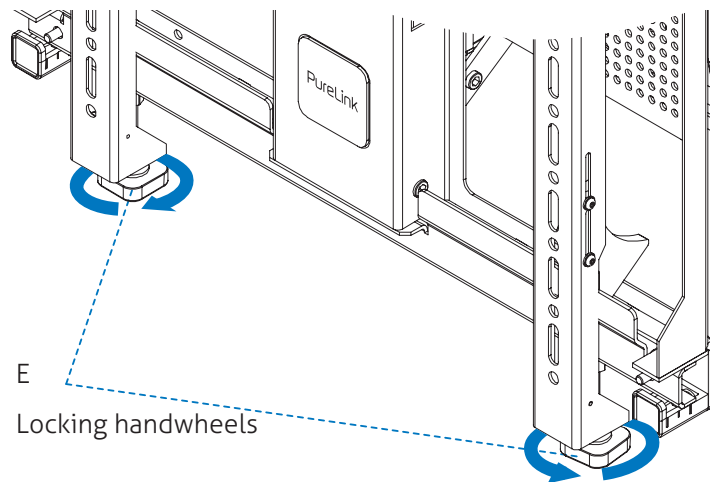
Each time you add a screen to the video wall make needed adjustments.



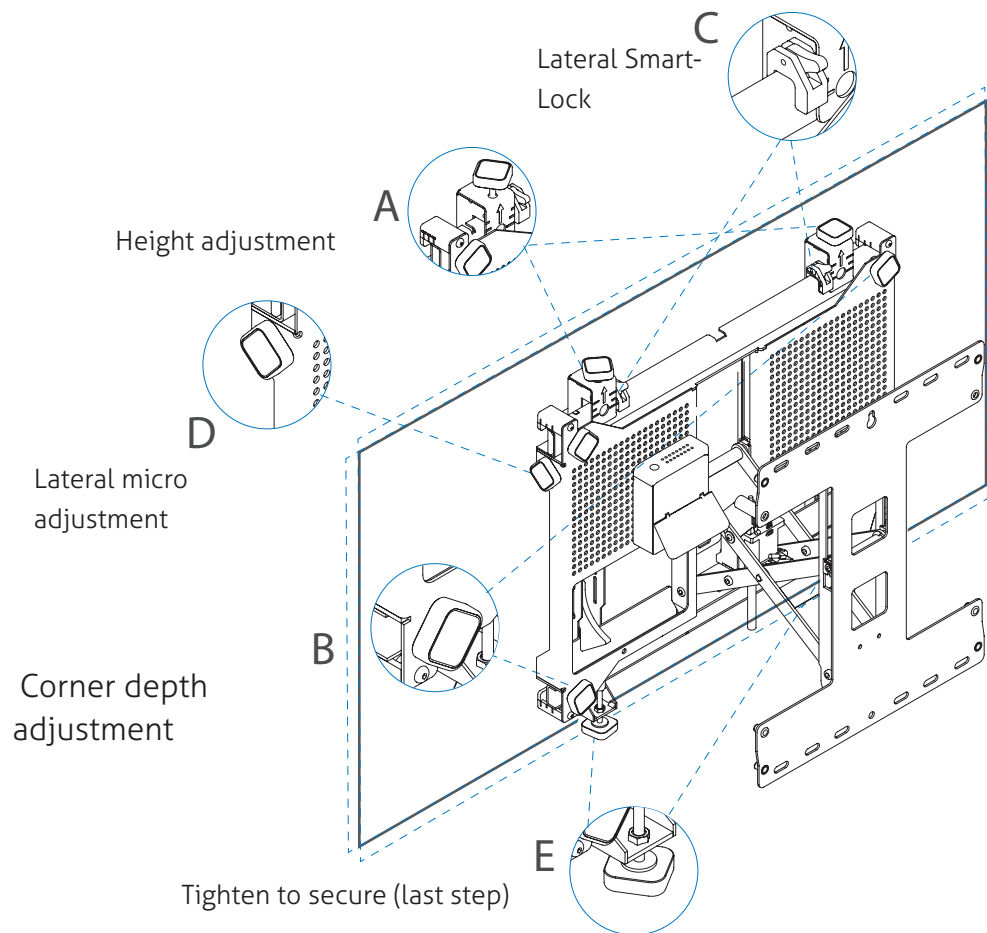
- 1) unlock lateral Smart-Lock,
- 2) slide screen into position,
- 3) slide Smart-Lock to interface arm,
- 4) lock Smart-Lock.

1) After Smart-Lock is in position, the lateral micro adjustment can be used.





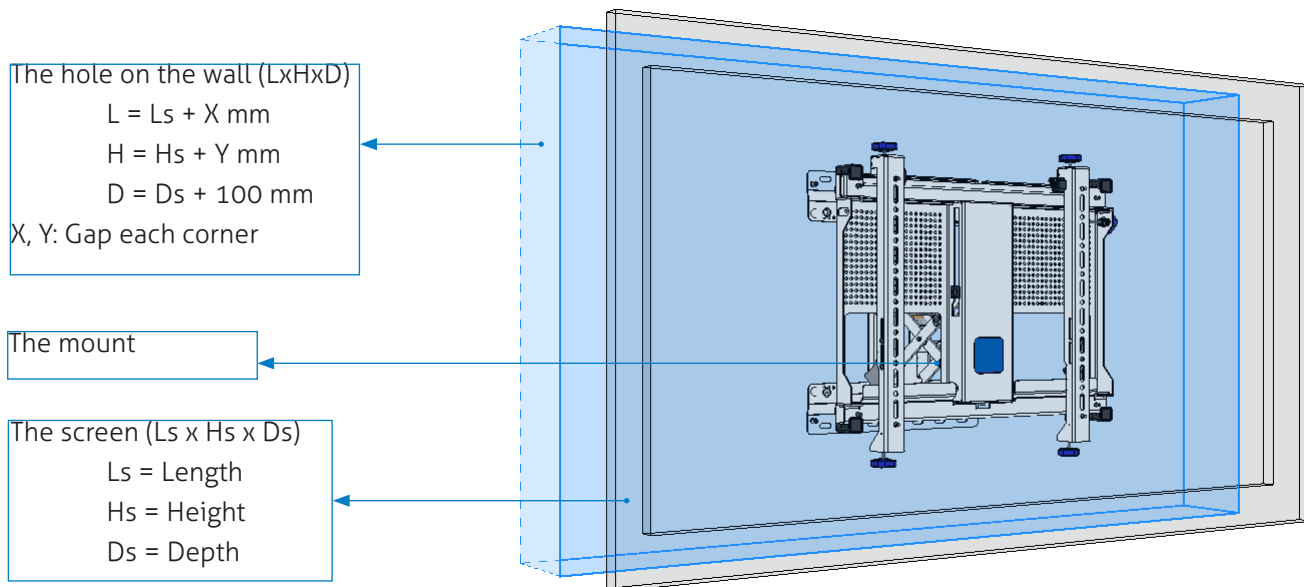
***\*Note: Locking handwheels must be loosened before any adjustments can be made. Once all adjustments are done, the locking handwheels can be tightened.***



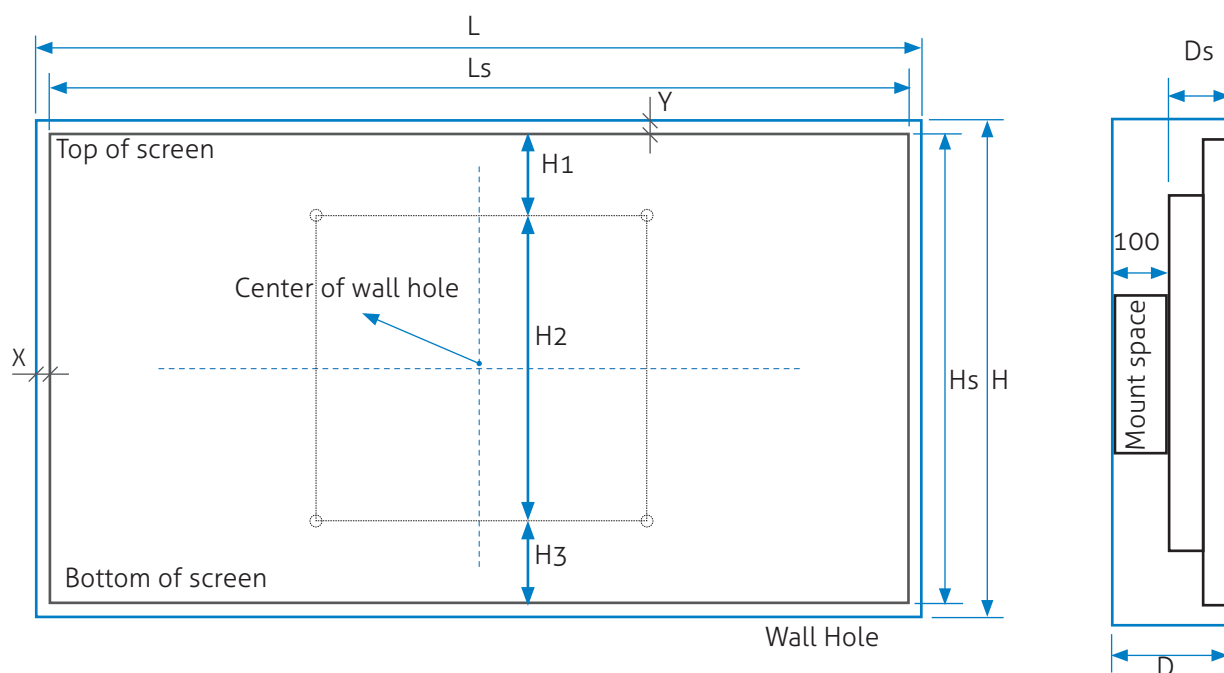
## RECESS FLAT SCREEN INSTALLATION

**Step 1** Make a rectangular hole on the wall using the dimensions of the chosen screen by following the instructions below.

- Please ensure minimum gaps between the screen and four edges of the recessed box is 2mm and that corners and four angles are 90 degrees.
- Must use Electric Wall Scanner to locate the position of electric wires before drilling into the wall.



The dimension of rectangular holes on the wall need to be created based on the screen's dimensions.  
 Note: Some screen manufacturers do not put the VESA holes at the center of the screen backside. Therefore, you should locate the position of back wall plate and mark the drill holes with the following instruction.





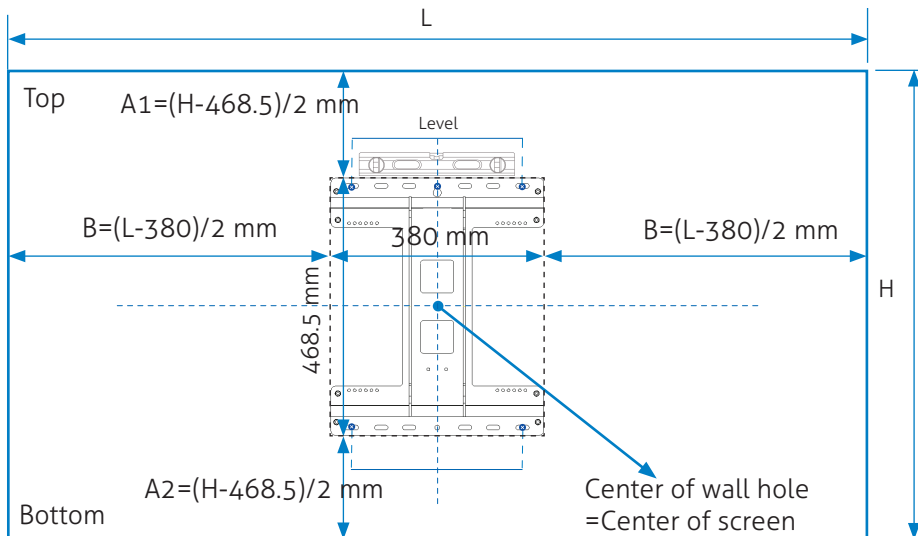
**Step 2** Locate the mount's back wall plate by using tape ruler and bubble level.

**Important: The VESA holes position of a monitor is pre-defined by the manufacturer.**

- Must use Electric Wall Scanner to locate the position of electric wires before drilling into the wall.

2.1 If H1=H3, the position of the mount will be in the middle of the recessed box (H1, H3: See on pages 15).

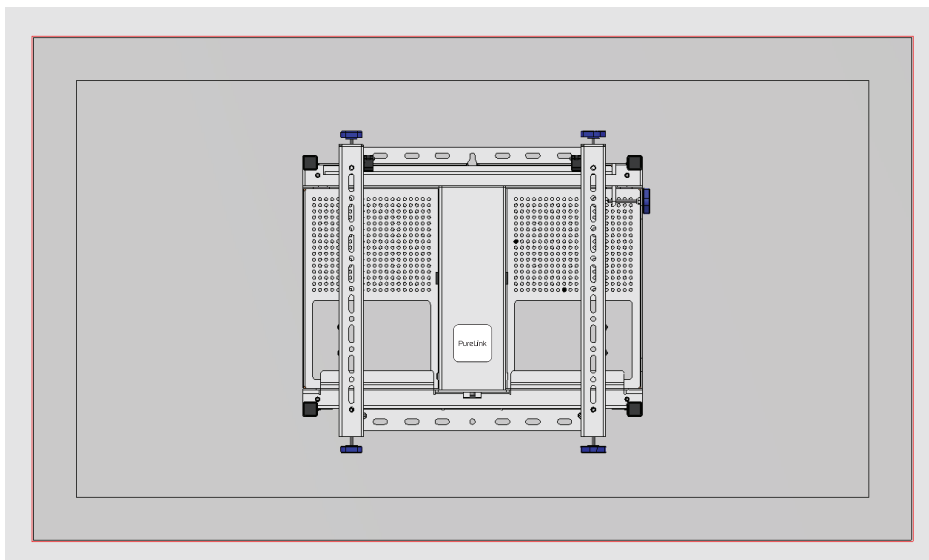
- Calculate and mark the rectangular box for the position of back wall plate by 3 dimensions as bellow A1, A2, B (Size of back wall plate HxW=468.5x380 mm) => Use measuring tape to confirm 3 dimension A1, A2, B are right
- Put the mount on the wall hole and mark the drill holes
- Hang the screen and adjustment to fit with the wall hole (see pages 8-14).



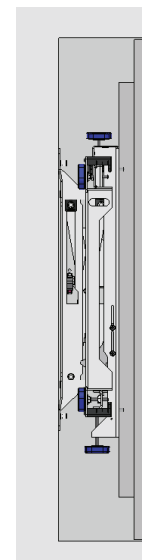
**Note:**

- Use at least 2 wall bolts (3 recommended) at Top and 2 wall bolts bottom of mount. Heavier screen should have 3 bolts at the top
- Measure, mark and drill holes
- Use level to check alignment.
- Use an Electric Wall Scanner to locate the electrical wire if you want to drill a hole in the wall.
- Tighten all wall bolts (6 pcs recommended).

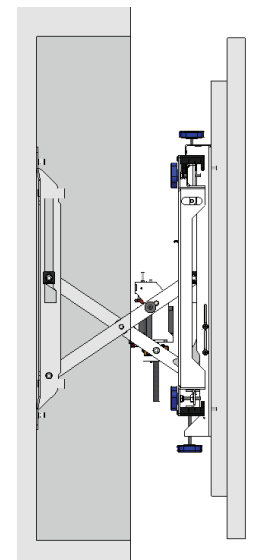
**Note: The picture above show only back wall plate for easy understanding, in fact there will be the whole mount**



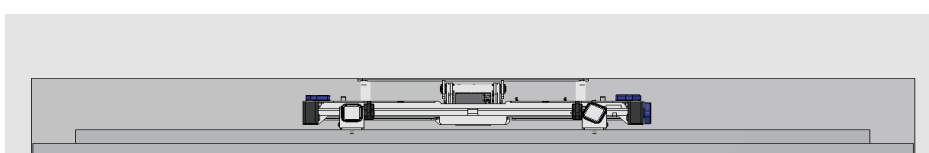
Front



Closed



Opened

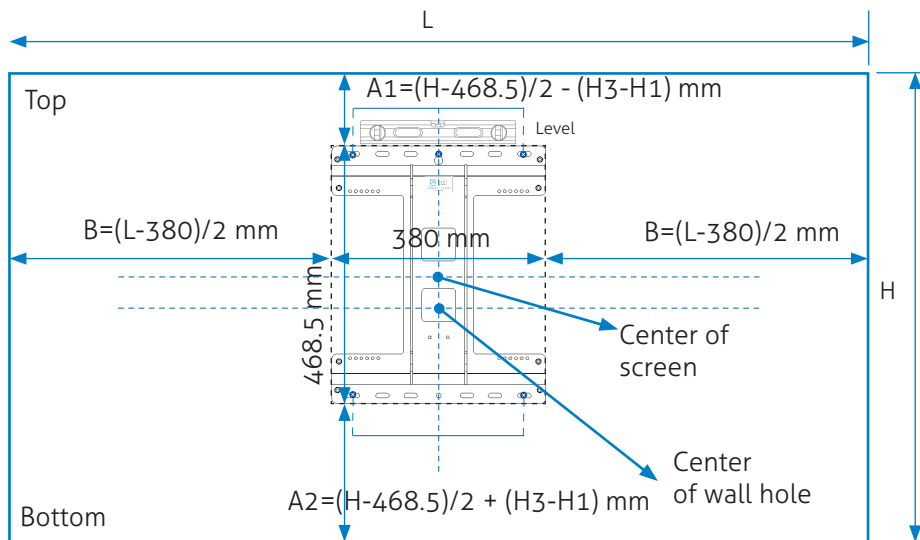


Top



2.2 If  $H_1 < H_3$ , the center of mount will be higher than the center of the recessed box. ( $H_1$ ,  $H_3$ : See on pages 15).

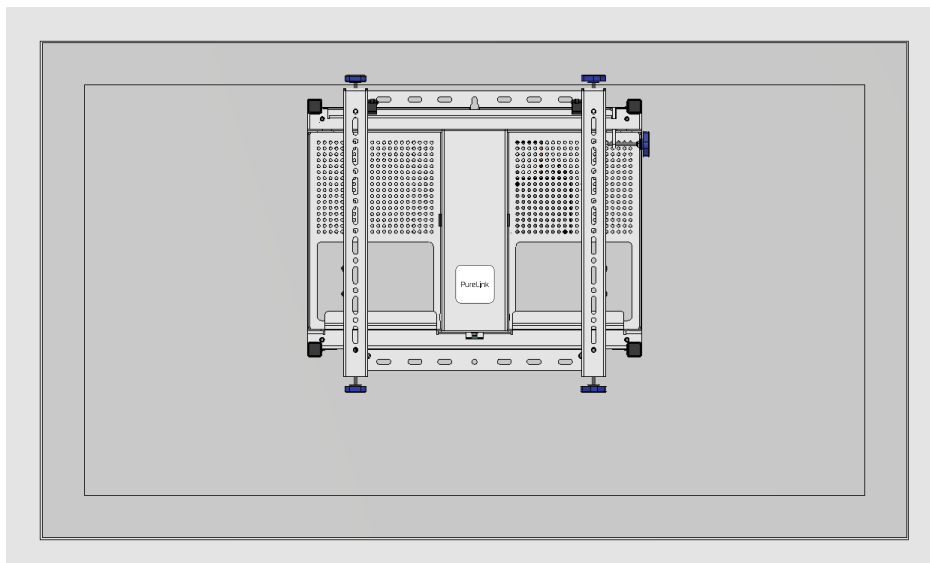
- Calculate and mark the rectangular box for the position of back wall plate by 3 dimensions as bellow  $A_1$ ,  $A_2$ ,  $B$  (Size of back wall plate  $H \times W = 468.5 \times 380$  mm) => Use measuring tape to confirm 3 dimension  $A_1$ ,  $A_2$ ,  $B$  are right
- Put the mount on the wall hole and mark the drill holes
- Hang the screen and adjustment to fit with the wall hole (see pages 8-14).



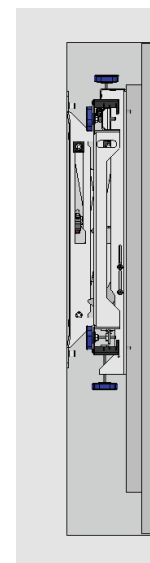
**Note:**

- Use at least 2 wall bolts (3 recommended) at Top and 2 wall bolts bottom of mount. Heavier screen should have 3 bolts at the top
- Measure, mark and drill holes
- Use level to check alignment.
- Use an Electric Wall Scanner to locate the electrical wire if you want to drill a hole in the wall.
- Tighten all wall bolts (6 pcs recommended).

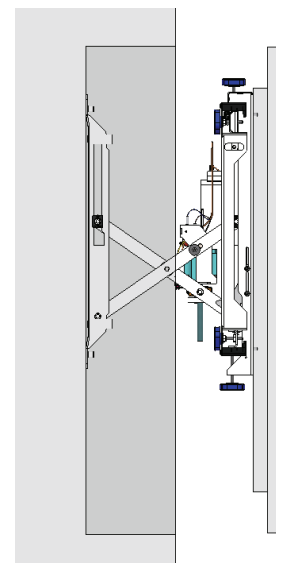
**Note: The picture above show only back wall plate for easy understanding, in fact there will be the whole mount**



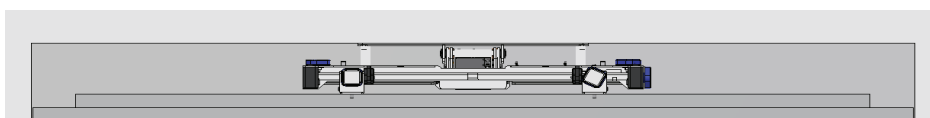
Front



Closed



Opened

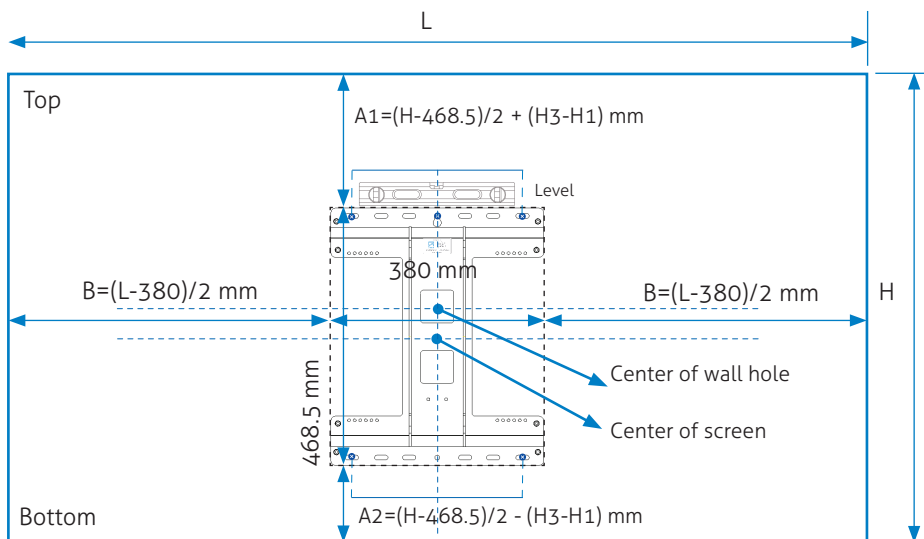


Top



2.3 If  $H1 < H3$ , the center of mount will be lower than the center of the recessed box. ( $H1, H3$ : See on pages 15).

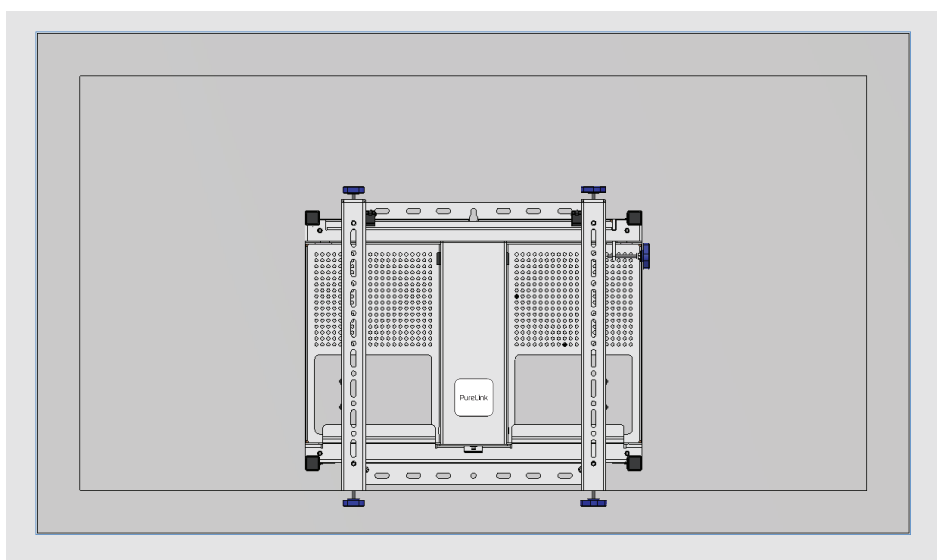
- Calculate and mark the rectangular box for the position of back wall plate by 3 dimensions as bellow  $A1, A2, B$  (Size of back wall plate  $H \times W = 468.5 \times 480$  mm) => Use measuring tape to confirm 3 dimension  $A1, A2, B$  are right
- Put the mount on the wall hole and mark the drill holes
- Hang the screen and adjustment to fit with the wall hole (see pages 8-14).



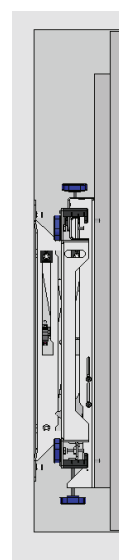
**Note:**

- Use at least 2 wall bolts (3 recommended) at Top and 2 wall bolts bottom of mount. Heavier screen should have 3 bolts at the top
- Measure, mark and drill holes
- Use level to check alignment.
- Use an Electric Wall Scanner to locate the electrical wire if you want to drill a hole in the wall.
- Tighten all wall bolts (6 pcs recommended).

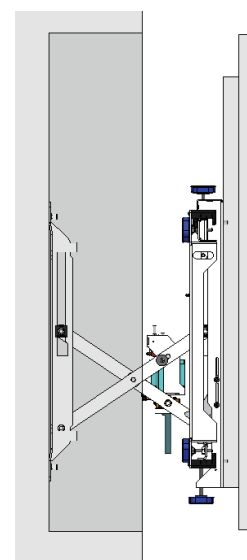
**Note: The picture above show only back wall plate for easy understanding, in fact there will be the whole mount**



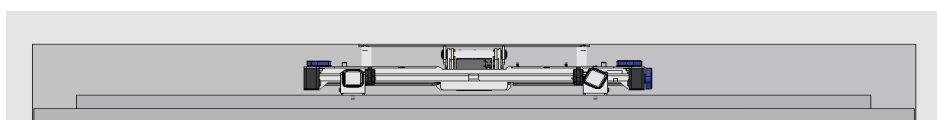
Front



Closed



Opened

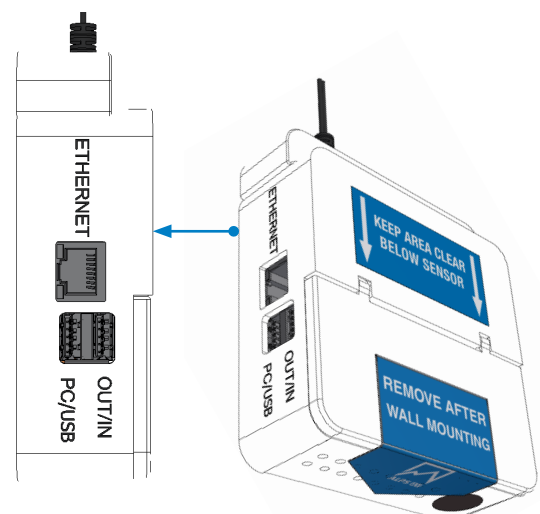
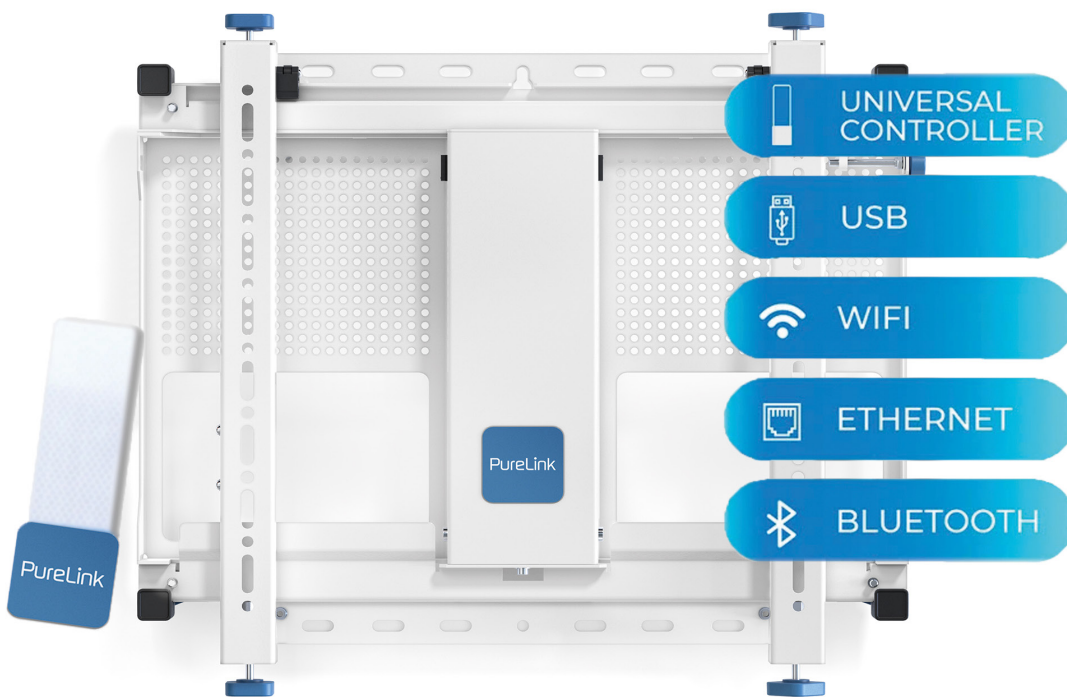


Top

# CONNECTIVITY

There are several different ways to control the mount

1. Universal Controller
2. USB
3. Wifi
4. Ethernet
5. Bluetooth



Control box



## 1. Universal Controller

To see how to control the mount using Universal Controller, go to pages 9-11.

## 2. USB

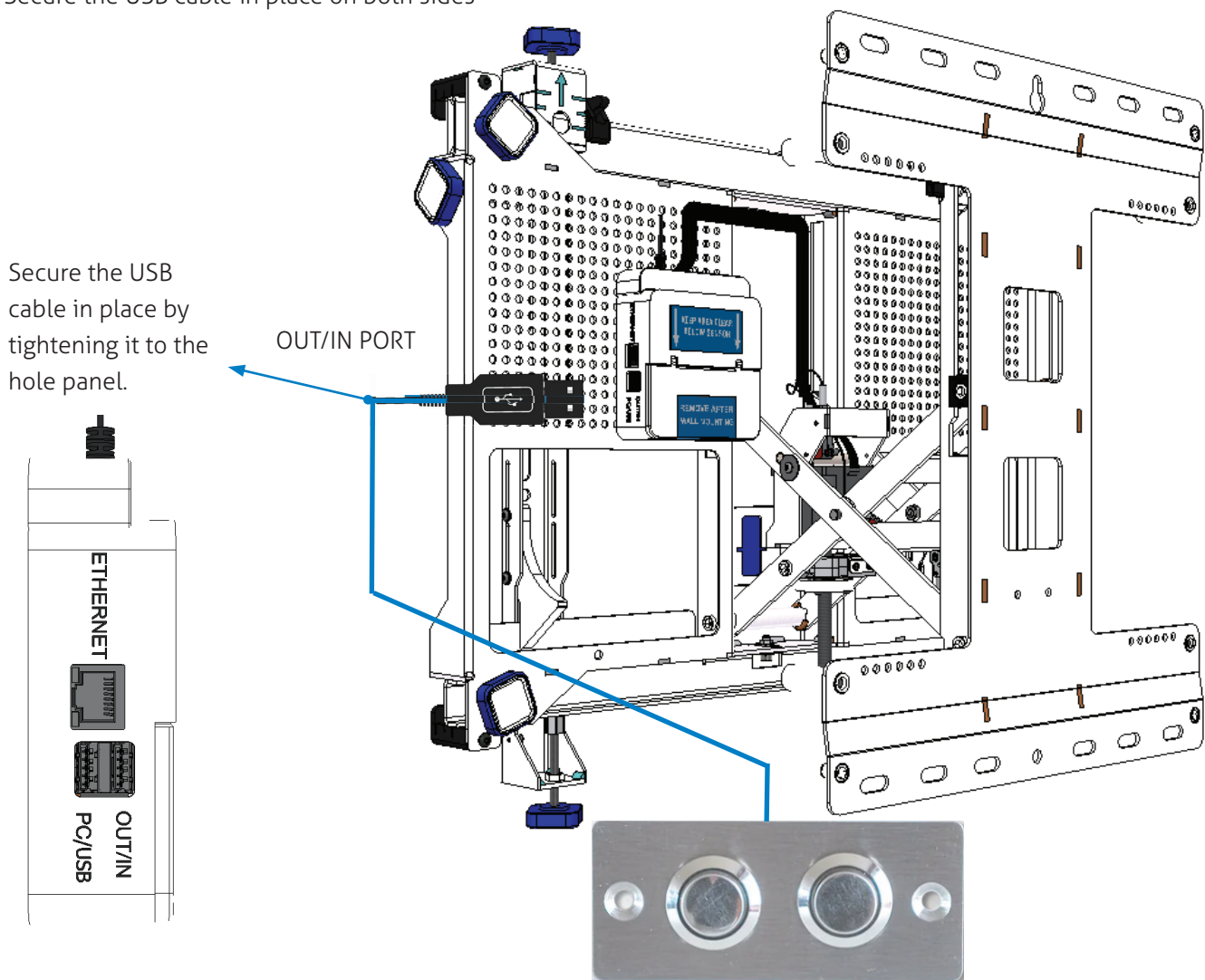
There are 2 ways to control the mount via USB Port (USB button and PC via USB port)

### 2.1 USB Button

- Plug USB connector into the right position (OUT/IN)
- Do cable management by using the hole panel
- Press the button to move the screen out/in

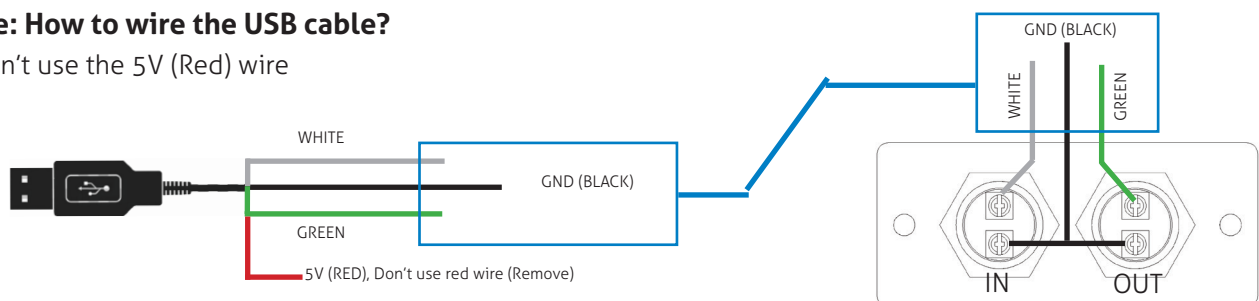
### Important:

- Don't put the cable into the X-arm movement at center.
- Secure the USB cable in place on both sides



### Note: How to wire the USB cable?

- Don't use the 5V (Red) wire

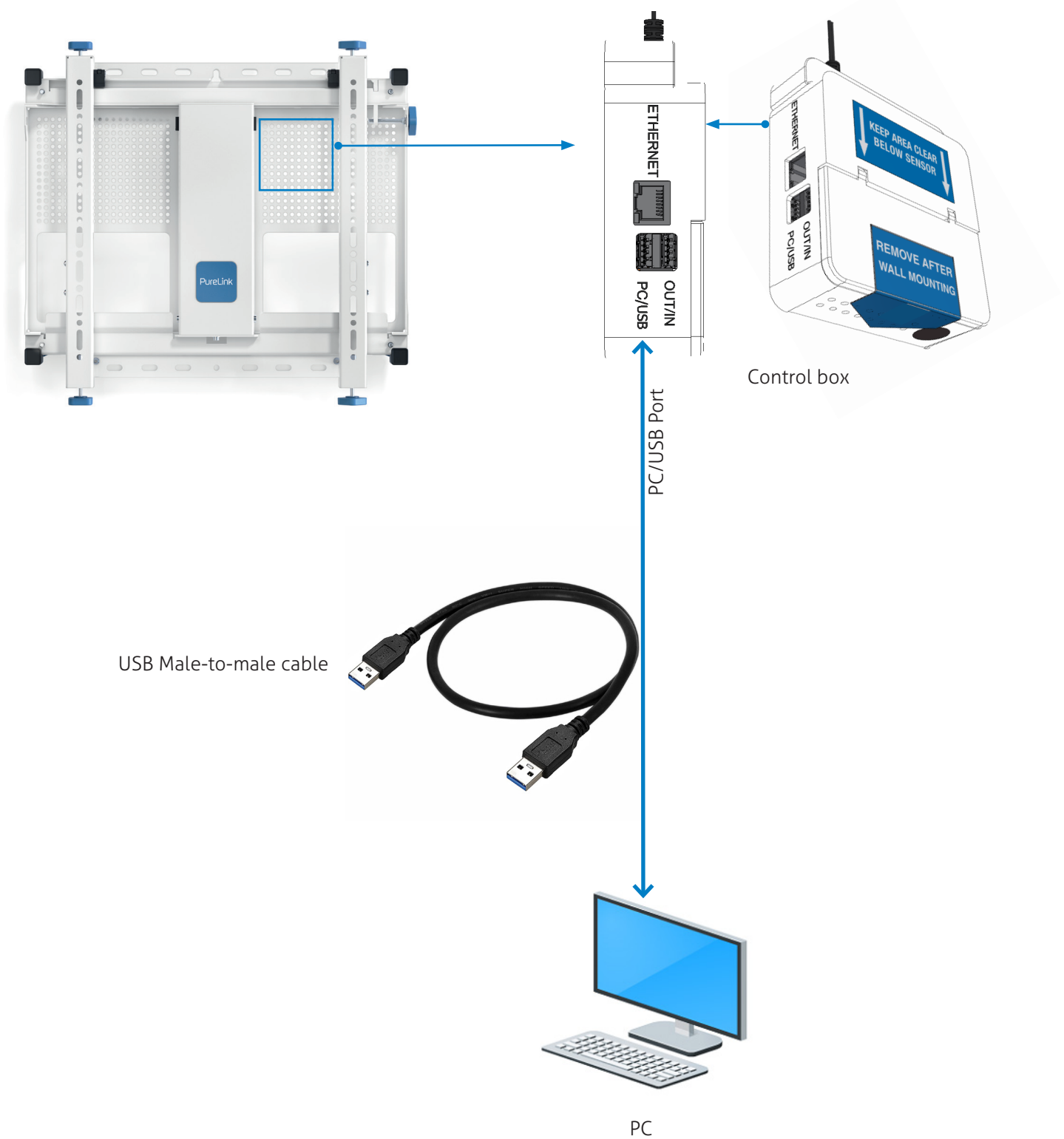


## 2.2 PC via USB Port

- Plug one connector of the USB cable Male to Male to PC/USB port.
- Plug the other connector side to PC

### Important:

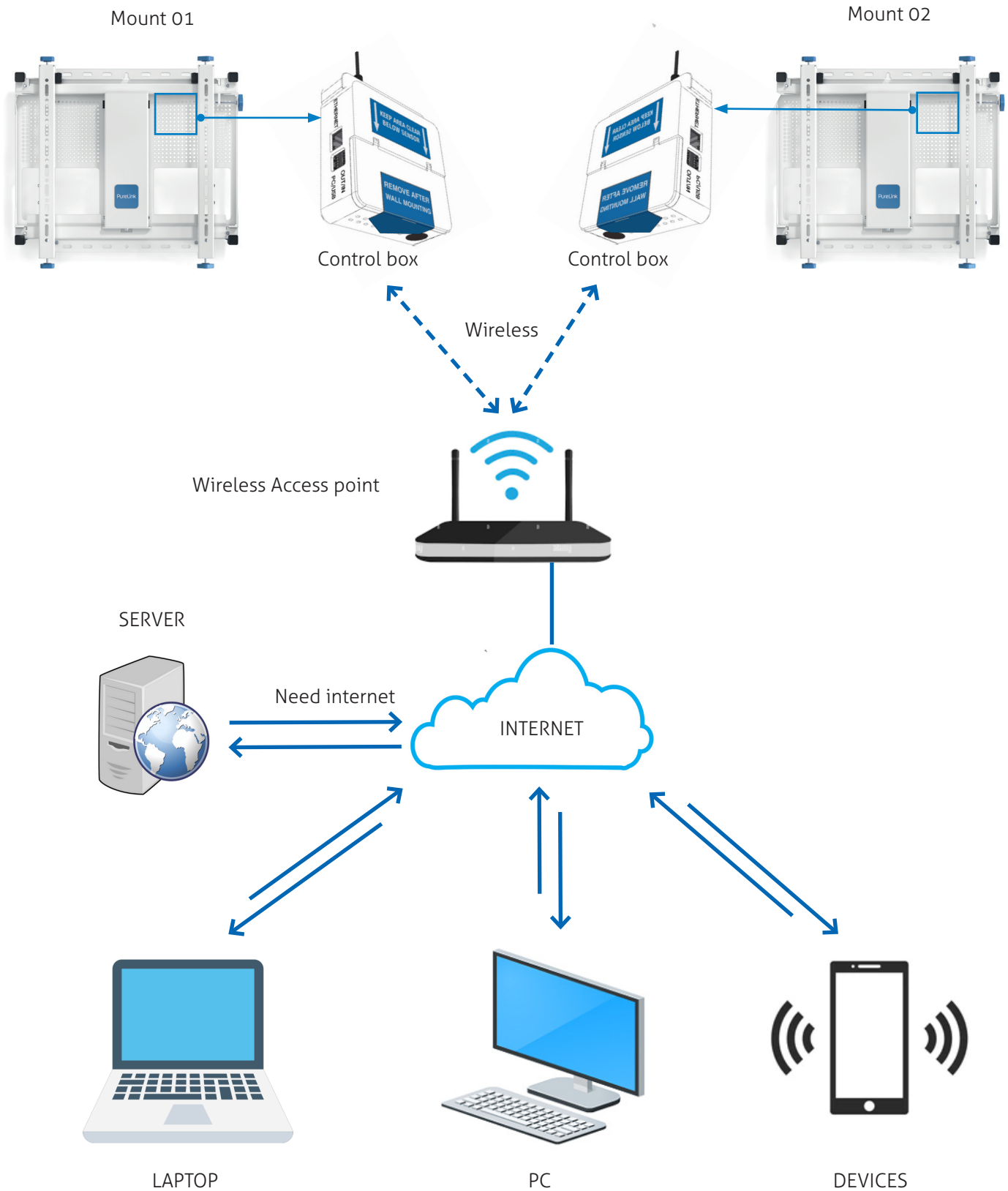
- Don't put the cable into the X-arm movement at center.
- Secure the USB cable in place on both sides



### 3. Wifi

- The Mount connects to the Wireless Access Point via wireless connection.
- Wireless Access Point connects to the Internet Server.
- Laptop, PC or other devices connect to the Internet Server.

**Important: The Wireless Access Point needs to be as near the mount as possible**



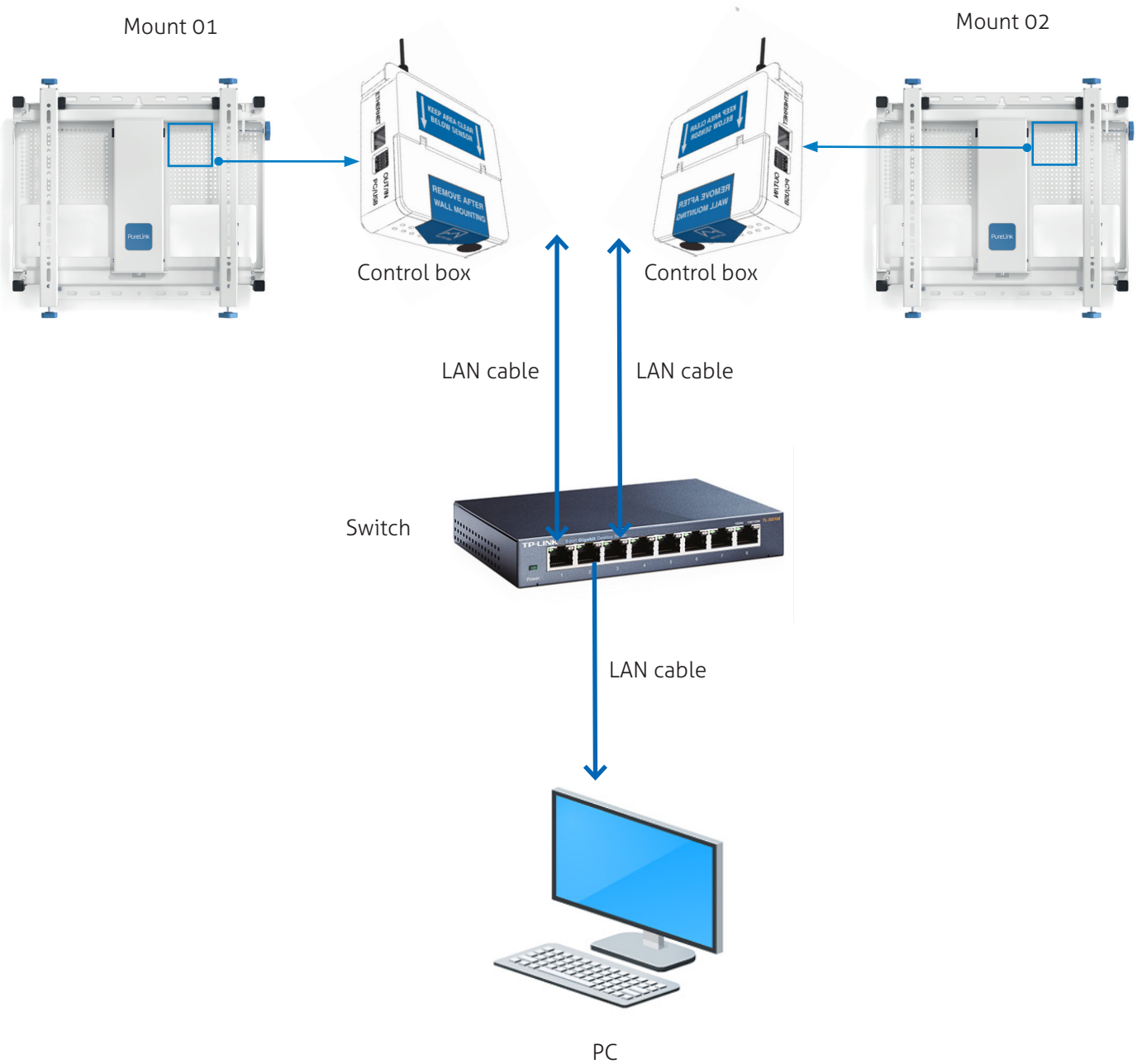
### 3. Ethernet

#### 3.1 Local Network Controller (Without internet)

- The Mount connects to the Switch
- The Switch connects to computers/laptops.

**Note:**

Secure the LAN cable in place by tightening it to the hole panel.





## Disclaimer of Liability

PureLink GmbH will not be held liable, nor provide any warranty for damage resulting from improper installation, assembly and use of the product, or failure to observe the operating instructions and/or safety instructions.

## CONFIRMATION OF CE CONFORMITY



PureLink GmbH hereby declares that the device type WM-NT400 is in conformity with the Directives 2014/30/EU, 2019/1782/EU, 2011/65/EU and 2015/863/EU.



WEEE-Reg. No.: DE 93 847 290

According to the European WEEE Directive, electrical and electronic equipment may not be disposed of with household waste. As a consumer, you are obliged to return electrical and electronic equipment free of charge at the end of its service life to the public collection points set up for this purpose or to the point of sale. Details on this are regulated by the respective national law. The symbol on the product, the instructions for use or the packaging refers to these regulations. Recycling old appliances in this way is an important contribution to the protection of our environment.

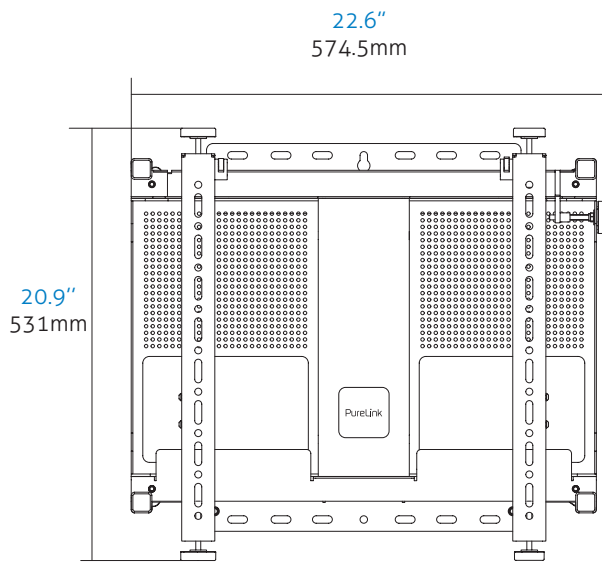


## Self help guide

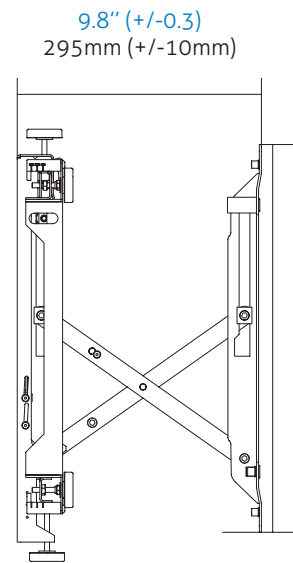
Issues	Solutions
Motor Starts then stops	<p>Controller not remaining in correct location - if the Controller is on the edge of the light beam, as the controller moves forward and backward with the moving mount, it can move out of the beam and stop. Move the controller left and right to check the beam location. Also note, the beam moves forwards and backwards with the mount, so move controller as the screen moves.</p> <p><b>OR:</b> Impact Detection is triggering. Impact detection exists but is variable depending on several factors including screen weight and size, where the impact occurs and if there is vibration. The motor will stop and when you place the controller back into the beam it will have reversed direction.</p>
Motor moves slowly	<p>When first started and if not run for some time the motor might automatically calibrate its location. This is normal and once it has gone through a full cycle it will resume normal operation.</p>
Motor does not start	<p>Check there is POWER. It is common to switch off or unplug power once set-up is finished, so check power is on. Check controller is in beam and move out of beam and back into beam.</p>
Handwheels are hard to turn	<p>Are handwheels at base of screen arms loosened? If you are reaching the end of the range this will also occur. Make adjustments elsewhere to free up additional adjustment range.</p>
Contact Us	<p>PureLink GmbH          Von-Liebig-Str. 10   48432 Rheine          Germany  <a href="http://www.purelink.de">www.purelink.de</a>   <a href="mailto:info@purelink.de">info@purelink.de</a>          PureLink UK LTD.          Carpenter Court   1 Maple Road   Bramhall          Stockport   Cheshire SK7 2DH          United Kingdom</p>



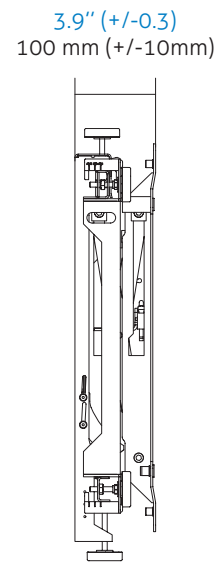
# PRODUCT DIMENSIONS



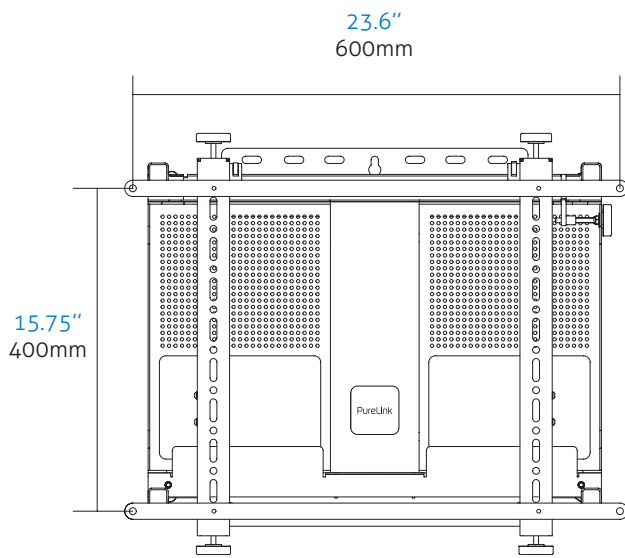
FRONT



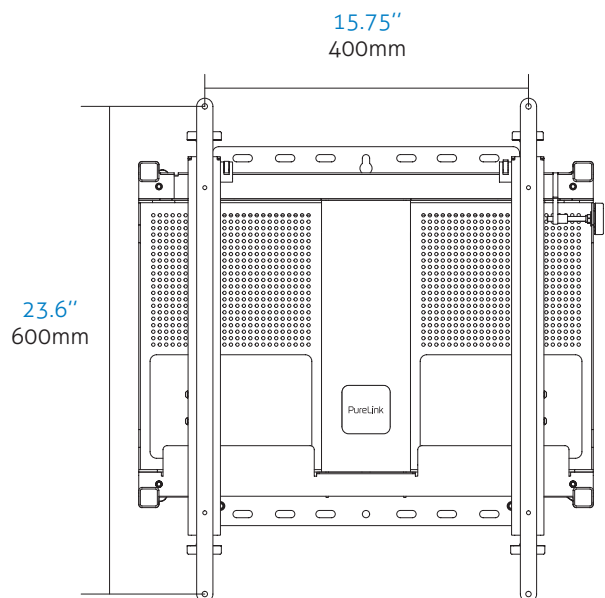
SIDE VIEW OPEN



SIDE VIEW CLOSED



FRONT VIEW LANDSCAPE ADAPTOR  
VESA 600mm X 400mm



FRONT VIEW PORTRAIT ADAPTOR  
VESA 400mm X 600mm



# PureLink

## **PureLink GmbH**

Von-Liebig-Str. 10  
D - 48432 Rheine  
Germany

+49 (0)5971 800 299-0

[www.PureLink.de](http://www.PureLink.de)

## **PureLink UK LTD.**

Carpenter Court  
1 Maple Road  
Bramhall, Stockport  
Cheshire SK7 2DH

United Kingdom

All information without responsibility for errors in photography and typography. Specifications are subject to change without notice.

© 2023 PureLink GmbH®. All rights reserved.  
All mentioned trademarks (product names, logos) and brand names are the property of their respective owners.

