

SUA761PU



Display size
37"- 65"



Max load
80lb (36kg)



DesignerSeries™ Universal Ultra Slim Articulating Wall Mount

FOR 37" TO 65" ULTRA-THIN DISPLAYS*

One of the thinnest wall arm mounts on the market, the Peerless-AV® DesignerSeries™ Universal Ultra Slim Articulating Wall Mount is designed exclusively for ultra-thin displays. The SUA761PU is built to hold medium to larger displays firmly in any position – landscape or portrait – while still offering an ultra-low profile. An innovative I-shaped adaptor plate makes it easy to access the back of the display, keeping hardware hidden, and features internal cable management, providing a clean, professional look that transitions smoothly from the wall to the display. With a gloss black finish, the SUA761PU matches any décor.

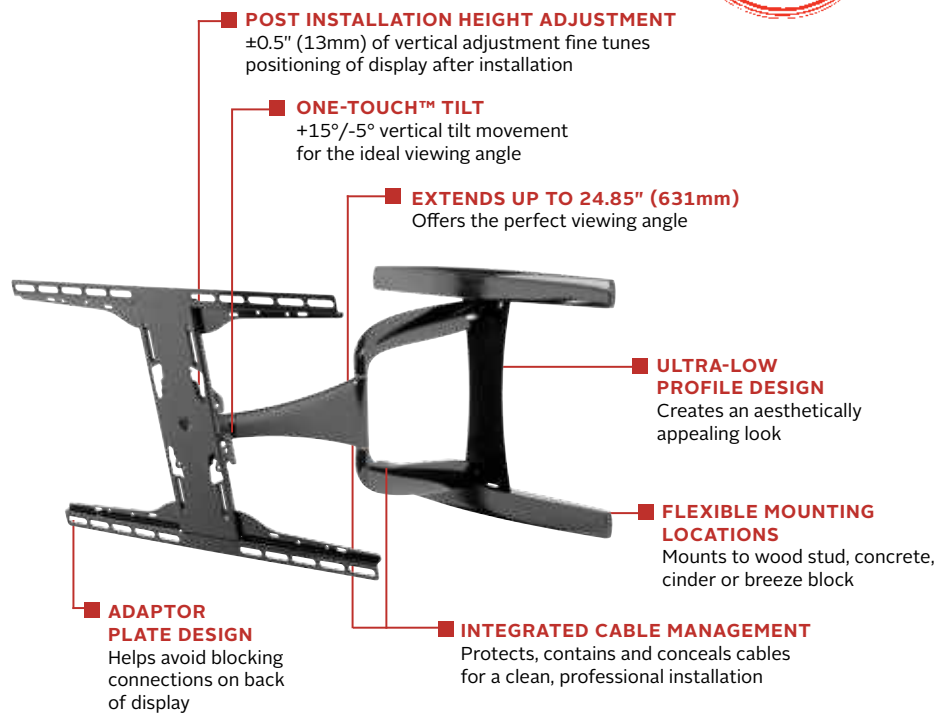
Full-motion capabilities allow you to swivel, tilt, extend or retract your display for the perfect viewing angle.



Additional Features

- ✓ Arm retracts to 1.85" (47mm) and extends up to 24.85" (631mm) from wall
- ✓ One-Touch™ tilt mechanism allows adjustment of +15°/-5° without the use of tools
- ✓ Up to ±90° of side-to-side swivel
- ✓ Added ±5° of roll for post-installation display leveling without the use of tools
- ✓ Up to ±0.5" (13mm) of vertical adjustment for post-installation leveling and height adjustment fine-tuning
- ✓ Internal cable management provides clean, professional installation finish
- ✓ Universal mount fits displays with mounting patterns 200 x 100 to 600 x 400mm
- ✓ Landscape or portrait mounting options increases display versatility
- ✓ The I-Shaped Adaptor plate's innovative design helps avoid blocking connections on back of display

* Designed for use with displays that are less than 3" (76mm) deep



Swivel, tilt, extend or retract the display for the perfect viewing angle



Integrated cable management keeps cords and cables out of the way



Comes in color packaging with included installation hardware and easy to follow instructions.



Please visit peerless-av.com/en-us/patents for patent information.

info@peerless-av.com
peerless-av.com

peerless-AV®

SUA761PU

DesignerSeries™ Universal Ultra Slim Articulating Wall Mount for 37" to 65" Ultra-Thin Displays*

* Designed for use with displays that are less than 3" (76mm) deep

Product Specifications

	DIMENSIONS (W x H x D)	PRODUCT WEIGHT	LOAD CAPACITY	FINISH	AVAILABLE COLORS
SUA761PU	24.37" x 16.94" x 1.85"-24.85" (619 x 430 x 47-631mm)	16.90lb (7.67kg)	80lb (36kg)	Scratch resistant fused epoxy	Gloss black

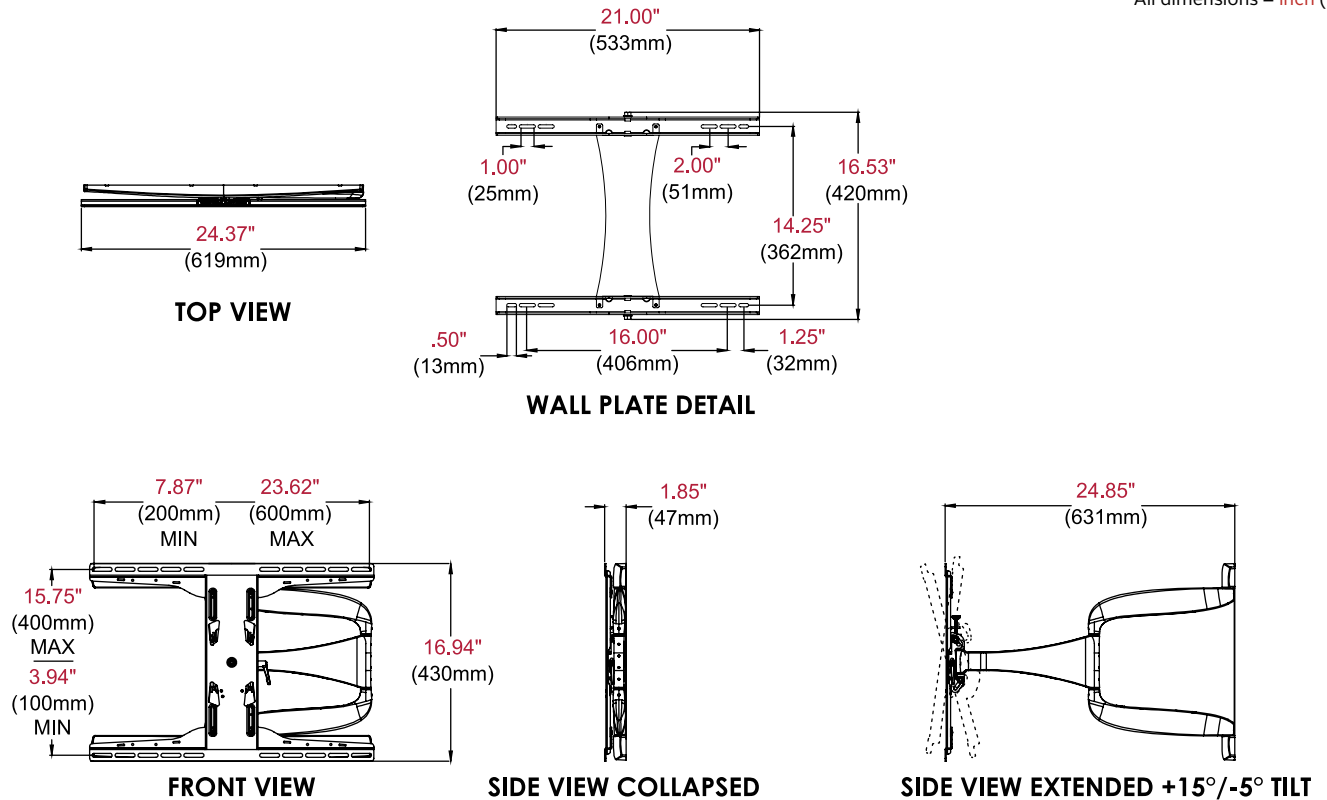
Package Specifications

	PACKAGE SIZE (W x H x D)	PACKAGE SHIP WEIGHT	PACKAGE UPC CODE	PACKAGE CONTENTS	UNITS IN PACKAGE
SUA761PU	41.00" x 4.00" x 23.75" 1041 x 102 x 603mm	23.0lb (10.4kg)	735029306399	Wall mount, wall and display installation hardware, installation instructions	1

Accessories

- ACC925: Security Fasteners
- IBA2(AC)(-W), IBA3(AC)(-W): Recessed Cable Management and Power Storage Accessory Box
- IBA4-W: Easy Mount Recessed Low Voltage Cable Plate
- IBA5-W: Recessed Low Voltage Media Plate with Duplex Surge Suppressor
- ESHV models: AV Wall Shelves
- WSP756: Metal Stud Wall Plate

All dimensions = inch (mm)



Architect Specifications

The DesignerSeries™ Universal Ultra Slim Articulating Wall Mount shall be a Peerless-AV model SUA761PU and shall be located where indicated on the plans. Assembly and installation shall be done according to instructions provided by the manufacturer.

Visit peerless-av.com to see the complete line of AV solutions from Peerless-AV, including outdoor displays, wireless, kiosks, digital audio, display mounts, projector mounts, carts/stands, and a full assortment of accessories.

Peerless-AV
2300 White Oak Circle
Aurora, IL 60502 USA

(800) 865-2112
(630) 375-5100
Fax: (800) 359-6500

Peerless-AV Europe
Unit 3 Watford Interchange
Colonial Way, Watford
Herts, WD24 4WP
United Kingdom
+44 (0) 1923 200100
Fax: +44 (0) 1923 200101

Peerless-AV de México
Ave de las Industrias 413
Parque Industrial Escobedo
Escobedo, N.L.,
Mexico 66050
+52 (81) 8384-8300
Fax: +52 (81) 8384-8360

