

SUA740P



Display size  
**32"- 40"**



Max load  
**60lb (27kg)**

# DesignerSeries™ Ultra Slim Articulating Wall Mount

FOR 32" TO 40" ULTRA-THIN DISPLAYS\*

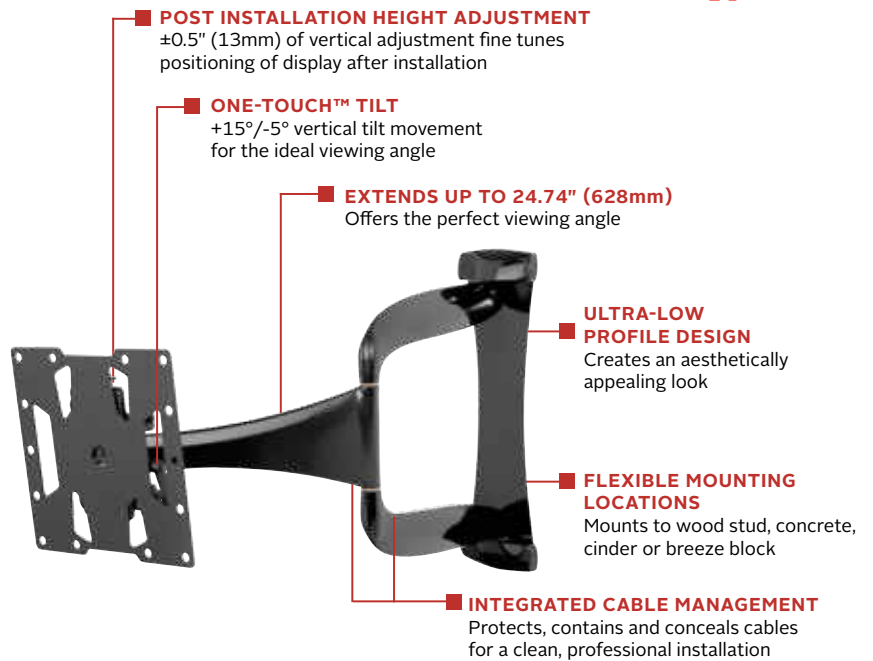
One of the thinnest wall arm mounts on the market, the Peerless-AV® DesignerSeries™ Ultra Slim Articulating Wall Mount is designed exclusively for ultra-thin displays. The SUA740P's One-Touch™ tilt mechanism provides effortless movement of the display for the perfect viewing experience, and vertical adjustment allows the display to be raised or lowered by ½" after installation to fine-tune the positioning. With a gloss black finish and internal cable management, the SUA740P provides a clean, professional look that matches any décor.

*Full-motion capabilities allow you to swivel, tilt, extend or retract your display for the perfect viewing angle.*



## Additional Features

- ✓ Arm retracts to 1.74" (44mm) and extends up to 24.74" (628mm) from wall
- ✓ One-Touch™ tilt mechanism allows adjustment of +15°/-5° without the use of tools
- ✓ Up to ±90° of side-to-side swivel
- ✓ Added ±5° of roll for post-installation display leveling without the use of tools
- ✓ Up to ±0.5" (13mm) of vertical adjustment for post-installation leveling and height adjustment fine-tuning
- ✓ Internal cable management provides clean, professional installation finish
- ✓ Fits displays with VESA® mounting patterns 200 x 100 and 200 x 200mm



\* Designed for use with displays that are less than 3" (76mm) deep



Swivel, tilt, extend or retract the display for the perfect viewing angle



Integrated cable management keeps cords and cables out of the way



Comes in color packaging with included installation hardware and easy to follow instructions.



Please visit [peerless-av.com/en-us/patents](http://peerless-av.com/en-us/patents) for patent information.

info@peerless-av.com  
peerless-av.com

peerless-AV®

<b>SUA740P</b>	DesignerSeries™ Ultra Slim Articulating Wall Mount for 32" to 40" Ultra-Thin Displays*	* Designed for use with displays that are less than 3" (76mm) deep
----------------	--	--

**Product Specifications**

	DIMENSIONS (W x H x D)	PRODUCT WEIGHT	LOAD CAPACITY	FINISH	AVAILABLE COLORS
<b>SUA740P</b>	16.38" x 16.14" x 1.74"-24.74" (416 x 410 x 44-628mm)	10.10lb (4.58kg)	60lb (27kg)	Scratch resistant fused epoxy	Gloss black

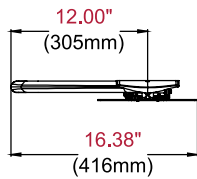
**Package Specifications**

	PACKAGE SIZE (W x H x D)	PACKAGE SHIP WEIGHT	PACKAGE UPC CODE	PACKAGE CONTENTS	UNITS IN PACKAGE
<b>SUA740P</b>	21.25" x 3.25" x 19.50" (540 x 86 x 495mm)	13.25lb (6.01kg)	735029306375	Wall mount, wall and display installation hardware, installation instructions	1

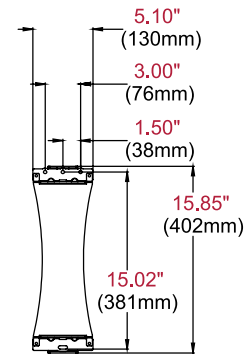
**Accessories**

- ACC919:** Security Fasteners
- IBA2(AC)(-W), IBA3(AC)(-W):** Recessed Cable Management and Power Storage Accessory Box
- IBA4-W:** Easy Mount Recessed Low Voltage Cable Plate
- IBA5-W:** Recessed Low Voltage Media Plate with Duplex Surge Suppressor
- ESHV models:** AV Wall Shelves
- WSP756:** Metal Stud Wall Plate

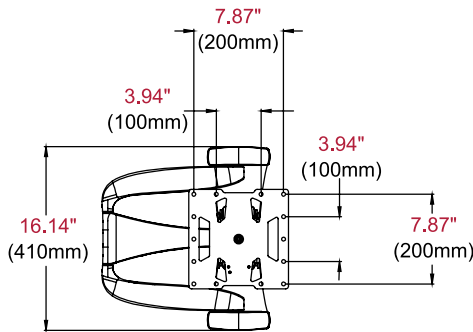
All dimensions = inch (mm)



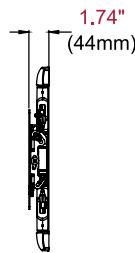
**TOP VIEW**



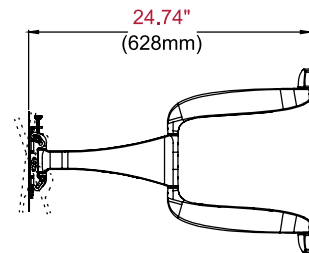
**WALL PLATE DETAIL**



**FRONT VIEW**



**SIDE VIEW COLLAPSED**



**SIDE VIEW EXTENDED  
+15°/-5° TILT**

**Architect Specifications**

The DesignerSeries™ Ultra Slim Articulating Wall Mount shall be a Peerless-AV model SUA740P and shall be located where indicated on the plans. Assembly and installation shall be done according to instructions provided by the manufacturer.

Visit [peerless-av.com](http://peerless-av.com) to see the complete line of AV solutions from Peerless-AV, including outdoor displays, wireless, kiosks, digital audio, display mounts, projector mounts, carts/stands, and a full assortment of accessories.

**Peerless-AV**  
2300 White Oak Circle  
Aurora, IL 60502 USA  
  
**(800) 865-2112**  
**(630) 375-5100**  
**Fax: (800) 359-6500**

**Peerless-AV Europe**  
Unit 3 Watford Interchange  
Colonial Way, Watford  
Herts, WD24 4WP  
United Kingdom  
**+44 (0) 1923 200100**  
**Fax: +44 (0) 1923 200101**

**Peerless-AV de México**  
Ave de las Industrias 413  
Parque Industrial Escobedo  
Escobedo, N.L.,  
Mexico 66050  
**+52 (81) 8384-8300**  
**Fax: +52 (81) 8384-8360**

