

SF640(P)



Display size  
**32"- 50"**



Max load  
**150lb (68kg)**

**SMARTMOUNT.**

# Universal Flat Wall Mount

FOR 32" TO 50" DISPLAYS

The SmartMount® Universal Flat Wall Mount series offers the most versatile installation features and mounting options. Horizontal and vertical adjustment abilities allow for post installation leveling and side-to-side positioning, making it easier than ever to find the perfect TV position. The SF640(P) models' low-profile design offers the sleek, aesthetically pleasing look to fit into any décor. Security screws provided in the SF640 models deter tampering and theft. The open wall plate design offers total wall access, increasing the electrical and cable management options. The display can now simply be installed by a single person with the Hook-and-Hang™ system. The Easy-Glide™ adaptors hook onto the wall plate for an overall quick, simple, and secure installation.

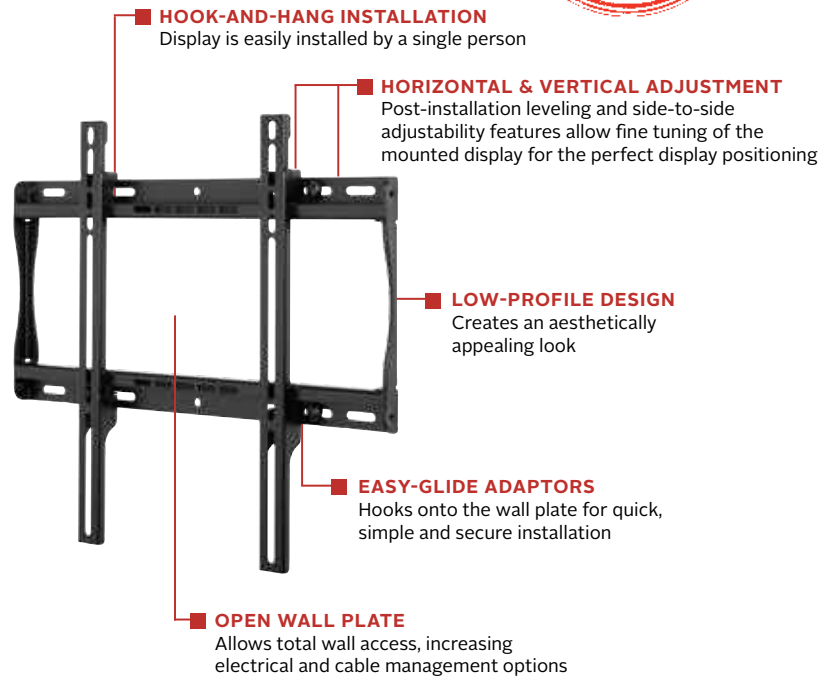
*The SF640's design positions the display just 1.20" from the wall, perfect for almost any low-profile application.*



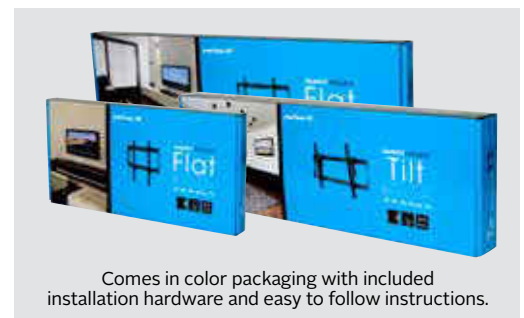
## Additional Features

- ✓ Universal mount fits displays with mounting patterns up to 450 x 405mm (17.72" W x 15.95" H)
- ✓ Low-profile design holds display only 1.20" (30mm)
- ✓ Up to 0.25" (6mm) of vertical adjustment on each universal display adaptor bracket for post-installation leveling and height adjustment fine-tuning
- ✓ Horizontal display adjustment up to 6.00" (152mm) for centering display on wall
- ✓ Landscape to portrait mounting options increases installation versatility. Please check display dimensions against the wall plate when used in portrait mode\*
- ✓ Mounts to wood studs, concrete, cinder block or metal studs (metal stud accessory required)
- ✓ Includes all necessary wall and display attachment hardware
- ✓ Integrated security options available
- ✓ Design is UL listed and tested to four times stated load capacity

\* Requires display to be removed and reset on mount



Low-profile design for a sleek, yet compact installation



Please visit [peerless-av.com/en-us/patents](http://peerless-av.com/en-us/patents) for patent information.

info@peerless-av.com  
peerless-av.com

**peerless-AV®**

<b>SF640P</b>	SmartMount® Universal Flat Wall Mount for 32" to 50" Displays - standard models
<b>SF640</b>	SmartMount® Universal Flat Wall Mount for 32" to 50" Displays - security models

**Product Specifications**

	DIMENSIONS (W x H x D)	PRODUCT WEIGHT	LOAD CAPACITY	FINISH	AVAILABLE COLORS
<b>SF640(P)</b>	19.37" x 16.89" x 1.20" (492 x 429 x 30mm)	3.95lb (1.80kg)	150lb (68kg)	Scratch resistant fused epoxy	Semi-gloss black

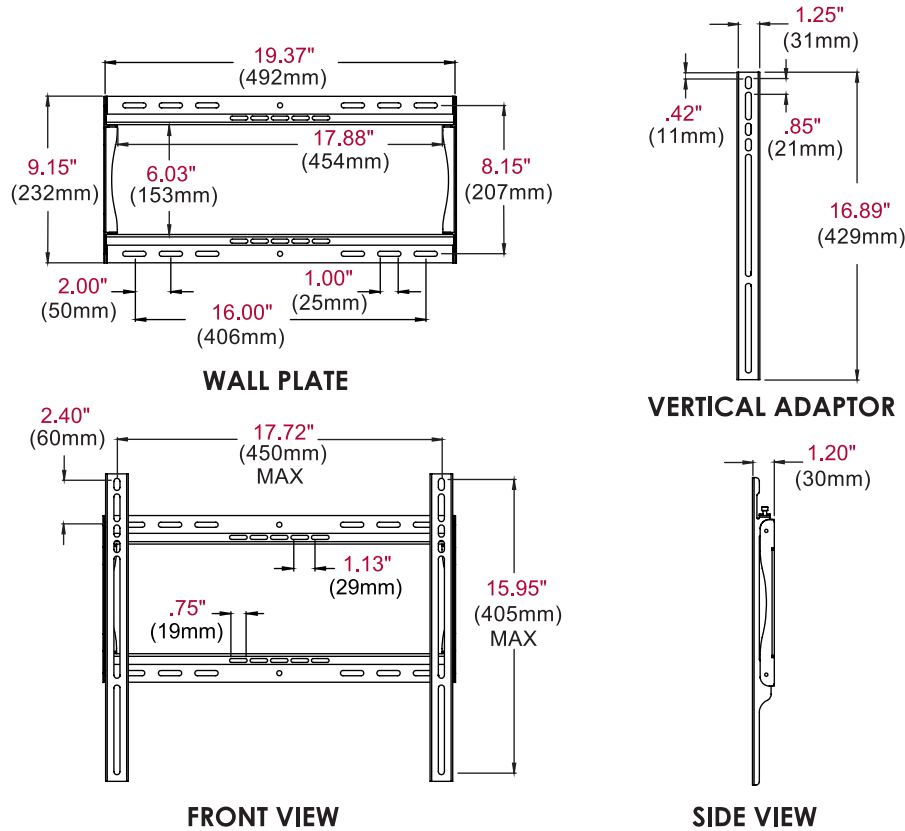
**Package Specifications**

	PACKAGE SIZE (W x H x D)	PACKAGE SHIP WEIGHT	PACKAGE UPC CODE	PACKAGE CONTENTS	UNITS IN PACKAGE
<b>SF640(P)</b>	21.69" x 1.57" x 10.71" (551 x 40 x 272mm)	5.40lb (2.45kg)	SF640: 735029235651 SF640P: 735029235675	Wall mount, wall and display installation hardware, installation instructions	1

**Accessories**

**ACC415:** Metal Stud Fastener Kit

All dimensions = inch (mm)



**Architect Specifications**

The Smartmount® Universal Flat Wall Mount shall be a Peerless-AV model SF640(P) and shall be located where indicated on the plans. Assembly and installation shall be done according to instructions provided by the manufacturer.

Visit [peerless-av.com](http://peerless-av.com) to see the complete line of AV solutions from Peerless-AV, including outdoor displays, wireless, kiosks, digital audio, display mounts, projector mounts, carts/stands, and a full assortment of accessories.

**Peerless-AV**  
2300 White Oak Circle  
Aurora, IL 60502 USA  
**(800) 865-2112**  
**(630) 375-5100**  
**Fax: (800) 359-6500**

**Peerless-AV Europe**  
Unit 3 Watford Interchange  
Colonial Way, Watford  
Herts, WD24 4WP  
United Kingdom  
**+44 (0) 1923 200100**  
**Fax: +44 (0) 1923 200101**

**Peerless-AV de México**  
Ave de las Industrias 413  
Parque Industrial Escobedo  
Escobedo, N.L.,  
Mexico 66050  
**+52 (81) 8384-8300**  
**Fax: +52 (81) 8384-8360**

