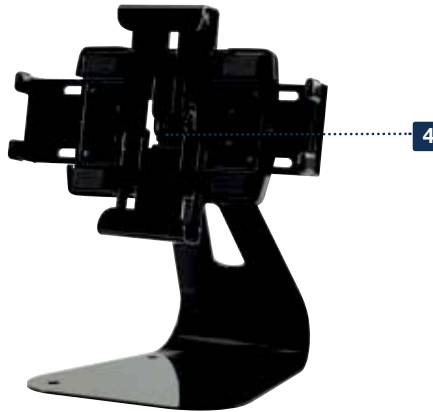


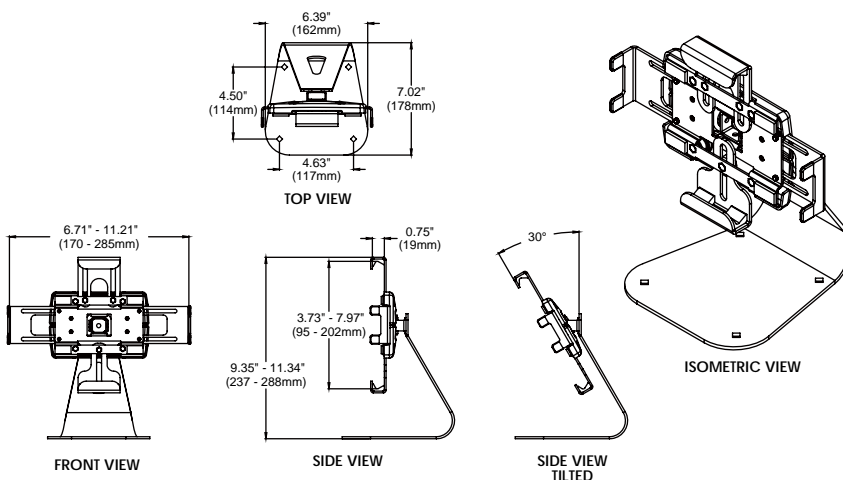
Universal Desktop Tablet Mount

- Adjustable height and width, providing a universal fit for most tablets
- Stylish cover for improved aesthetics
- $\pm 30^\circ$ of One-Touch™ tilt and swivel
- 360° of roll for versatile placement options
- Option to place on desk or secure down with theft resistant security screws
- Variety of colors available for coordinating with tablet aesthetics



For expanded product information and technical data visit www.peerless-av.com

TECHNICAL DRAWINGS



FLAT PANEL MOUNTS

MODELS

Universal Models:

Includes theft resistant hardware for attaching tablet to mount




PTM400S*	Black
PTM400S-W*	White
PTM400S-S*	Silver

Includes standard hardware (hex or Phillips) for attaching tablet to mount

PTM400*	Black
PTM400-W*	White
PTM400-S*	Silver

* Designed for use with tablets that are less than 0.75" (19mm) deep

SPECIFICATIONS

	Tilt Swivel Roll	$\pm 30^\circ$ $\pm 30^\circ$ $\pm 360^\circ$
	Max load	5lb (2.27kg)
	Landscape to portrait	Tablet can be rotated portrait/ landscape without removing the tablet
Product Dimensions	(W x H x D)	6.71"-11.21" x 9.35"-11.34" x 7.02" (170-285 x 237-288 x 178mm)
Mounting Surfaces		Desktop

CERTIFICATIONS

RoHS
REACH

ACCESSORIES



ACC954:
Theft Resistant Security Kit pg# 195