

PT632	Paramount™ Tilting Wall Mount for 22" to 40" Displays
--------------	---

Product Specifications

	DIMENSIONS (W x H x D)	PRODUCT WEIGHT	LOAD CAPACITY	FINISH	AVAILABLE COLORS
PT632	8.74" x 8.74" x 2.01"-3.78" (222 x 222 x 51-96mm)	1.75lb (0.80kg)	80lb (36kg)	Scratch resistant fused epoxy	Gloss black

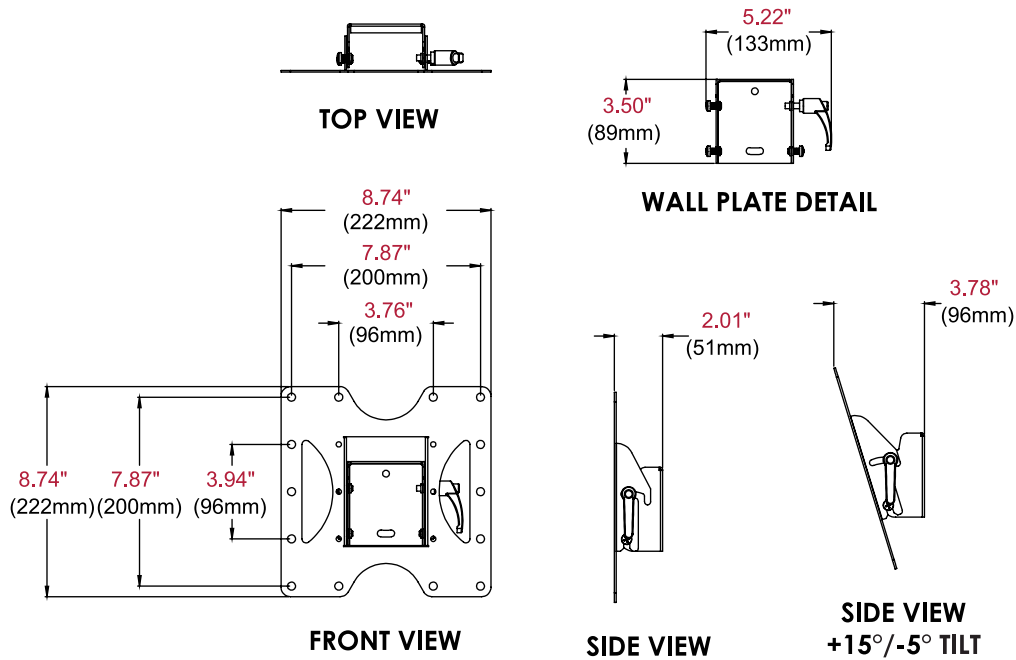
Package Specifications

	PACKAGE SIZE (W x H x D)	PACKAGE SHIP WEIGHT	PACKAGE UPC CODE	PACKAGE CONTENTS	UNITS IN PACKAGE
PT632	9.65" x 2.95" x 10.79" (245 x 75 x 274mm)	3.00lb (1.36kg)	735029255888	Wall mount, wall and display installation hardware, installation instructions	1

Accessories

ACC215: Metal Stud Fastener Kit

All dimensions = inch (mm)



Architect Specifications

The Paramount™ Tilting Wall Mount shall be a Peerless-AV model PT632 and shall be located where indicated on the plans. Assembly and installation shall be done according to instructions provided by the manufacturer.

Visit peerless-av.com to see the complete line of AV solutions from Peerless-AV, including outdoor displays, wireless, kiosks, digital audio, display mounts, projector mounts, carts/stands, and a full assortment of accessories.

Peerless-AV
 2300 White Oak Circle
 Aurora, IL 60502 USA
(800) 865-2112
(630) 375-5100
Fax: (800) 359-6500

Peerless-AV Europe
 Unit 3 Watford Interchange
 Colonial Way, Watford
 Herts, WD24 4WP
 United Kingdom
+44 (0) 1923 200100
Fax: +44 (0) 1923 200101

Peerless-AV de México
 Ave de las Industrias 413
 Parque Industrial Escobedo
 Escobedo, N.L.,
 Mexico 66050
+52 (81) 8384-8300
Fax: +52 (81) 8384-8360

