

peerless-AV<sup>®</sup>



Ultra Stretch

Signage Solutions

# For the Ultra Stretch Signage Displays

Optimise your dynamic digital content with Peerless-AV's exclusive solutions for the LG Ultra Stretch Signage 86BH5C display. The stylish portrait totem kiosk models, for single to quad displays, accentuate the sleek look of the one-of-a-kind Ultra Stretch display with its slim profile and curved design. The wall mount solution can be installed in both portrait and landscape orientations for the ultimate versatility. Ideal for a wide array of applications, including transportation terminals, retail stores, commercial offices and visitor attractions the Portrait Kiosk and the low-profile wall mount are the ultimate digital signage solutions.



## Wall Mount - Landscape/Portrait

- Versatile flat-to-wall solution can be mounted in either Landscape or Portrait orientation
- Low profile design mounts display just 24.5mm (0.96") from the wall for a discreet installation
- Easy hang wall plate saves time and reduces cost
- Display adaptor plate simply hooks onto the wall plate for a quick and easy installation

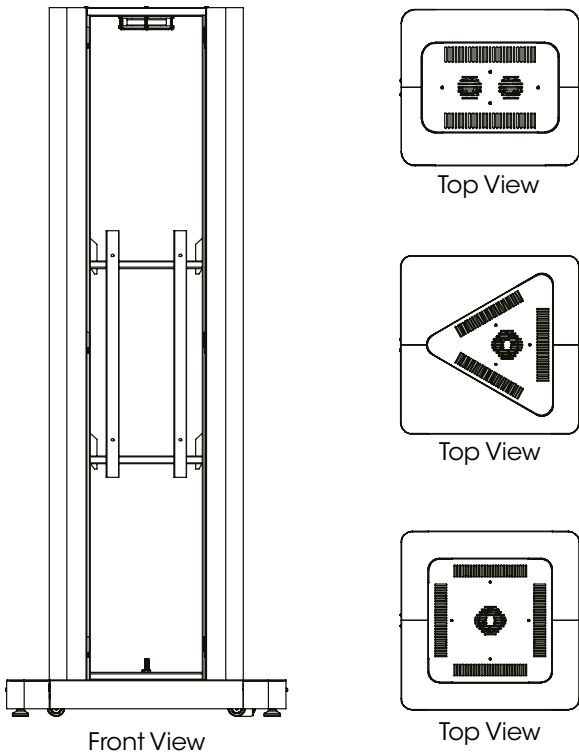


LG-WMF86BH

Technical Specifications					
	DISPLAY SIZE	DIMENSIONS	MOUNT WEIGHT	VESA PATTERN	MAX WEIGHT
LG-WMF86BH	Dedicated	818 x 222 x 24.5mm	12lb (5.3kg)	600 x 200mm	45lb (20.5kg)

# Totem Kiosk - Single To Quad Display

- Specifically designed to accommodate the LG Ultra Stretch Signage 86BH5C the totem kiosk is also available to hold one, two, three or four displays
- Arrives fully assembled to simplify installation of components and reduce set-up time
- Minimalistic, curved design accentuates the digital content and fits into any retail, commercial or hospitality setting
- Opening in base to route electric and data cables and media players
- Thermostat fan exhausts heat and runs virtually unheard - approximately (44dB)
- Radius corner base covers the four low profile rubber coated casters, which allows the kiosk to be maneuvered easily
- Four adjustable padded feet stabilise the kiosk on uneven surfaces
- Supports a wide range of aesthetic options, including multiple colors to best match the environment or promote brand strategy



Technical Specifications					
	DISPLAY SIZE	KIOSK DIMENSIONS	KIOSK WEIGHT	DISPLAY WINDOW	MAX WEIGHT
KIP586-1LG(-S)-EUK	86"	660 x 2306 x 571mm	144lb (65.3kg)	355 x 2306mm	45lb (20kg)
KIP586-2LG(-S)-EUK	2 x 86"	660 x 2306 x 571mm	125lb (56.7kg)	355 x 2306mm x 2	90lb (41kg)
KIP586-3LG(-S)-EUK	3 x 86"	826 x 2306 x 826mm	155lb (70.3kg)	355 x 2306mm x 3	135lb (61kg)
KIP586-4LG(-S)-EUK	4 x 86"	826 x 2306 x 826mm	169lb (76.7kg)	355 x 2306mm x 4	180lb (81kg)

# Providing AV Solutions for any Application

With over 50 years experience in manufacturing high quality mounts and AV solutions, Peerless-AV has the knowledge and expertise that installers rely on to support a successful and profitable project. We cater for a number of different applications from flat panel wall mounts and award-winning quick release video wall solutions to the versatile Modular Series and a comprehensive collection of stylish kiosks.



Video Wall Mounts



VW Trolley & Stands



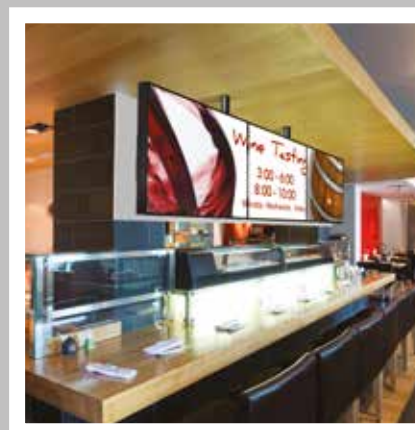
Modular Series



Kiosk Collection



Video Conference Trolley



Linear Array

**peerless-AV**<sup>®</sup>

Unit 3, Watford Interchange, Colonial Way,  
Watford, Hertfordshire, WD24 4WP, UK

T: 01923 200 100

F: 01923 200 101

E: [info.eu@peerless-av.com](mailto:info.eu@peerless-av.com)

W: [www.peerless-av.com](http://www.peerless-av.com)