

DS-VW765-LAND



Display size  
**40"-65"**



Max load  
**125lb (57kg)**



**SMARTMOUNT.**

# Full-Service Video Wall Mount - Landscape

FOR 40" TO 65" DISPLAYS

Peerless-AV's Full-Service Video Wall Mount is easy to configure, quick to install and a snap to maintain. Create any configuration imaginable, but leave the tedious calculations to the custom wall plate spacers. The mount's innovative design is loaded with time-saving features like no-tool-required micro-adjustments and easy-access to any display for quick serviceability.

*The DS-VW765-LAND's pull-out/prop-open mechanism provides quick serviceability and easy-access, so you can achieve a seamless video wall in no time*



## Additional Features

- ✓ Modular mount for unlimited video wall display configurations
- ✓ Displays click securely into place against the wall with spring-loaded mechanism
- ✓ Displays and mounts sit flush against the wall for a clean side appearance
- ✓ Pull-out/prop-open mechanism provides quick service access
- ✓ Integrated cable management tie-backs make display-to-display cabling simple
- ✓ Included security hardware prevents the mount from extending out from the wall
- ✓ Adjustable VESA® mounting hole patterns in 100mm increments, starting at 200 x 200mm up to 700 x 400mm, additional patterns supported with adapter plates

### EASY PULL-OUT SERVICE ACCESS

Easy-to-use pull-out/prop-open mechanism provides quick service access; spring-loaded mechanism securely clicks the display back into place

### NO TEDIOUS CALCULATIONS NO GUESSWORK

Custom wall plate spacers eliminate the guesswork and on-site installation calculations



### OPEN WALL PLATE ARCHITECTURE

Allows for total wall access that increases electrical and cable management options

### NO TOOLS REQUIRED FOR MICRO-ADJUSTMENT

Simple, tool-less micro-adjustments at 8 points seamlessly align the displays

### CLEAN LOOK

Integrated cable management tie-backs make display-to-display cabling easier



Single Unit with Display



Full-Service Access



Tool-less Micro Adjustments



Wall Plate Spacers (Sold separately)



Please visit [peerless-av.com/en-us/patents](http://peerless-av.com/en-us/patents) for patent information.

info@peerless-av.com  
peerless-av.com

**peerless-AV®**

# Model Number

**WARRANTY: Limited 5-year**

**DS-VW765-LAND** SmartMount® Full-Service Video Wall Mount for 40"-65" Displays - Landscape

## Product Specifications

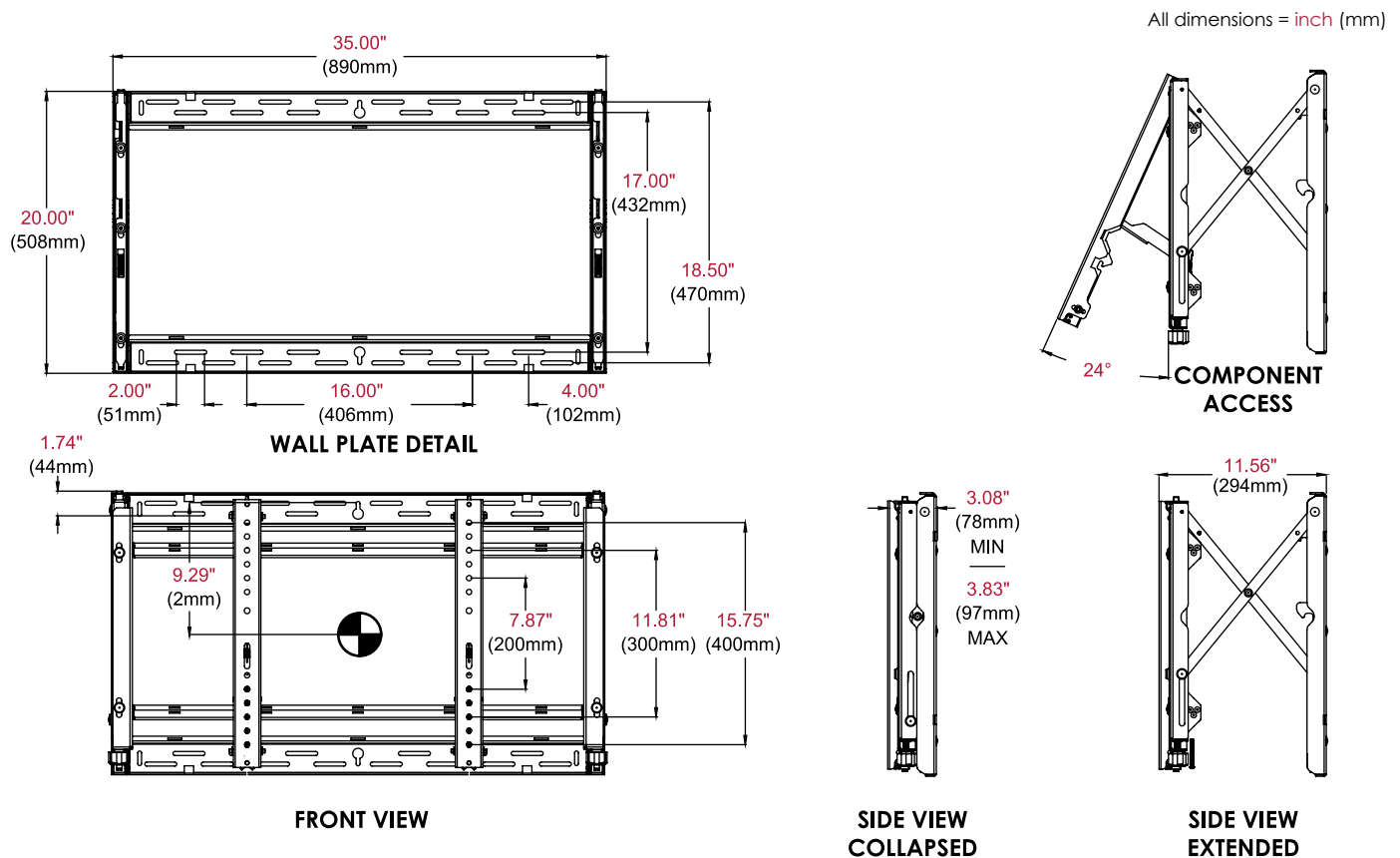
	DIMENSIONS (W X H X D)	PRODUCT WEIGHT	LOAD CAPACITY	FINISH	AVAILABLE COLORS
<b>DS-VW765-LAND</b>	35.00" x 20.00" x 3.08"-3.83" (890 x 508 x 78-97mm)	33.0lb (15kg)	125lb (56.8kg)	Scratch resistant fused epoxy	Black

## Package Specifications

	PACKAGE SIZE (W x H x D)	PACKAGE SHIP WEIGHT	PACKAGE UPC CODE	PACKAGE CONTENTS	UNITS IN PACKAGE
<b>DS-VW765-LAND</b>	36.625" x 21.5" x 3.75" (930 x 546 x 95mm)	37.95lb (17.25kg)	735029278771	Wall mount assembly, mounting attachment rails, fasteners	1

## Accessories

- DS-VWS###:** Wall Plate Alignment Spacers
- DS-ACC765:** Cable Release Kit
- DS-ACC770:** Media Player Mounting Bracket
- ACC-V600800:** Adaptor accessory for 800 x 400mm mounting patterns
- PLP-XXX:** PLP Adaptor Plates



## Architect Specifications

The SmartMount® Full-Service Video Wall Mount - Landscape shall be Peerless-AV model DS-VW765-LAND and shall be located where indicated on the plans. It shall be constructed of heavy gauge steel. The finish shall be scratch resistant black fused epoxy. Assembly and installation shall be done according to instructions provided by the manufacturer.

Visit [peerless-av.com](http://peerless-av.com) to see the complete line of AV solutions from Peerless-AV, including outdoor displays, wireless, kiosks, digital audio, display mounts, projector mounts, carts/stands, and a full assortment of accessories.

**Peerless-AV**  
2300 White Oak Circle  
Aurora, IL 60502 USA  
**(800) 865-2112**  
**(630) 375-5100**  
**Fax: (800) 359-6500**

**Peerless-AV Europe**  
Unit 3 Watford Interchange  
Colonial Way, Watford  
Herts, WD24 4WP  
United Kingdom  
**+44 (0) 1923 200100**  
**Fax: +44 (0) 1923 200101**

**Peerless-AV de México**  
Ave de las Industrias 413  
Parque Industrial Escobedo  
Escobedo, N.L.,  
Mexico 66050  
**+52 (81) 8384-8300**  
**Fax: +52 (81) 8384-8360**

