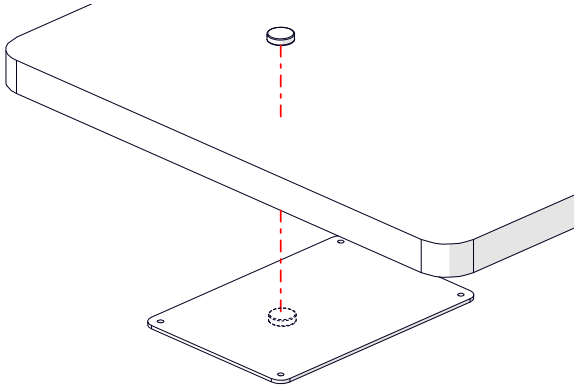


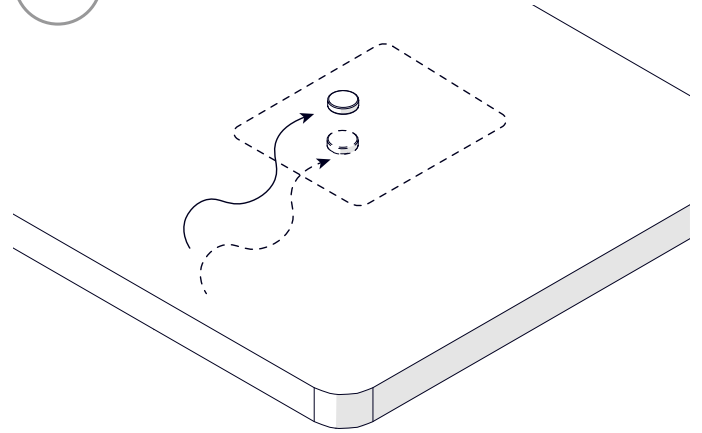
In box magnetic alignment card will work for desks up to 1" (25mm) thick. An electronic alignment guide is separately available (for desks over 1" (25mm) thick)

ARC-H (LD) is designed for surfaces 20-50mm (0.78-2") thick. However, for USA, FCC compliance requires ARC-H to be fitted to workspaces 20-30mm (0.78-1.18") only

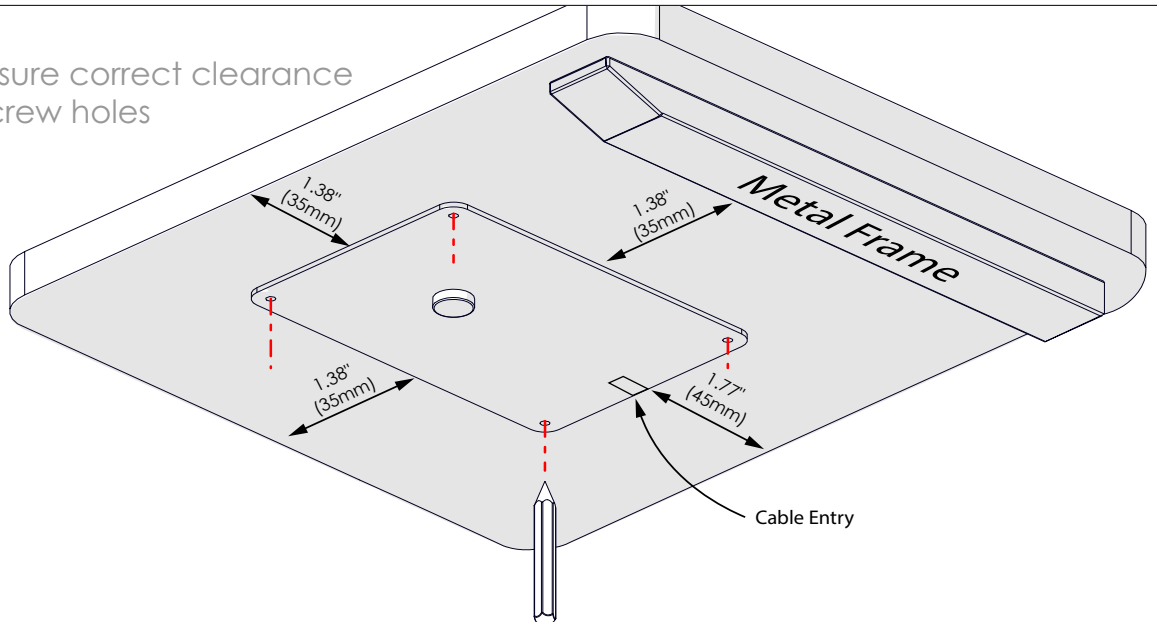
1 Attract magnets (thicknesses up to 25mm / 0.98")



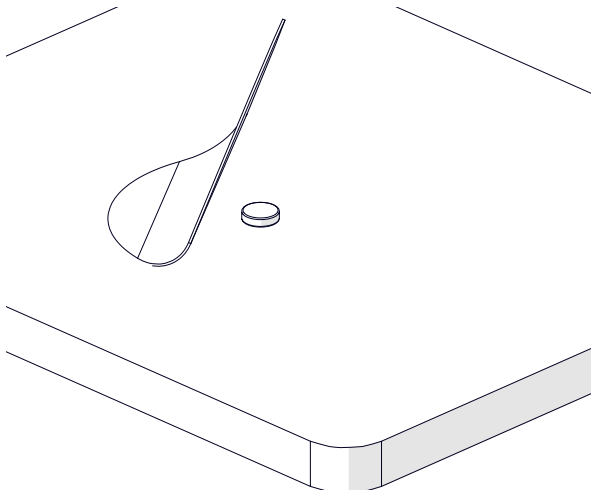
2 Move guide to your desired location



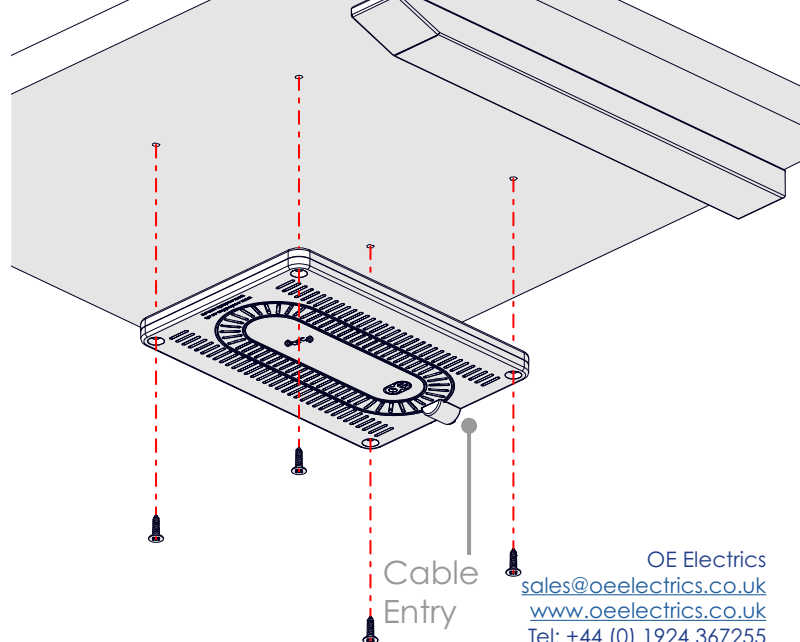
3 Adjust to ensure correct clearance and mark screw holes



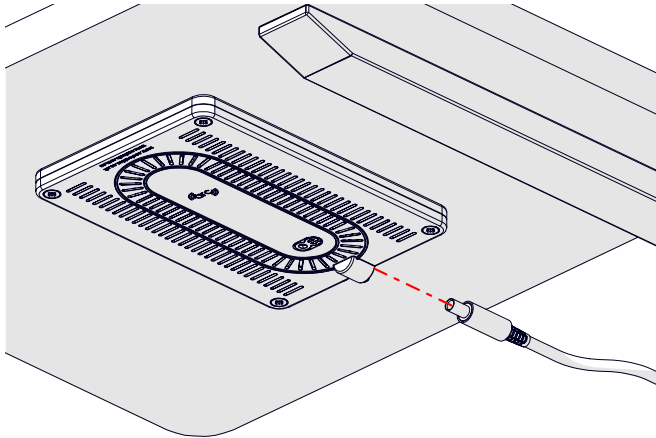
4 Place Resonator Pad where magnet indicated



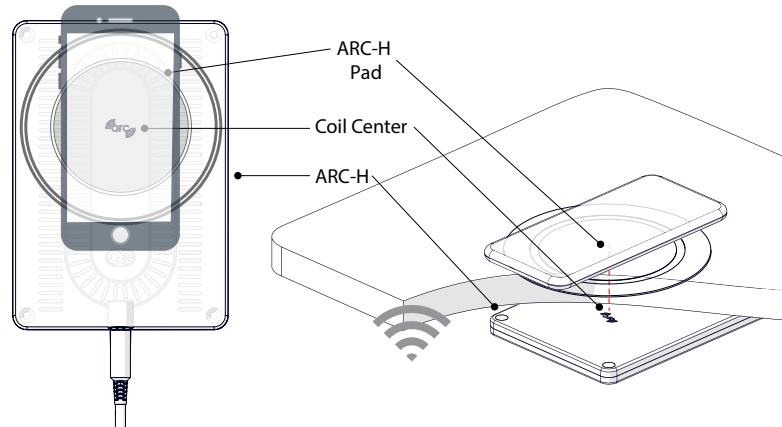
5 Fit ARC-H with tape (provided) or screws



6 Connect power and check for blue LED

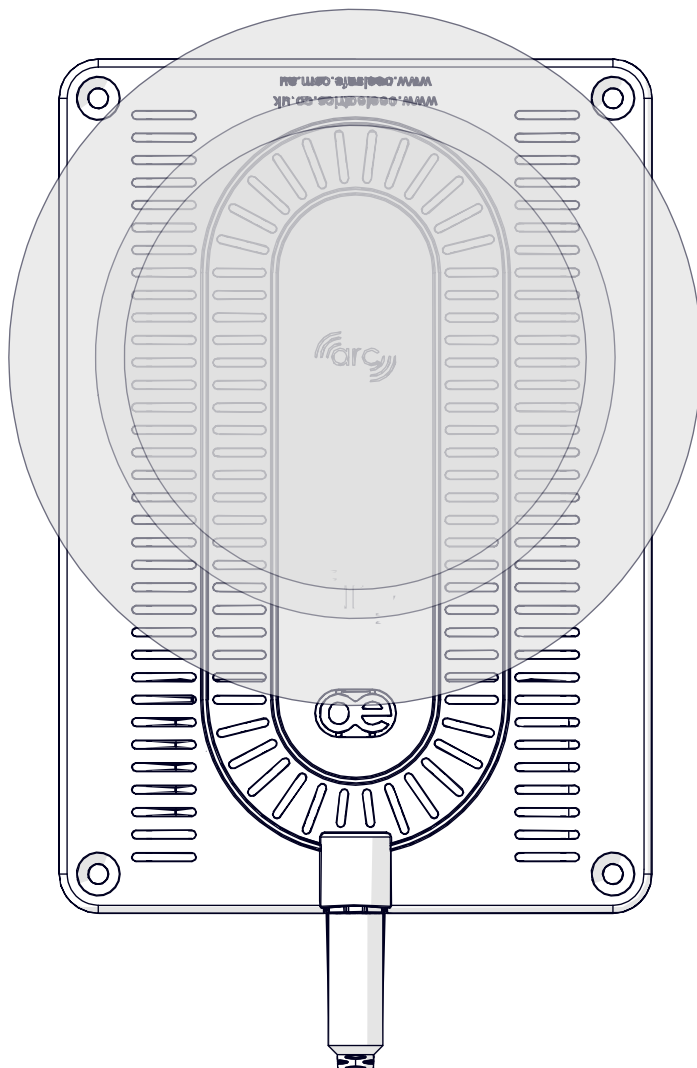


7 Place phone on the Resonator Pad to charge



The ARC logo identifies the coil center which must be aligned with the resonator pad

8 The ARC logo identifies the coil center which must be aligned with the Resonator Pad



9 Common queries / installation problems

Common queries

The phone will not charge when I place the phone directly on the charger, to check it works before installation?

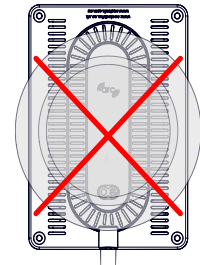
The charger will not charge a phone unless it is separated (and aligned) from the phone by at least 0.8" (20mm)

The magnets will not attract each other through my desk?

The magnets only work up to 1" (25mm). Either route the desk underside to <1" (25mm) thick or call to purchase the Electronic Alignment Guide

Common installation errors

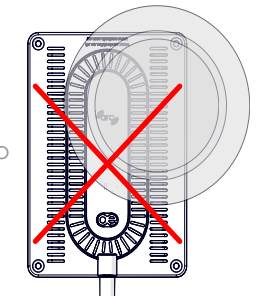
Pad fitted over the center of the charger - WILL NOT WORK



The charging coil is Off-Center, the alignment guide must be used to guarantee accuracy

Pad misaligned - WILL NOT WORK

The alignment guide must be used to guarantee accuracy



LED Functions

Slow on/off blue - Device is on and in stand-by mode

Solid blue - Device in on and in charging mode

Red - Error mode

- **Foreign Object Detected** - Remove metal from near charger
- **Phone is too close** - Move phone greater than 15mm away
- **Plug pack issue** - Use only original plug pack
- **NON-compatible device** - Upgrade phone

