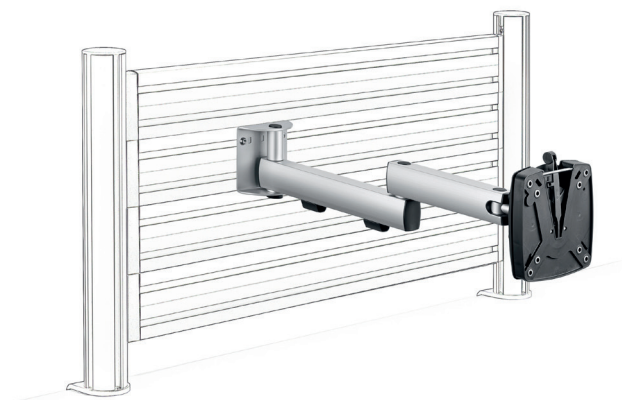




NOVUS SlatWall-folding arm II



- High quality support carriage for mounting a monitor directly to a SlatWall
- For mounting in a slot
- Classy aluminium finish with anodised surfaces
- Easy mounting of the monitor by quick release, suitable for mounting standard 75/100
- Mounting of flat screens up to 10 kg
- Restrict movement by tightening the joints
- Range: 445 mm
- Perfect cable management by cable clips
- Obligatory supplement is a SlatWall element

Version	Art.No.	EAN Code
 silver /  anthracite	964+0119+014	4009729068144



The standard mount allows the straightforward attachment of all monitors with mounting interface standard 75 x 75 or 100 x 100. The value indicates the hole spacing in mm.



The value indicates the maximum bearing capacity of the supporting element or the maximum weight of a mountable monitor in kg.



The value indicates the scope of the product in mm



Novus offers a warranty of 5 years when handled in a proper manner.



The quality statement „German Engineering“ ensures that a product was developed according to German quality standards by our engineering experts. All Novus products carrying the „German Engineering by Novus“ signet are manufactured in our own plants around the world by our own workforce, managed and supervised by our headquarters in Germany.