

NOVUS TSS folding arm III



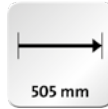
- High quality 2-part articulated arm, infinitely height adjustable
- Easy mounting of the monitor by QuickRelease, suitable for VESA standard 75/100
- Mounting of flat screens up to 15 kg
- Restrict movement by tightening the joints
- Ergonomic monitor setting by various joints
- Range: 505 mm
- Perfect cable management by cable clips
- Removable clamping grips for protection from theft
- Obligatory supplement is a TSS column



This standard mount allows monitors with VESA standard 75x75 or 100x100 to be easily attached. The value indicates the hole spacing in mm.



The value indicates the maximum bearing capacity of the supporting element or the maximum weight of a mountable monitor in kg.



The value indicates the scope of the product in mm




Novus offers a warranty of 5 years when handled in a proper manner.



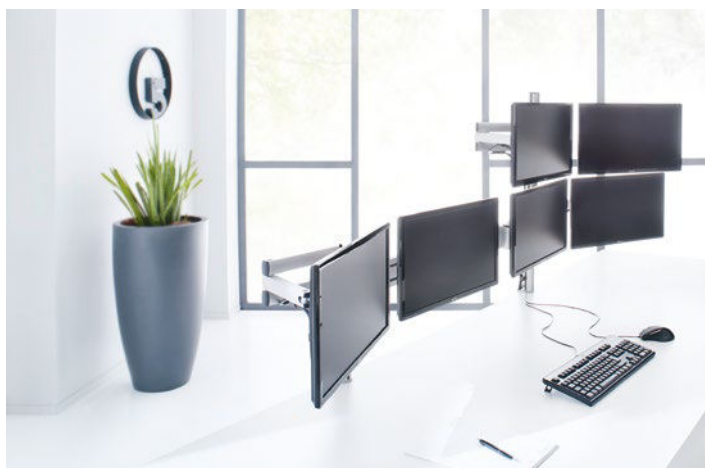
This machine bears the GS approval of product safety.



The quality statement „German Engineering“ ensures that a product was developed according to German quality standards by our engineering experts. All Novus products carrying the „German Engineering by Novus“ signet are manufactured in our own plants around the world by our own workforce, managed and supervised by our headquarters in Germany.

Version	Art.No.	EAN Code
 silver / anthracite	965+0119+000	4009729046975

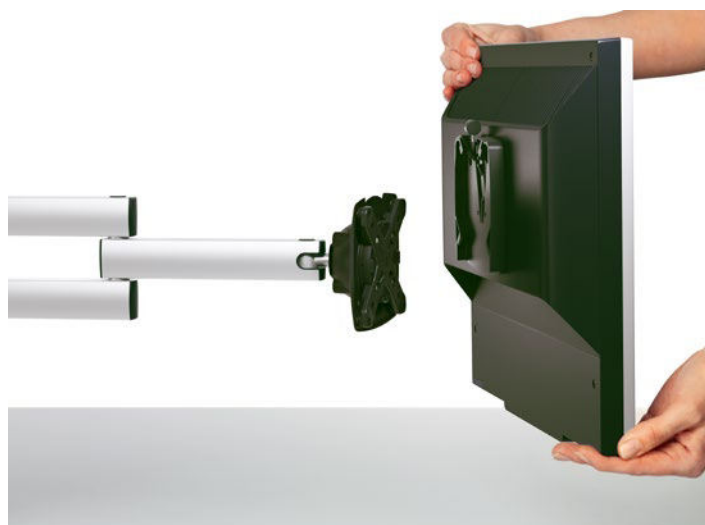
NOVUS TSS folding arm III



the cable holder in the folding arm ensures a safe and tidy cable management



thanks to their multi-part articulated design, TSS folding arms can be turned horizontally through any distance to provide the best possible monitor viewing angle around the column. Depending on column attachment



with NOVUS Quick Release for quick and easy monitor change without tools

NOVUS TSS folding arm III





ball-joint for flexible and precise positioning of the monitor

NOVUS TSS column with drilling screw fitting HD



- Aluminium column with four slots and heavy duty drilling screw mounting
- Drilling screw fitting HD, for desktop thickness 15-70 mm
- Available in length: 445 mm and 845 mm
- Includes two cable clips
- Suitable for all TSS support elements

Version	Art.No.	EAN Code
 Silver	961+1809+000	4009729050408
 Silver	961+1819+000	4009729050422



Drilling screw fitting



all items with universal clamp 1 can be attached to the product



Novus offers a warranty of 5 years when handled in a proper manner.



This machine bears the GS approval of product safety.



The quality statement „German Engineering“ ensures that a product was developed according to German quality standards by our engineering experts. All Novus products carrying the „German Engineering by Novus“ signet are manufactured in our own plants around the world by our own workforce, managed and supervised by our headquarters in Germany.