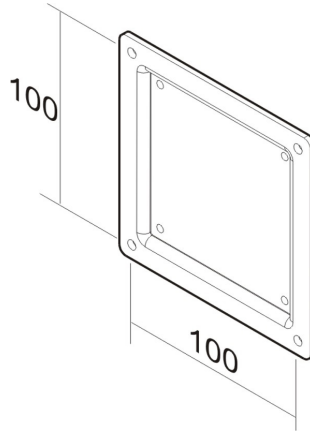


## FPMA-VESA100

Neomounts by Newstar VESA Conversion  
Plate from VESA 75x75mm to 100x100mm  
- Black

## NEOMOUNTS BY NEWSTAR VESA ADAPTER



### SPECIFICATIONS

<b>Color</b>	Black
<b>Height adjustment</b>	None
<b>Max. screen size</b>	30
<b>Max. weight</b>	25
<b>Min. screen size</b>	10
<b>Min. weight</b>	0
<b>Screens</b>	1
<b>Type</b>	Fixed
<b>VESA maximum</b>	100x100 mm
<b>VESA minimum</b>	75x75 mm
<b>VESA pattern</b>	75x75 100x100
<b>Warranty</b>	5 year
<b>EAN code</b>	8717371440213

The Neomounts by Newstar VESA adapter, model FPMA-VESA100 allows a VESA mount with 75x75 mm interface to be used with displays with VESA hole patterns of 100x100. Ideal when flat screen needs different VESA pattern to select wall-, desk- or ceiling mount.

Neomounts by Newstar FPMA-VESA100 is suitable for screens up to 30" (75 cm). The weight capacity of this product is 25 kg each screen. Depth of this adapter is 3 millimetres only. The adapter is suitable for screens that meet VESA hole pattern 100x100 mm. Different hole patterns can be covered using Neomounts by Newstar VESA adapter plates.

All installation material is included with the product.