

FPMA-DTB200

SPECIFICATIONS

GENERAL

Min. screen size*	10 inch
Max. screen size*	24 inch
Min. weight	0 kg (per screen)
Max. weight	10 kg (per screen)
Screens	6
VESA minimum	75x75 mm
VESA maximum	100x100 mm
Desk mount	Clamp

FUNCTIONALITY

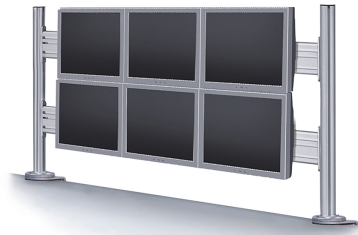
Type	Fixed
Height adjustment	0-70 cm
Depth adjustment	8 cm
Adjustment type	Manual

INFORMATION

Color	Silver
Main material	Aluminium
Warranty	5 year
EAN code	8717371442279

*Please note: The inch sizes stated are just an indication, combined with the weight and VESA sizes. The maximum weight and VESA size are absolute restrictions for the products and should not be exceeded.

NEOMOUNTS BY NEWSTAR TOOLBAR DESK



Neomounts



Neomounts

Neomounts by Newstar Desk Mount Toolbar for up to six 10-24" monitor screens - Silver

The Neomounts by Newstar toolbar desk mount, model FPMA-DTB200 is a 130 cm wide toolbar for 6 (maximum) flat screens up to 24". The toolbar allows to slide flat screens from left to right across the bar. The toolbar is supplied without flat screen mounts. The flat screen mount must be purchased separately. One bracket needed each screen. This toolbar is a great choice for space saving placement on desks using a desk clamp.

Different models brackets are offered to be combined with the toolbar:

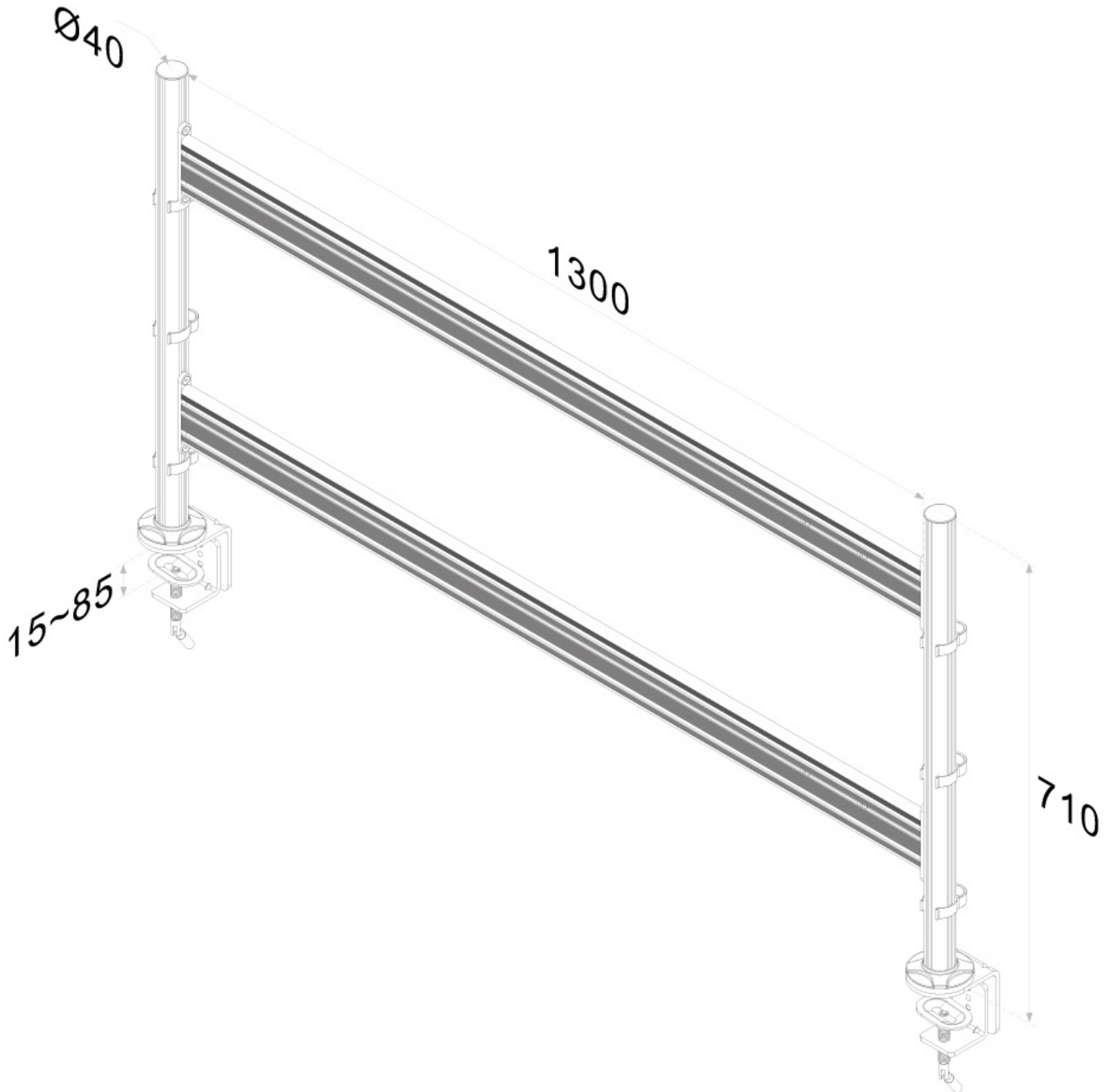
FPMA-DTBW200 offers Neomounts by Newstar's versatile tilt (180°), rotate (270°) and swivel (180°) technology allows the mount to change to any viewing angle to fully benefit from the capabilities of the flat screen. Depth 8 centimetres. FPMA-DTBW200 has two pivot points and is suitable for screens up to 24" (61 cm). The weight capacity of this mount is 10 kg each screen. The toolbar mount is suitable for screens that meet VESA hole pattern 75x75. Different hole patterns can be covered using Neomounts by Newstar VESA adapter plates.

FPMA-DTBW910 offers Neomounts by Newstars' unique tilt (180°), rotate (270°) and swivel (260°) technology allows the mount to change to any viewing angle to fully benefit from the capabilities of the flat screen. Depth 14 centimetres. FPMA-DTBW910 has one pivot point and is suitable for screens up to 24" (61 cm). The weight capacity of this mount is 12 kg each screen. The toolbar mount is suitable for screens that meet VESA hole pattern 75x75 and 100x100. Different hole patterns can be covered using Neomounts by Newstar VESA adapter plates.

FPMA-DTBW940 offers Neomounts by Newstars' unique tilt (180°), rotate (270°) and swivel (180°) technology allows the mount to change to any viewing angle to fully benefit from the capabilities of the flat screen. Depth adjustable from 0 to 48 centimetres. FPMA-DTBW940 has three pivot points and is suitable for screens up to 24" (615 cm). The weight capacity of this mount is 12 kg each screen. The toolbar mount is suitable for screens that meet VESA hole pattern 75x75 and 100x100. Different hole patterns can be covered using Neomounts by Newstar VESA adapter plates.

FPMA-DTB200

NEOMOUNTS BY NEWSTAR TOOLBAR DESK



Neomounts

Measuring unit: mm